



INSTALLATION INSTRUCTIONS

Product

7160-0554

Revision

REV. C

Form

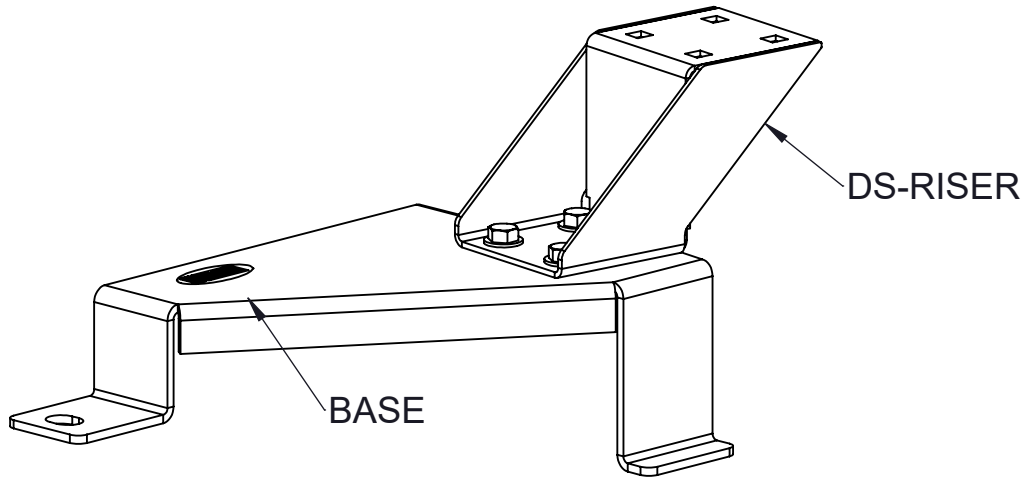
INST-660

VEHICLE BASE - FORD - F150 2015+

Printing Spec: PS-001

▲ IMPORTANT SAFETY INFORMATION

- You must read and follow all installation instructions. Failure to follow installation instructions may result in death or serious bodily injury.
- Keep these installation instructions with the product and readily available in the vehicle for future reference of other users of the product.
- Additional copies of the installation instructions can be obtained from Gamber Johnson or by scanning the QR code located on the product if available.
- DO NOT position the equipment in front of an airbag. Equipment positioned in front of an airbag can cause serious injury or death when airbag is deployed.
- Disconnect vehicle battery before installation.



PARTS LIST

<u>PART NO.</u>	<u>DESCRIPTION</u>	<u>QUANTITY</u>
15306	VEHICLE BASE	1
11519	DS-RISER	1
7120-0215	HARDWARE BAG	1
• 1173-3812	• 3/8-16 X .75 HHCS	• 4
• 3130-0052	• 3/8 FLAT WASHER	• 4

Product Mounting Disclaimer

Gamber-Johnson is not liable under any theory of contract or tort law for any loss, damage, personal injury, special, incidental or consequential damages for personal injury or other damage of any nature arising directly or indirectly as a result of the improper installation or use of its products in vehicle or any other application. In order to safely install and use Gamber-Johnson products full consideration of vehicle occupants, vehicle systems (i.e., the location of fuel lines, brakes lines, electrical, drive train or other systems), air-bags and other safety equipment is required. Gamber-Johnson specifically disclaims any responsibility for the improper use or installation of its products not consistent with the original vehicle manufactures specifications and recommendations, Gamber-Johnson product instruction sheets, or workmanship standards as endorsed through the Gamber-Johnson Certified Installer Program.

© Copyright 2014 Gamber-Johnson, LLC

If you need assistance or have questions, call Gamber-Johnson at 1-800-456-6868

INSTALLATION INSTRUCTIONS:

1. Attach the DS-RISER to the Base using the 3/8 bolts and washers provided.
2. Remove any plastic trim that covers front and rear bolts of passenger seat.
3. Remove the two front seat bolts of the passenger seat and loosen the two rear seat bolts.
4. Lift the seat up and slide the Base in between the seat and floor such the slots on the Base line-up with the seat bolt holes.
5. Install the two front seat bolts that were removed in step 3 and tighten the rear seat bolts.
6. Install any plastic trim removed in step 2.