



INSTALLATION INSTRUCTIONS

Product
7160-1048

Revision
Rev.A

Form
INST-813

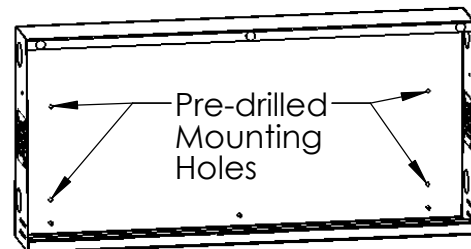
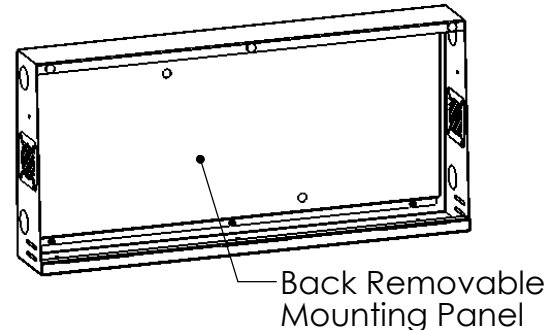
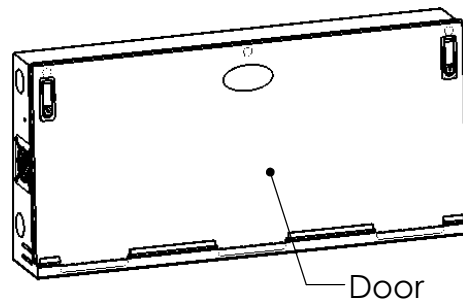
Storage Box - 18"H x 38"L x 6"D

Printing Spec:PS-001

This instruction sheet is for mounting a 7160-1048 storage box in the back of a sport utility type police vehicle. The box mounts to the rear partition. The storage box is 18" tall x 38" long x 6" deep at the bottom and 5" deep at the top. It can mount to the front side directly behind the rear seats (depending on the brand of partition and vehicle) or to the back side in the rear storage area. It has a removable mounting panel for mounting electronic equipment. There are 2" diameter knockouts on each side and the bottom for running wires and openings for ventilation. The side vents can be removed so a fan (supplied by others) can be mounted in its place. The door latches are key lockable.

Installing the storage box:

1. Remove the door from the box by opening the door and lifting it out of the slots on the bottom side. Set the door aside for now.
2. Remove the back removable mounting panel by removing the (6) 1/4" nylock nuts that hold it in place.
3. Locate the box against the rear partition and field drill 1/4" dia. mounting holes in the partition to match the pre-drilled mounting holes in the back wall of the box. Attach the box to the partition with the 1/4" hardware provided in the hardware bag.
4. Mounting straps can be attached to the sides of the box to raise the box off the floor if needed to avoid partition mounting brackets. See page 2 for mounting strap locations.



Product Mounting Disclaimer

Gamber-Johnson is not liable under any theory of contract or tort law for any loss, damage, personal injury, special, incidental or consequential damages for personal injury or other damage of any nature arising directly or indirectly as a result of the improper installation or use of its products in vehicle or any other application. In order to safely install and use Gamber-Johnson products full consideration of vehicle occupants, vehicle systems (i.e., the location of fuel lines, brakes lines, electrical, drive train or other systems), air-bags and other safety equipment is required. Gamber-Johnson specifically disclaims any responsibility for the improper use or installation of its products not consistent with the original vehicle manufactures specifications and recommendations, Gamber-Johnson product instruction sheets, or workmanship standards as endorsed through the Gamber-Johnson Certified Installer Program.

© Copyright 2017 Gamber-Johnson, LLC

If you need assistance or have questions, call Gamber-Johnson at 1-800-456-6868

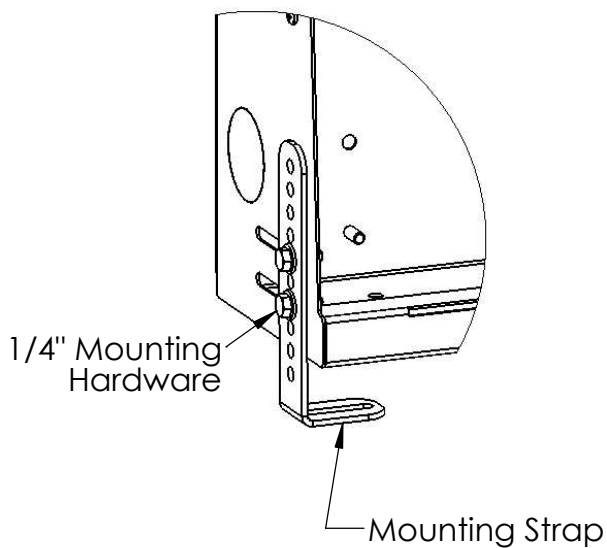
Installing the storage box behind the partition in a Ford Utility:

Note: The Ford Utility has floor bolts that can be used to hold the box to the floor. The mounting straps will only work if the rear partition is located 2.25" to 4.50" from the floor bolts. The mounting straps would take the place of partition floor brackets and let the box sit flat on the floor.

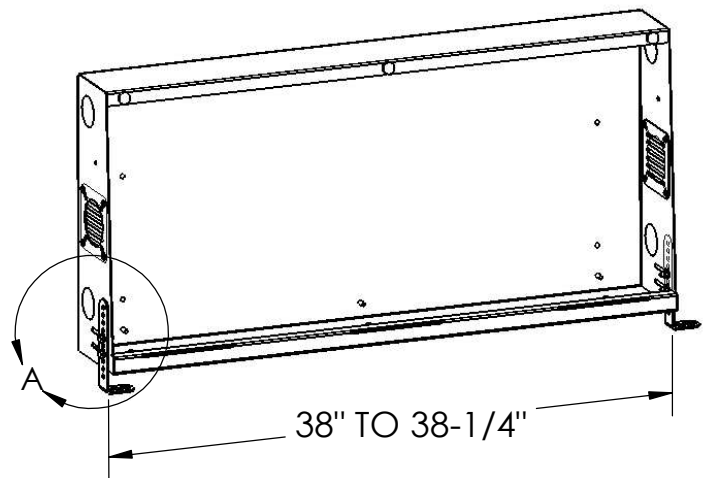
1. Remove the door from the box by opening the door and lifting it out of the slots on the bottom side.
2. Remove the back removable mounting panel by removing the (6) 1/4" nylock nuts that hold it in place.
3. Remove the (2) floor bolts (with 10mm socket) from the vehicle and re-attach with the (2) mounting straps provided with the box. Attach the mounting straps so they are positioned the same direction with 38" to 38-1/4" between them. See image below.
3. Locate the box between the mounting straps and against the rear partition. Field drill 1/4" dia. mounting holes in the partition to match the pre-drilled mounting holes in the back wall of the box. Attach the box to the partition and the mounting straps with the 1/4" hardware provided in the hardware bag.



Floor Bolts



DETAIL A



Attaching the electronics to the mounting panel:

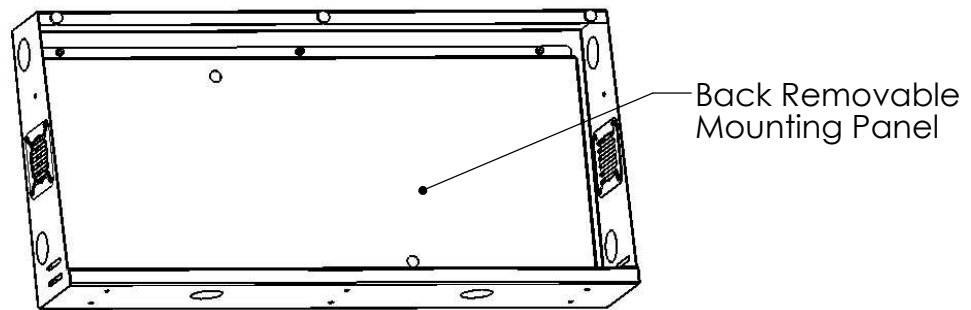
1. Electronics mount to the back removable mounting panel. This panel lets the end user mount equipment outside the vehicle for ease of installation. The pre-assembled panel can then be installed into the box.

Note: Make a plan of how you are going to route the wires so cable management holes can be pre-drilled into the mounting panels before being reinstalled into the box.

2. Reattach the mounting panel (with the attached electronic equipment) with the 1/4" nylock nuts that were previously removed.

3. The box has (6) 2" diameter knockouts. 2 on each side and 2 on the bottom for routing the wires into the box. There are (2) snap bushings located in the hardware bag that snap into the knockout openings to protect the wires. Route the wires through the openings and attach to the electrical equipment.

4. Close the door when finished. The latches are key lockable.



Storage box shown mounted in the back of a sport utility police vehicle with the door open to see inside.