



INSTALLATION INSTRUCTIONS

Product
7160-1124

Revision
Rev.A

Form
INST-832

2018 Freightliner Cascadia dash mount

Printing Spec:PS-001

This instruction sheet is for the Gamber-Johnson 2018 Freightliner Cascadia dash mount only. For other products sold by Gamber-Johnson please see their specific instruction sheets.

The 2018 Freightliner Cascadia dash mount is designed to replace the existing dash panel located just to the right of the steering wheel. Remove the existing dash panel by removing the (4) screws that hold it in place.

Existing Dash Panel



2018 Freightliner Cascadia with existing dash panel



2018 Freightliner Cascadia with the Gamber-Johnson 2018 Freightliner Cascadia dash mount and Samsung Tab Active 2 docking station (7160-1005-00)

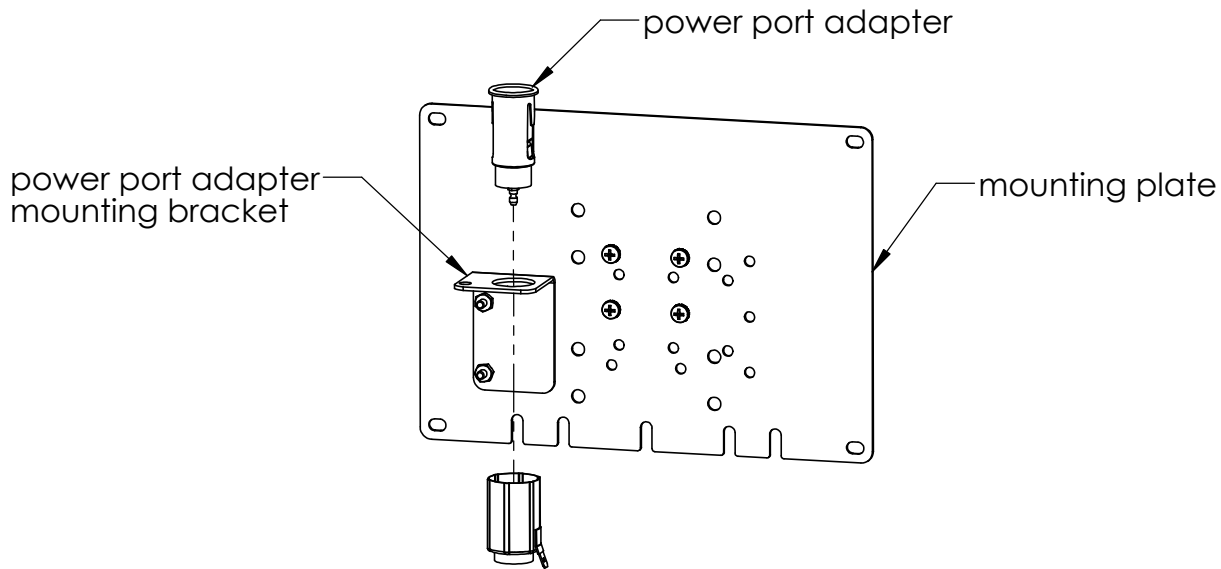
Product Mounting Disclaimer

Gamber-Johnson is not liable under any theory of contract or tort law for any loss, damage, personal injury, special, incidental or consequential damages for personal injury or other damage of any nature arising directly or indirectly as a result of the improper installation or use of its products in vehicle or any other application. In order to safely install and use Gamber-Johnson products full consideration of vehicle occupants, vehicle systems (i.e., the location of fuel lines, brakes lines, electrical, drive train or other systems), air-bags and other safety equipment is required. Gamber-Johnson specifically disclaims any responsibility for the improper use or installation of its products not consistent with the original vehicle manufactures specifications and recommendations, Gamber-Johnson product instruction sheets, or workmanship standards as endorsed through the Gamber-Johnson Certified Installer Program.

© Copyright 2017 Gamber-Johnson, LLC

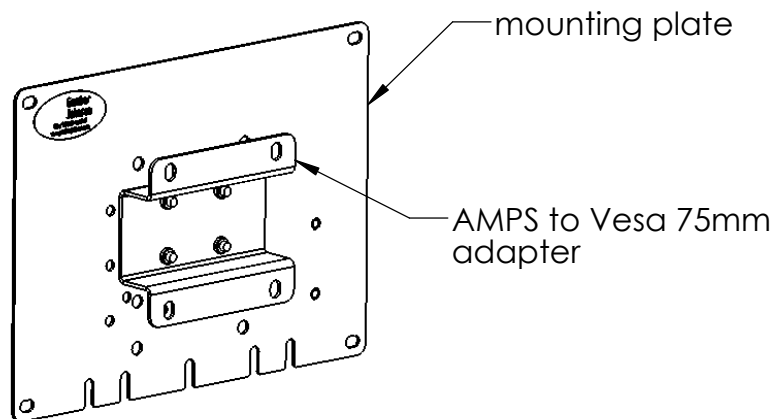
If you need assistance or have questions, call Gamber-Johnson at 1-800-456-6868

The 2018 Freightliner Cascadia dash mount comes with an optional power port adapter that can be added to the back side of the mounting plate for powering computers that use this type of power plug. Attach the power adapter to the mounting bracket on the back side of the mounting plate. Then attach the power supply (purchased separately) wire leads to the power port adapter with the quick connect terminals supplied with the power port adapter.



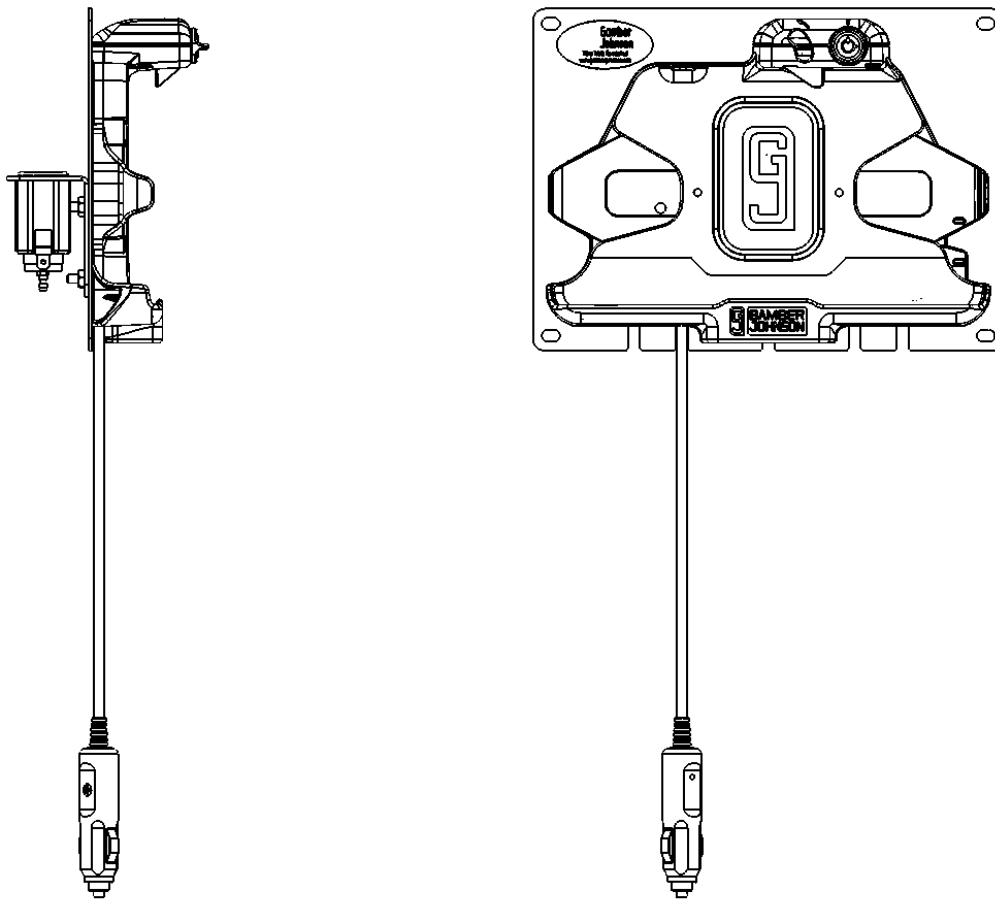
The 2018 Freightliner Cascadia dash mount has multiple AMP's and Vesa 75mm mounting hole locations pre-drilled into the mounting plate for mounting your specific cradle or docking station. Choose the set of holes that best locates your device on the panel.

There is also an AMP's to Vesa 75mm adapter that allows you to offset the cradle or dock 1" from the mounting plate. This is sometimes needed for clearance of hold-down clips or access to the lock on some Gamber-Johnson cradles or docks.



Example of dock mounted directly to the mounting plate:

Mounting plate with a Gamer-Johnson 7160-1005-00 Samsung Tab Active 2 docking station. Attach the completed assembly to the dash using the 4 screws that held the original vehicle dash panel in place.



Example of cradle mounted with the AMP's to Vesa 75mm adapter:

Mounting plate with a Gamer-Johnson 7160-0774 TabCruzer Mini universal cradle. Attach the completed assembly to the dash using the 4 screws that held the original vehicle dash panel in place.

