



INSTALLATION INSTRUCTIONS

Product

7160-1283 & 7160-1283-01

KENWORTH T680 DASH MOUNT

Revision

Rev.A

Form

INST-863

Printing Spec:PS-001

This instruction sheet is for the Gamber-Johnson Kenworth T680 dash mount. For other products sold by Gamber-Johnson please reference their specific instruction sheets.

The Kenworth T680 dash mount is designed to replace one of the two existing square dash panels.

Attaching the mount:

1. Remove the large dash panel from the dash by pulling outward. It is held in place with spring clips.
2. Determine which of the two square panels you want to replace. The new dash plate will fit in either location.
3. Remove the (4) panel mounting screws and remove the chosen panel.

large dash panel



square dash panel locations



panel mounting screws

Product Mounting Disclaimer

Gamber-Johnson is not liable under any theory of contract or tort law for any loss, damage, personal injury, special, incidental or consequential damages for personal injury or other damage of any nature arising directly or indirectly as a result of the improper installation or use of its products in vehicle or any other application. In order to safely install and use Gamber-Johnson products full consideration of vehicle occupants, vehicle systems (i.e., the location of fuel lines, brakes lines, electrical, drive train or other systems), air-bags and other safety equipment is required. Gamber-Johnson specifically disclaims any responsibility for the improper use or installation of its products not consistent with the original vehicle manufactures specifications and recommendations, Gamber-Johnson product instruction sheets, or workmanship standards as endorsed through the Gamber-Johnson Certified Installer Program.

© Copyright 2018 Gamber-Johnson, LLC

If you need assistance or have questions, call Gamber-Johnson at 1-800-456-6868

Attaching the mount continued:

4. The Kenworth T680 dash mount comes with an optional power port that can be added to the back side of the mounting plate for powering computers that use that type of power plug. Attach the power port to the mounting bracket, then attach the power supply (purchased separately) to the power port with the quick connect terminals supplied with the port.

5. The Kenworth T680 dash plate has 4 cutouts on the bottom side. This is for routing cables (power cable or other types of peripheral cables). The device power supply can be mounted inside the dash with just the cable end sticking out.

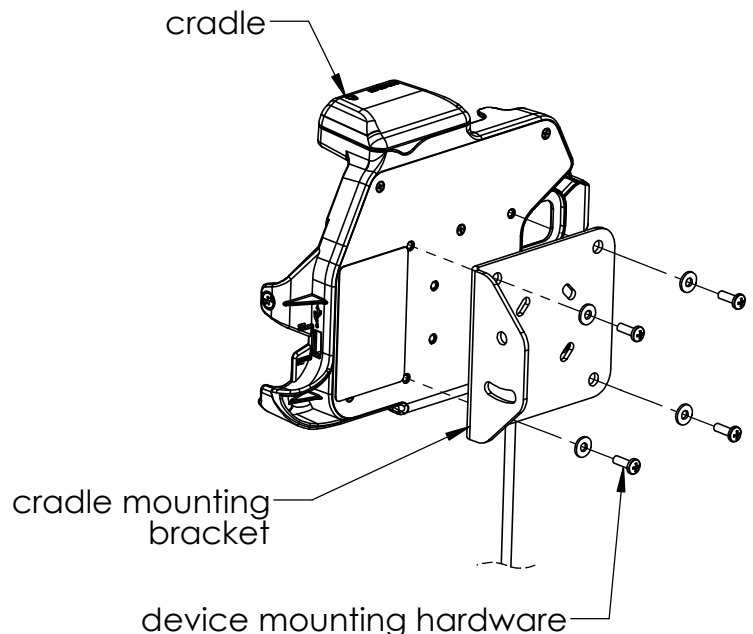
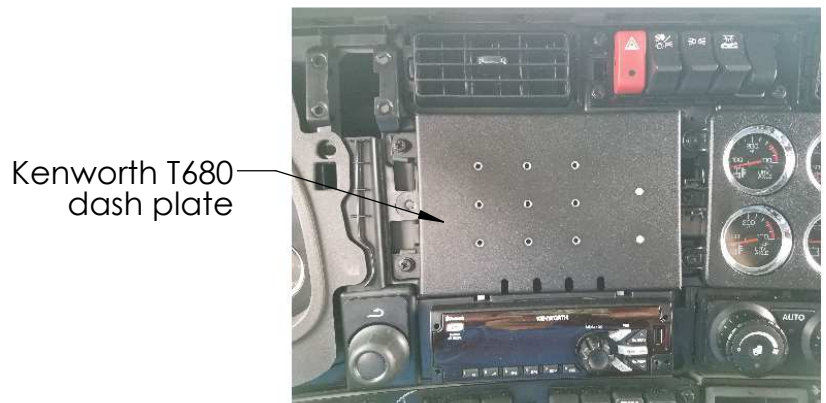
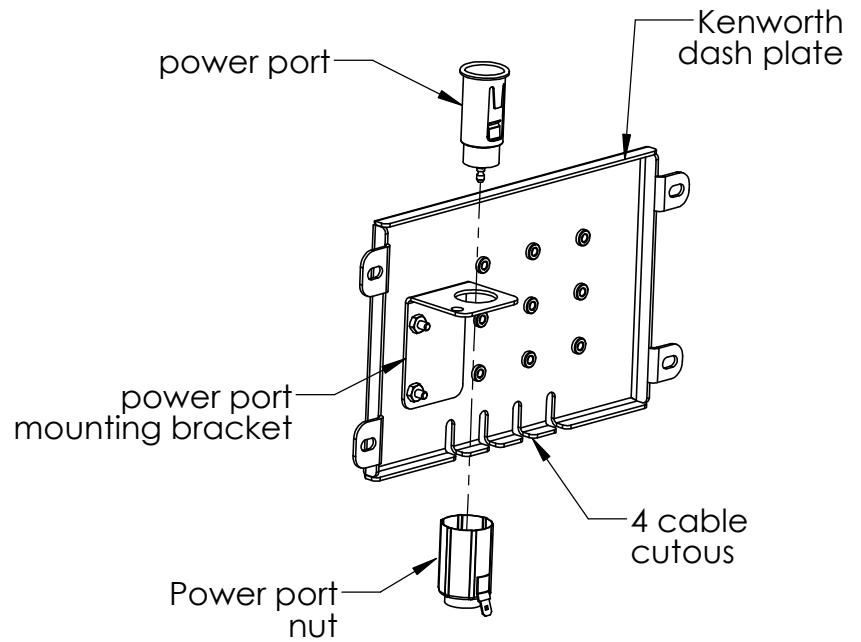
6. Attach the Kenworth T680 dash plate to the dash with the mounting screws removed in step 3. Make sure the power cable and/or peripheral cables are hanging out of the dash (through the cutouts) after the plate is attached.

7. Reattach the large dash panel removed in step 1.

Note If you purchased 7160-1283 go to step 8. If you purchased 7160-1283-01 skip to step 9.

8. If you purchased 7160-1283 you will need to add a Zirkona for Big Rigs mount (see Logistic Accessories on the the Gamber-Johnson website) or some other type of mount with the AMP's hole pattern to complete your solution.

9. If you purchased 7160-1283-01, attach the cradle mounting bracket to the computer cradle with the hardware supplied with the cradle.

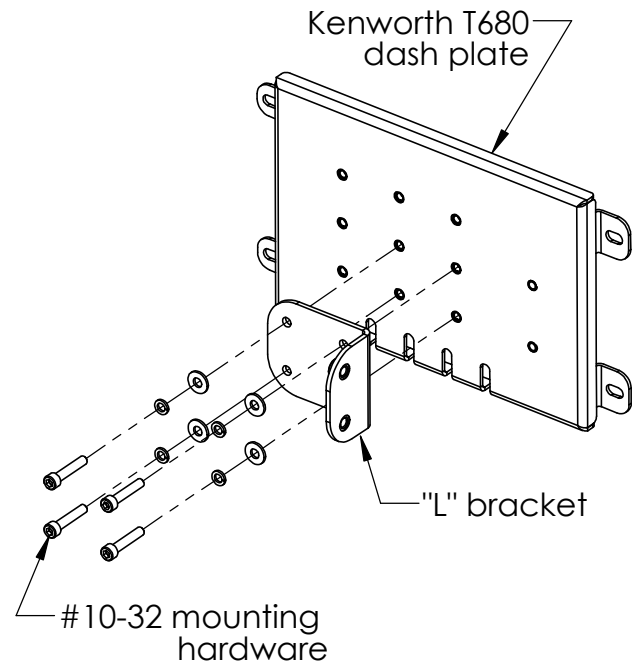


Attaching the mount continued:

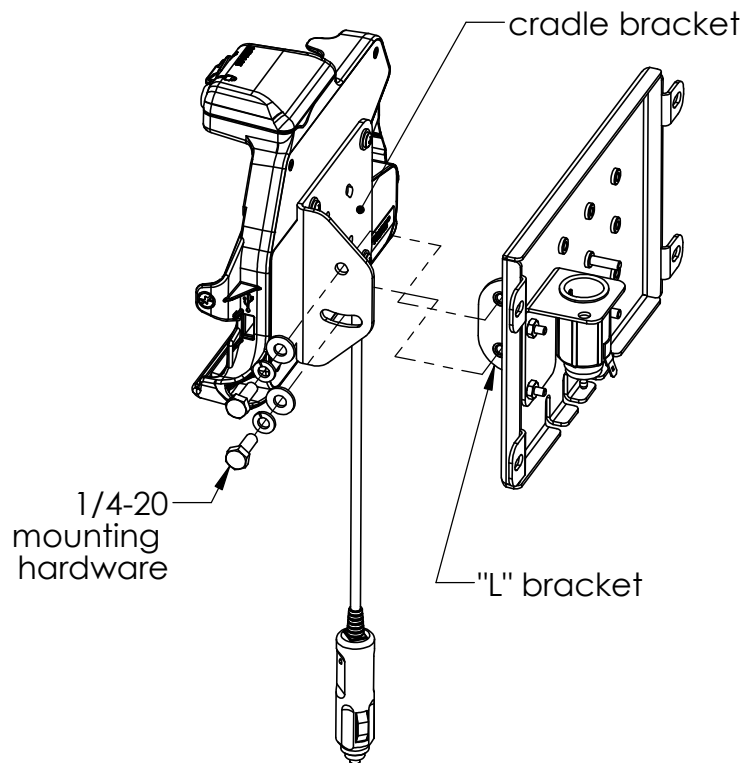
10. Attach the "L" bracket to the Kenworth T680 dash plate with the #10-32 mounting hardware found in hardware bag 7120-0863. Pick the set of holes that will best position the device being mounted.

11. Attach the power cable or any peripheral cables to the docking station.

12. Attach the cradle bracket to the Kenworth T680 dash bracket with the 1/4-20 hardware supplied in hardware bag 7120-0863. Position the dock to the desired angle and tighten in place.



7160-1283



7160-1283-01



7160-1283-01