



INSTALLATION INSTRUCTIONS

Product

7160-1973
7160-1973-01
7160-1980

ON-DASH, FORD PI UTILITY 2025+
TOP-OF-DASH, FORD PI UTILITY 2025+

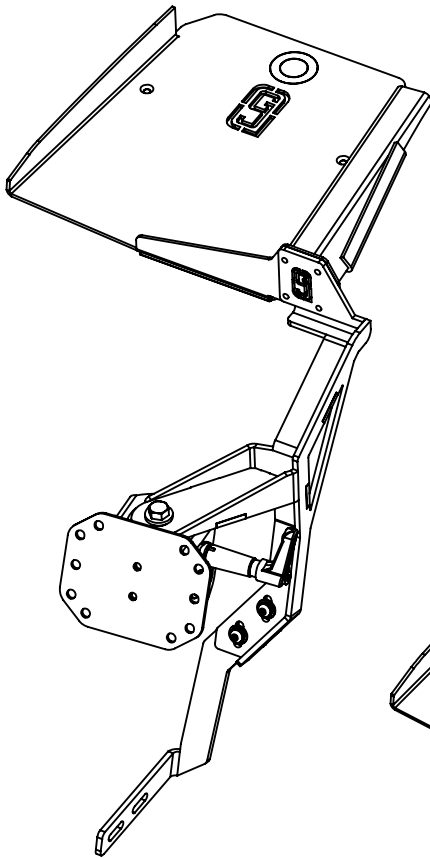
Revision

Rev A

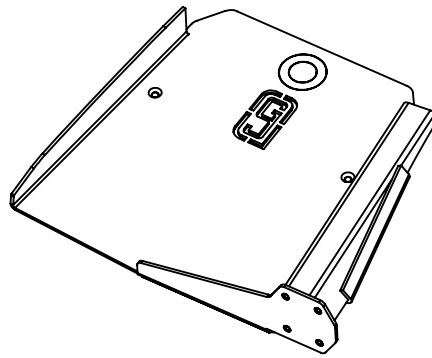
Form

INST-1174

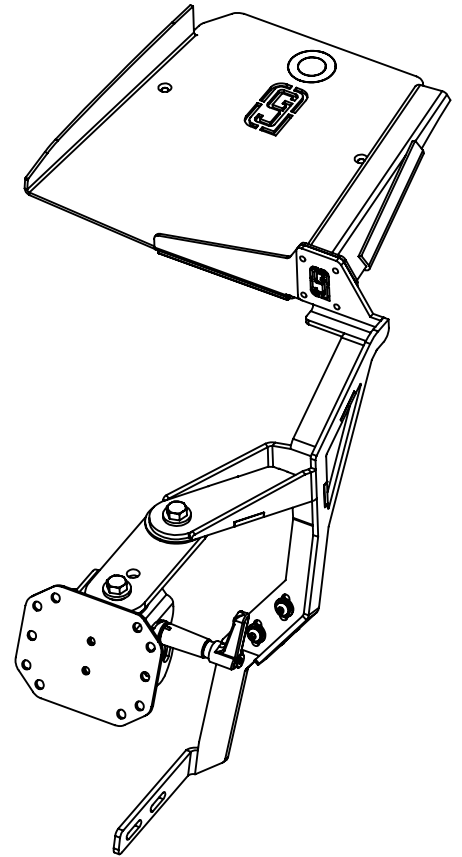
Printing Spec: PS-001



7160-1973



7160-1980



7160-1973-01

Product Mounting Disclaimer

Gamber-Johnson is not liable under any theory of contract or tort law for any loss, damage, personal injury, special, incidental or consequential damages for personal injury or other damage of any nature arising directly or indirectly as a result of the improper installation or use of its products in vehicle or any other application. In order to safely install and use Gamber-Johnson products full consideration of vehicle occupants, vehicle systems (i.e., the location of fuel lines, brake lines, electrical, drive train or other systems), air-bags and other safety equipment is required. Gamber-Johnson specifically disclaims any responsibility for the improper use or installation of its products not consistent with original vehicle manufactures specifications and recommendations, Gamber-Johnson product instruction sheets, or workmanship standards as endorsed through the Gamber-Johnson Certified Installer Program.

© Copyright 2024 Gamber-Johnson, LLC

If you need assistance or have questions, call Gamber-Johnson at 1-800-456-6868

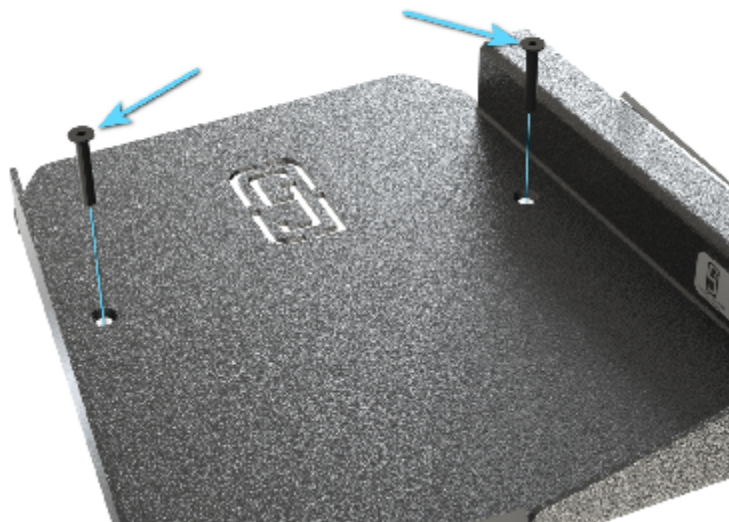


Top-of-Dash Mount Install Instructions:

1. Use a 7mm socket to remove the 2 OEM bolts holding down the top tray (do not remove the tray).



2. Place the GJ top tray inside the OEM tray and reinstall with the provided M5 flat head hardware.

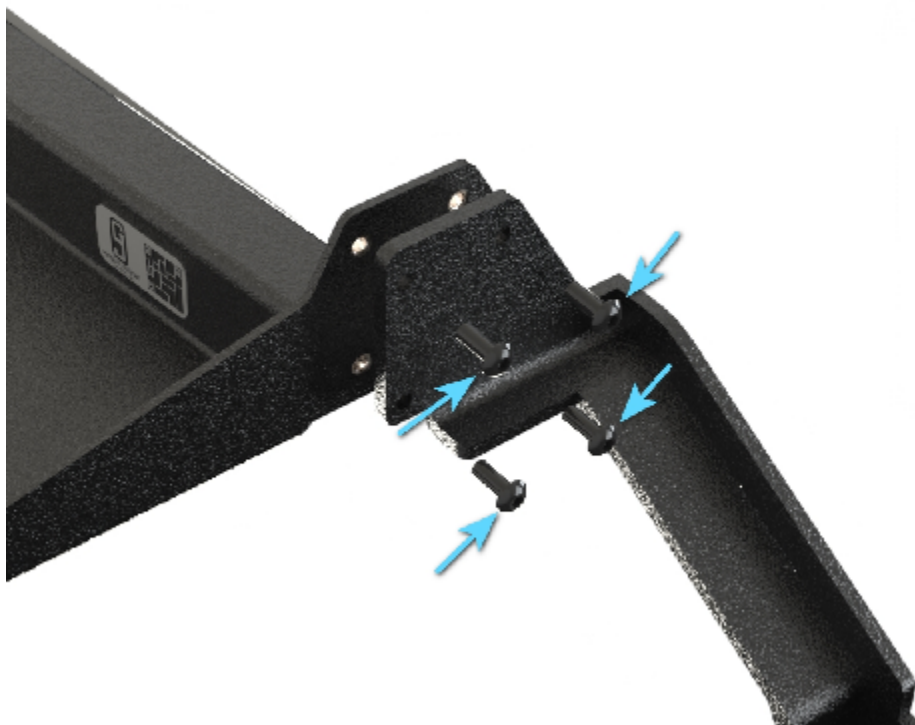


On-Dash Mount Installation:

3. Remove the (2) passenger side top plate screws on the GJ Low Profile Console, these will be replaced with longer screws



4. With the GJ Top-of-Dash installed, install the On-Dash mount with the provided #10-32 button head hardware



5. Ensure the the pre-attached 1/4-20 are loose to allow adjustment

Secure the bracket to the console with the provided 1/4-20 x 0.75" button head hardware

Complete the installation by tightening all the 1/4-20 screws

