



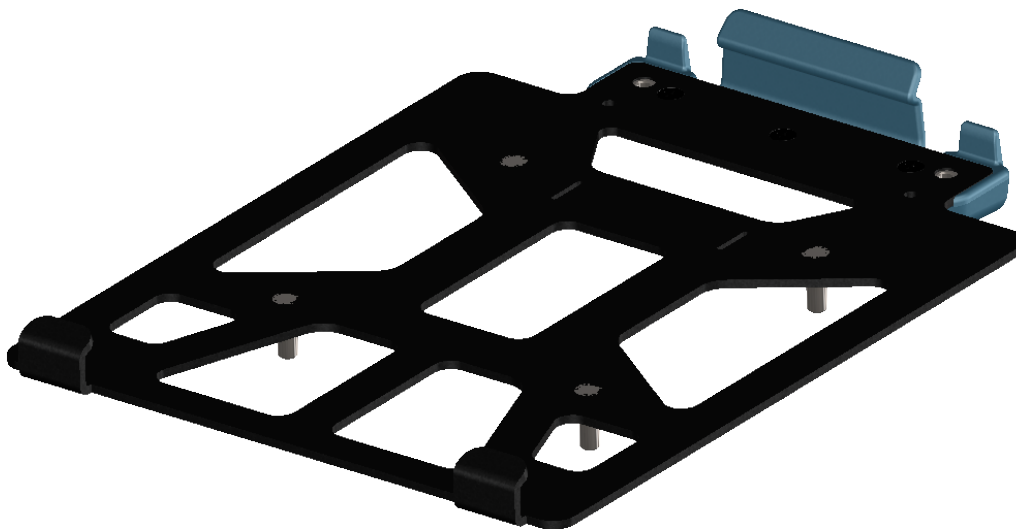
# INSTALLATION INSTRUCTIONS

<b><u>Product</u></b> 7160-1470-00 RUGGED LITE KEYBOARD CRADLE	<b><u>Revision</u></b> Rev. A	<b><u>Form</u></b> INST-965  Printing Spec: PS-001
--	----------------------------------	---

This instruction sheet is for the Rugged Lite Keyboard Cradle only. For instructions on features, set-up, and operation of the Keyboard, please refer to the manual provided with 7160-1449.

This cradle is designed to be compatible with the Gamber-Johnson Rugged Lite Keyboard. Installation instructions for other Gamber-Johnson products are provided with each individual product.

This cradle is designed to be a quick release holder or a permanent fixture for the keyboard. Please see page 3 for operational instructions.



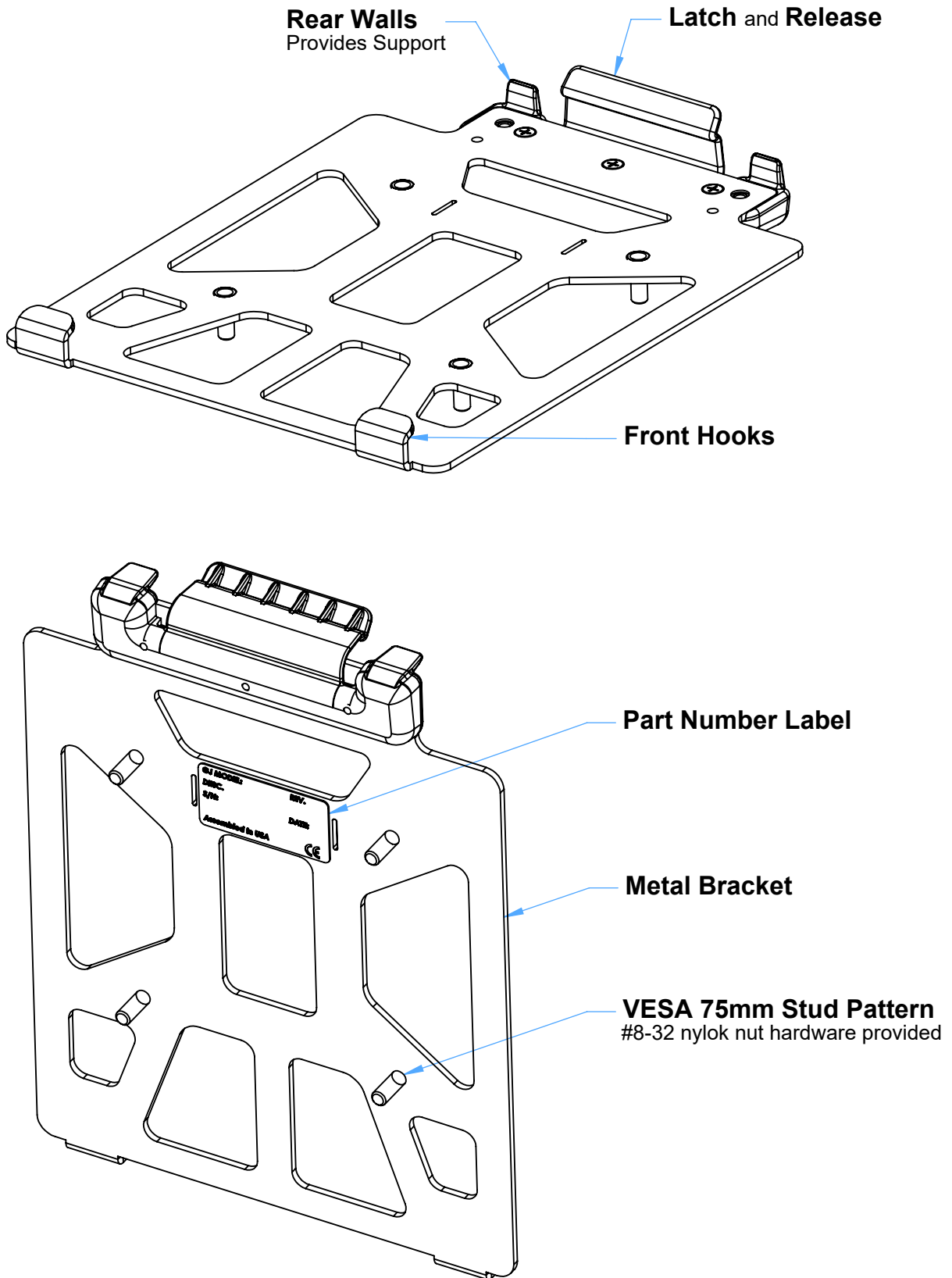
#### Product Mounting Disclaimer

Gamber-Johnson is not liable under any theory of contract or tort law for any loss, damage, personal injury, special, incidental or consequential damages for personal injury or other damage of any nature arising directly or indirectly as a result of the improper installation or use of its products in vehicle or any other application. In order to safely install and use Gamber-Johnson products full consideration of vehicle occupants, vehicle systems (i.e., the location of fuel lines, brakes lines, electrical, drive train or other systems), air-bags and other safety equipment is required. Gamber-Johnson specifically disclaims any responsibility for the improper use or installation of its products not consistent with the original vehicle manufactures specifications and recommendations, Gamber-Johnson product instruction sheets, or workmanship standards as endorsed through the Gamber-Johnson Certified Installer Program.

© Copyright 2020 Gamber-Johnson, LLC

If you need assistance or have questions, call Gamber-Johnson at 1-800-456-6868

# FEATURE IDENTIFICATION



# DOCKING AND UNDOCKING THE KEYBOARD

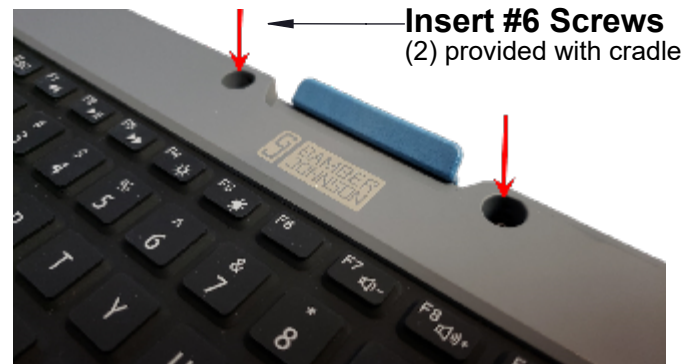
## OPERATION - DOCKING

1. Insert the front of the Keyboard into the Front Hooks, using the front pockets on the Keyboard to guide it into place with the Front Hooks.
2. Rotate the rear of the Keyboard into the cradle. Push down in the center of the Keyboard, near the Gamber-Johnson logo, overcoming the resistance until the blue Latch snaps over the rear pocket of the Keyboard. There will be an audible confirmation from the Latch.



## OPTIONAL - NO REMOVAL OF KEYBOARD

1. Use (2) supplied #6-32 x 0.500" screws to permanently attach the Keyboard to the cradle. Once latched, screw the Keyboard through the two rear holes in the Keyboard. Do not over tighten.
2. Remove (2) screws when Keyboard needs to be removed.



## OPERATION - UNDOCKING

1. With your hand on the rear of the Keyboard, push down on the blue Release until the Keyboard is free to move upward. While the Keyboard is "Un-Latched", pull the rear of the Keyboard upward until it clears the cradle. This can be done right or left handed.

