



# INSTALLATION INSTRUCTIONS

## Product

7160-1584-XX

F110 DOCKING STATION

## Revision

Rev B

## Form

INST-1052

Printing Spec: PS-001

This instruction sheet is for the F110 docking station only. For instructions on features, set-up, and operation of the F110 computer, please refer to the manual provided by Getac with the computer.

This docking station is designed to be used with a variety of Gamber-Johnson mounting systems. Installation instructions for other Gamber-Johnson products are provided with each individual product.

This instruction sheet is for the following products:

- Item No. 7160-1584-00** No RF
- Item No. 7160-1584-03** Tri-RF
- Item No. 7160-1584-20** No RF WITH ACCELEROMETER
- Item No. 7160-1584-23** Tri-RF WITH ACCELEROMETER
- Item No. 7160-1584-30** No RF WITH ACCELEROMETER POWERED RS232
- Item No. 7160-1584-33** Tri-RF WITH ACCELEROMETER POWERED RS232
- Item No. 7160-1584-40** No RF WITH POWERED RS232
- Item No. 7160-1584-43** Tri-RF WITH POWERED RS232



### Product Mounting Disclaimer

Gamber-Johnson is not liable under any theory of contract or tort law for any loss, damage, personal injury, special, incidental or consequential damages for personal injury or other damage of any nature arising directly or indirectly as a result of the improper installation or use of its products in vehicle or any other application. In order to safely install and use Gamber-Johnson products full consideration of vehicle occupants, vehicle systems (i.e., the location of fuel lines, brake lines, electrical, drive train or other systems), air-bags and other safety equipment is required. Gamber-Johnson specifically disclaims any responsibility for the improper use or installation of its products not consistent with original vehicle manufactures specifications and recommendations, Gamber-Johnson product instruction sheets, or workmanship standards as endorsed through the Gamber-Johnson Certified Installer Program.

© Copyright 2022 Gamber-Johnson, LLC

If you need assistance or have questions, call Gamber-Johnson at 1-800-456-6868

# PRE-INSTALLATION RECOMMENDATIONS

## Conduct a "Bench Test"

Gamber-Johnson strongly advises a "bench test" be conducted to verify all electronic and software issues are resolved prior to installation:

1. Make sure the computer is operational by itself.
2. Insert computer into the docking station and verify that the computer is operating in the dock.
3. Interconnect entire assembly and verify start-up of all components, including other equipment (printers, modems, scanners, etc.)

*Gamber-Johnson recommends positioning of all mounts and equipment in the vehicle prior to the actual install to verify that mounting locations are safe and practical.*

## IMPORTANT SAFETY INFORMATION FOR INSTALLERS

Safety is dependent on the proper installation and servicing of this docking station. It is important to read and follow all instructions before installing this product.

To properly install a Gamber-Johnson docking station you must have a good understanding of automotive electrical procedures and systems, along with proficiency in the installation and service of aftermarket vehicle equipment.

There are no adjustments required at any time of the electrical components within the docking station. **Opening the docking station will void the product warranty.**

### During Installation:

**DO NOT** connect this docking station to the vehicle battery until:

1. All other electrical connections are made
2. Mounting of all components is complete
3. Verification that no shorts exist in the entire system

**DO NOT** install equipment or route wiring or cords in the deployment path of any air bag.

When drilling into the vehicle, DO make sure that both sides of the surface are clear of anything that could be damaged.

**CAUTION:** *If wiring is shorted to the frame, high current conductors can cause hazardous sparks resulting in electrical fires or flying molten metal.*

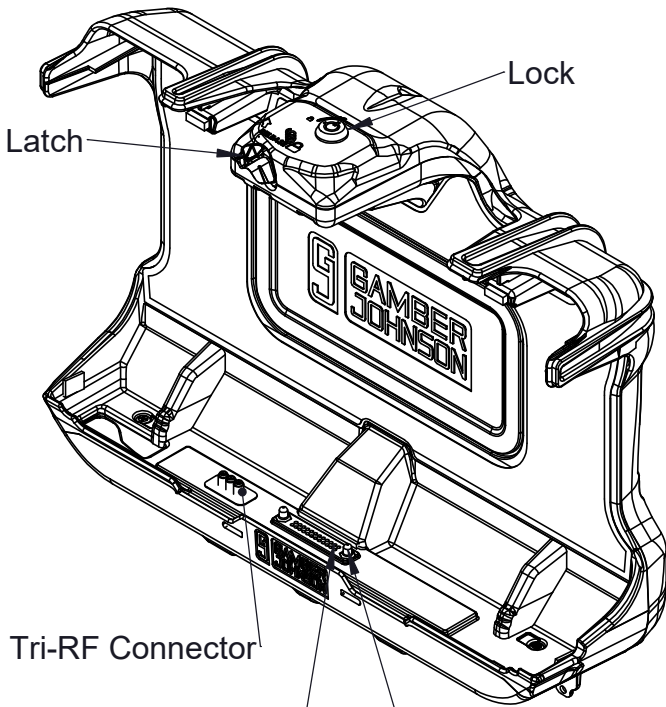
### After installation:

Test the docking station to ensure that it is working properly.

File these instructions in a safe place and refer to them when performing maintenance or re-installing.

**WARNING:** *Failure to follow all safety precautions and instructions may result in property damage, serious injury, or death.*

# F110 DOCKING STATION FEATURE IDENTIFICATION



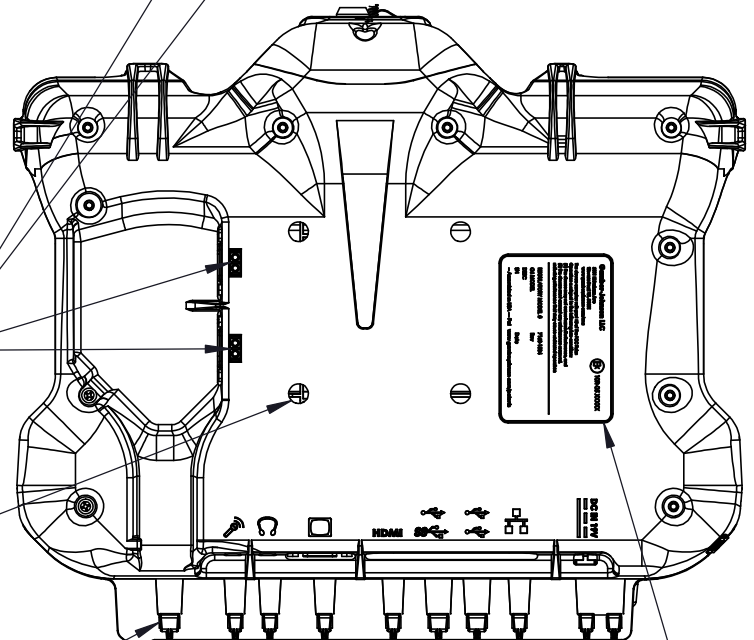
Tri-RF Connector

Connector

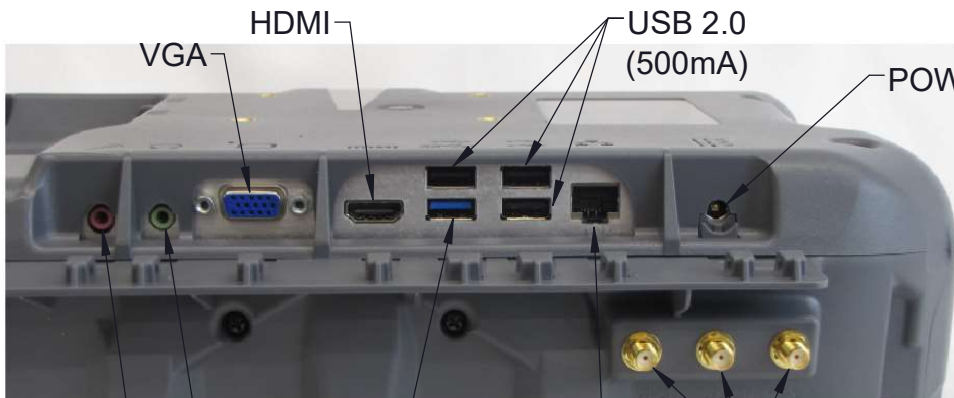
Guide Pins

Serial Ports

\*Note: 7160-1584-3X & -4X Models have power on PIN #9



Serial Label



MICROPHONE

HEADPHONE

USB 3.0 (900 mA)

ETHERNET

ANTENNA PASS-THROUGH (SMA)

# DOCKING AND UNDOCKING THE TABLET

1. Insert the bottom of the tablet into the docking station.
2. Rotate the top of the tablet under the top latch until the tablet is resting inside the main housing. The latch will spring down in front of the tablet to hold it in place.  
(See figures 1, 2, & 3)
3. (Optional) The key lock can now be used for security purposes.

Figure 1



Figure 2



Figure 3



## TO UNDOCK THE COMPUTER

1. Double click the Getac Utilities icon on the desktop(OSDC). Click the Docking button to undock the computer. (FOR 7160-1584-20 through 7160-1584-43)
2. Unlock the dock if locked.
3. Push upward on the thumb knob and pull outward on the top of the tablet until it clears the top latch lift the tablet out of the dock. Make sure handle clears the lock housing.  
(See Figure 4)

Figure 4



# Regulatory Certification Information

Regulatory Model #: 7160-1584

GJ Model #'s: 7160-1584-00, 7160-1584-03, 7160-1584-20, 7160-1584-23, 7160-1584-30, 7160-1584-33, 7160-1584-40& 7160-1584-43

Descriptions: Dock-Getac-F110

## Certifications:

- EN 55022:2010 CISPR 22:2008 Class A
- EN 50498:2010
- EN 50581:2012
- ECE-R10: 2012 Addendum 9, Revision 4

This device complies with Part 15 of the FCC Rules. Operation is subject to the following two conditions. (1) this device may not cause harmful interference, and (2) this device must accept any interference received, including interference that may cause undesired operation.



10R - 06 15905

Gamber-Johnson LLC  
5001 Joerns Dr.  
Stevens Point, WI, 54481, USA  
715-344-3482