



INSTALLATION INSTRUCTIONS

<u>Product</u> 7160-1997 Dell Tablet Desktop Docking Station	<u>Revision</u> Rev B	<u>Form</u> INST-1217 Printing Spec: PS-001
---	---------------------------------	---

This instruction sheet is for the Gamber-Johnson Dell Tablet Docking Station only. For instructions on features, set-up, and operation of any computer or connected device, please refer to the manual provided with those products.

This instruction sheet is for the following products:

- Item No. 7160-1997-00** Dell Desktop Dock, No Power Adapter
- Item No. 7160-1997-10** Dell Desktop Dock, With Power Adapter

The Desktop Dock is designed to handle a 9-36Vdc input and requires a Dell certified power adapter. The standard use voltage is 19Vdc and a minimum 5A (90 watt). Gamber-Johnson offers the following Power Adapters to power the Desktop Dock if needed in other environments. These Power Adapters can be ordered from Gamber-Johnson separately.

- 7300-0752** - AC (100-240Vac input, 19.5v 6a Output), 130w, US plug
Separate AC Power Cords are Available for Purchase: **21963** = UK **21964** = EU
- 7300-0713** - Auto (11-16Vdc input, 20Vdc 6A output) Auto Adapter Input
- 7300-0714** - Auto (11-16Vdc input, 20Vdc 6A output) Bare Wire Input



Product Mounting Disclaimer

Gamber-Johnson is not liable under any theory of contract or tort law for any loss, damage, personal injury, special, incidental or consequential damages for personal injury or other damage of any nature arising directly or indirectly as a result of the improper installation or use of its products in vehicle or any other application. In order to safely install and use Gamber-Johnson products full consideration of vehicle occupants, vehicle systems (i.e., the location of fuel lines, brake lines, electrical, drive train or other systems), air-bags and other safety equipment is required. Gamber-Johnson specifically disclaims any responsibility for the improper use or installation of its products not consistent with original vehicle manufactures specifications and recommendations, Gamber-Johnson product instruction sheets, or workmanship standards as endorsed through the Gamber-Johnson Certified Installer Program.

© Copyright 2024 Gamber-Johnson, LLC

If you need assistance or have questions, call Gamber-Johnson at 1-800-456-6868



DOCKING STATION DRIVER INFORMATION

Docking Drivers are required for some ports of this docking station to work. **NOTE:** Most (or all) drivers will automatically be installed if the device being used has the most up-to-date Windows updates.

Links to any required drivers are available on the Gamber Johnson website:
www.gamberjohnson.com - Support - Docking Drivers

- **HDMI Driver:** Dell D6000 DisplayLink Dock Driver

PRE-INSTALLATION RECOMMENDATIONS

Gamber-Johnson (GJ) recommends the positioning of all mounts and equipment in the desired location prior to the actual install to verify usage.

Gamber-Johnson strongly advises a "bench test" be conducted to verify all electronic and software issues are resolved prior to installation. Follow these steps:

1. Make sure the computer functions by itself as intended.
2. Connect power to the Desktop Dock and make sure it functions with the device.
3. Connect other equipment and verify start-up of all components and specific software (mouse, flashdrives, printers, displays, etc.).

IMPORTANT SAFETY INFORMATION FOR INSTALLERS

Before Installation

Safety is dependent on the proper installation and servicing of this Desktop Dock. It is important to read and follow all instructions before installing this product.

WARNING: Opening the Desktop Dock will void the product warranty. There is no need to adjust the electrical components within the Desktop Dock at any time.

After Installation

Test the Desktop Dock to ensure it is working properly.

1. Do not use the Dock if the power cable or plug is damaged.
2. Do not use the Dock if water contacts the POGO pins or the front / rear ports. Immediately disconnect power and ensure the system is dried.

File these instructions in a safe place and refer to them when performing maintenance or re-installing.

WARNING: Failure to follow all safety precautions and instructions may result in property damage, serious injury, or death.

FEATURE IDENTIFICATION



Rear Support Pad

Tablet Stylus Clearance

Docking Connector

(2x) Tablet Adjustment Tabs

Front Ports (See Page 4)



Rear Ports (see Page 4)

Kensington Lock Location

PORT IDENTIFICATION



Headphone/Aux Jack
(3.5mm)

USB-A 3.0
(1.5A)

USB-C 3.0
(1.5A)

Power and
Docking Indicators
(See Page 5)

(Data, Charging, or Display)



**NOTE: Only ONE Power
Input Can be Used at a Time**

Power Input (Option 1)
(7.4mm Barrel Jack)
9-36Vdc Input

Power Input (Option 2)
USB-C Power Input **ONLY**
9-36Vdc Input

2x USB-A 3.0
(1.5A)

Ethernet (RJ45)
(1gb)
Serial (RS232)
(Powered)

2x HDMI 1.4
(4k Max Output)

USING THE DESKTOP DOCK

OPERATION - Power

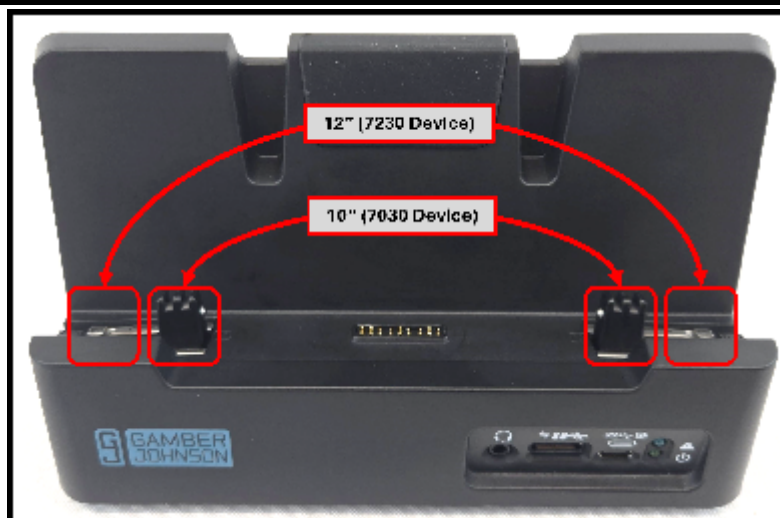
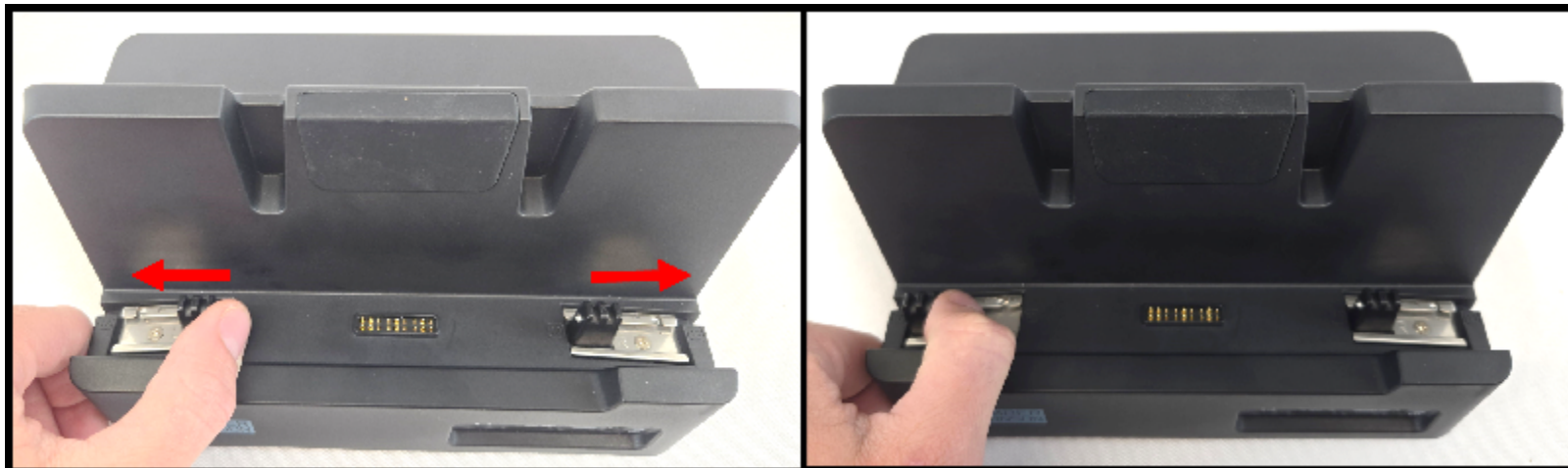
1. Upon applying power, the Power Indicator Light (lower light) will be green. If there is no light, there is no power to the desktop dock.
2. When the device is docked, the Docked Indicator Light (upper light) will be blue. If there is no light, verify there is no debris or damage around the POGO pins of the docking station or device.



OPERATION - Tablet Adjustment Tabs

This Desktop Docking station will accommodate both Dell 7030 (10") and 7230 (12") rugged tablet.

1. Push or Pull the left/right adjustment tabs to set the correct width for the device being used.
2. The inside tab settings are for the 10" tablet (7030) and the outside tab settings are for the 12" tablet (7230).



DOCKING DEVICE INTO DOCKING STATION

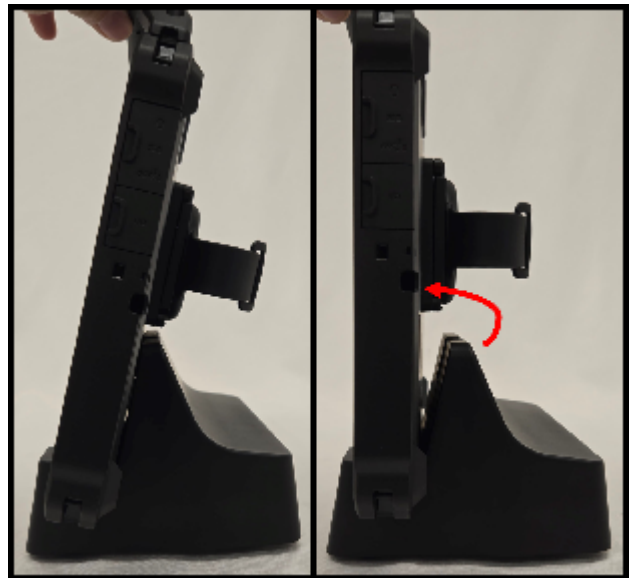
Docking the Device

1. Set the adjustment tabs to the required position for the 7030 or 7230 tablet (See Page 5)
2. With the tablet screen facing forward, line up the center of the tablet with the center of the docking station.
3. Set the bottom of the tablet into the pocket of the docking station and push down to ensure a solid connection.



Undocking the Device

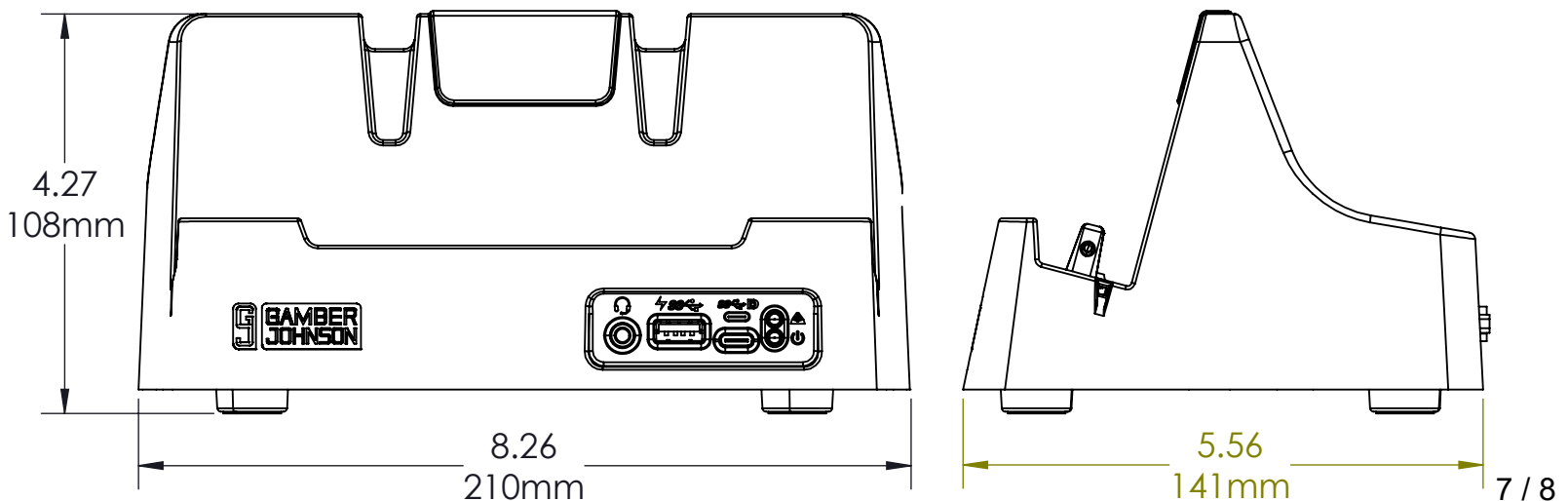
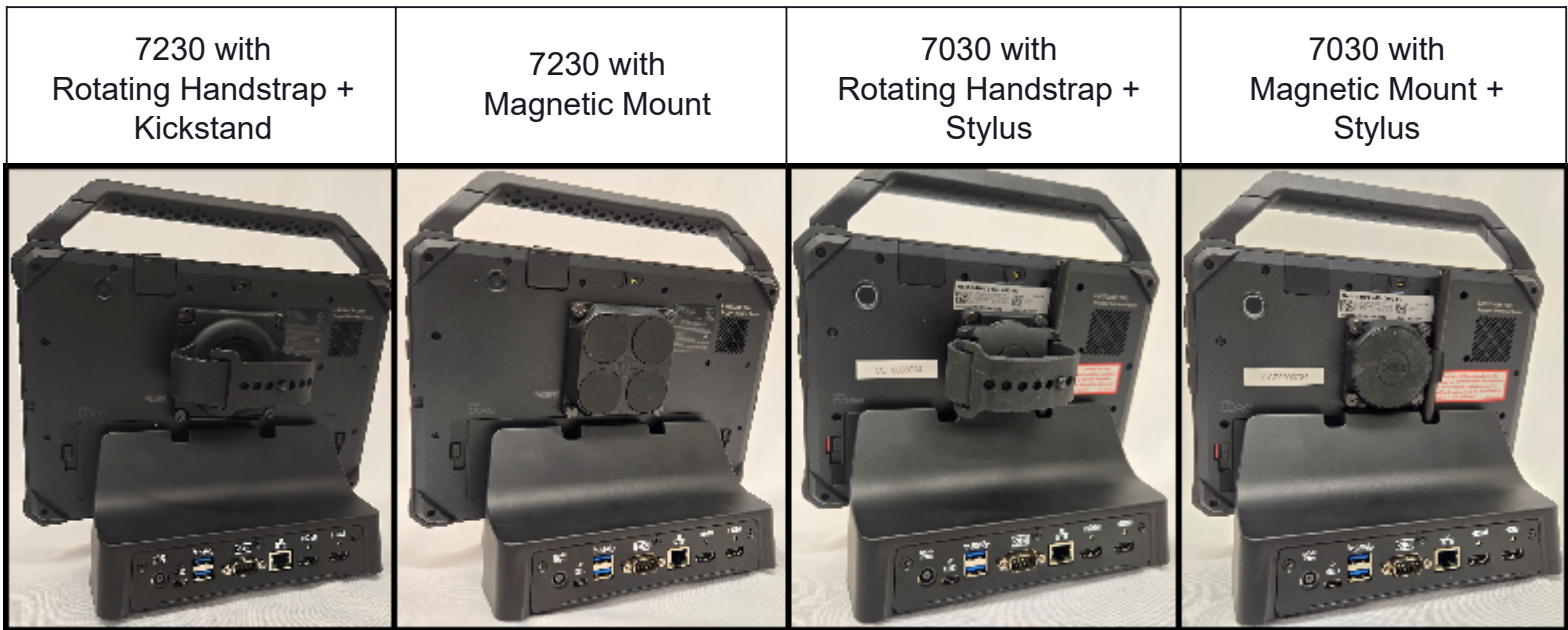
1. (Recommended) Slightly rotate the tablet forward.
2. Pull the tablet up and out of the docking station.



DESKTOP DOCK DETAILS

SPECIFICATIONS

Power Input Range	9-36Vdc
Voltage Rating	12Vdc
Current Rating	5A
Dimensions	8.26" (209.8mm) W x 4.27" (108.5mm) H x 5.56" (141.2mm) D
Weight	3.60 lbs (1.63kg)
Operating Temperature	0°C to 50°C (32°F to 122°F)
Storage Temperature	-20°C to 70°C (-4°F to 158°F)
HDMI Resolution	4k Max Display
Ethernet Specs	10mbs, 100mbs, 1Gbs - Does NOT support PXE Boot or WOL
Compatibility	Windows 8 or newer
Warranty	1 Year
Dell Compatible Accessories (See Below)	Dell 7030 - Rotating Hand Strap, Stylus, Magnetic Mount Dell 7230 - Rotating Hand Strap, Stylus, Magnetic Mount



REGULATORY CERTIFICATION INFORMATION

Regulatory Model #: **7160-1997**

GJ Model #s & Description:

7160-1997-00 Dell Desktop Docking Station - No Power Adapter
7160-1997-10 Dell Desktop Docking Station - With Power Adapter

Certifications:

- EN 55032: 2015 / AC: 2016, Class B
- EN 55035: 2017

Testing:

- 10,000 cycles (Adjustment Tab Features)
- 30,000 cycles (Dock POGO Pins)
- Emissions Testing (see above)
- Environmental Testing (see page 7)

This device complies with Part 15 of the FCC Rules. Operation is subject to the following two conditions: (1) This device may not cause harmful interference, and (2) this device must accept any interference received, including interference that may cause undesired operation.



Gamber-Johnson LLC, 5001 Joerns Dr.,
Stevens Point, WI, 54481, USA, 715-344-3482