

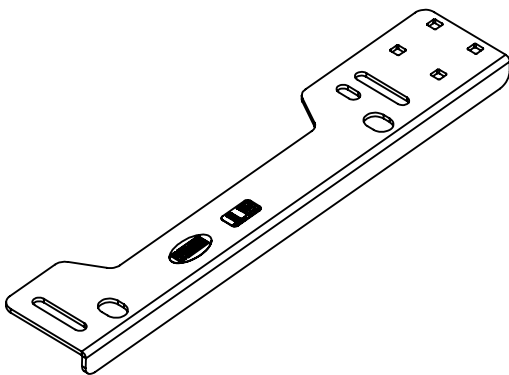


INSTALLATION INSTRUCTIONS

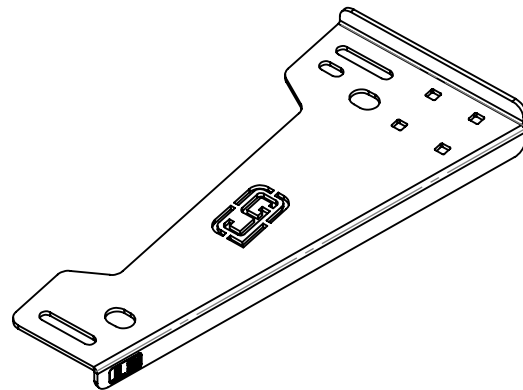
<u>Products</u>	<u>Revision</u>	<u>Form</u>
7160-0537, 7160-2036	Rev D	INST-628
BASE - FORD TRANSIT 2015+ NO DRILL, MERCEDES METRIS 2016+ NO DRILL BASE, FRWD MNT, FORD TRANSIT 2015+		Printing Spec: PS-001

▲ IMPORTANT SAFETY INFORMATION

- You must read and follow all installation instructions. Failure to follow installation instructions may result in death or serious bodily injury.
- Keep these installation instructions with the product and readily available in the vehicle for future reference of other users of the product.
- Additional copies of the installation instructions can be obtained from Gamber Johnson or by scanning the QR code located on the product if available.
- DO NOT position the equipment in front of an airbag. Equipment positioned in front of an airbag can cause serious injury or death when airbag is deployed.
- Disconnect vehicle battery before installation.



7160-0537



7160-2036

PARTS LIST

<u>PART NO.</u>	<u>DESCRIPTION</u>	<u>QTY</u>
15135	Base, Ford-Transit 2015+	1
INST-628	Instruction Sheet, Ford Transit 2015+, Mercedes Metris 2016+	1

PARTS LIST

<u>PART NO.</u>	<u>DESCRIPTION</u>	<u>QTY</u>
21801	Base, FRWD MNT, Ford Transit 2015+	1
INST-628	Instruction Sheet, Ford Transit 2015+, Mercedes Metris 2016+	1

Product Mounting Disclaimer

Gamber-Johnson is not liable under any theory of contract or tort law for any loss, damage, personal injury, special, incidental or consequential damages for personal injury or other damage of any nature arising directly or indirectly as a result of the improper installation or use of its products in vehicle or any other application. In order to safely install and use Gamber-Johnson products full consideration of vehicle occupants, vehicle systems (i.e., the location of fuel lines, brakes lines, electrical, drive train or other systems), air-bags and other safety equipment is required. Gamber-Johnson specifically disclaims any responsibility for the improper use or installation of its products not consistent with the original vehicle manufactures specifications and recommendations, Gamber-Johnson product instruction sheets, or workmanship standards as endorsed through the Gamber-Johnson Certified Installer Program.

© Copyright 2017 Gamber-Johnson, LLC

If you need assistance or have questions, call Gamber-Johnson at 1-800-456-6868



Installation Instructions:

1. Remove the two front seat rail bolts. See Figure 1.
2. Loosen the two rear seat rail bolts. See Figure 2.
3. Lift the seat up and slide the vehicle base in between the seat rail and seat base. See Figure 3.
4. Tighten the front and rear seat bolts.

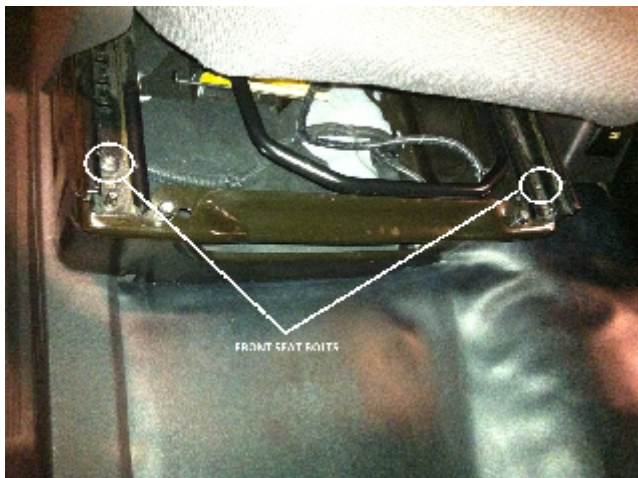


Figure 1.



Figure 2.



Figure 3.