



INSTALLATION INSTRUCTIONS

<u>Product</u> 7160-0818-XX & 7160-0819-XX ET5X CRADLES - 8" & 10"	<u>Revision</u> Rev.B	<u>Form</u> INST-709 Printing Spec: PS-001
---	---------------------------------	--

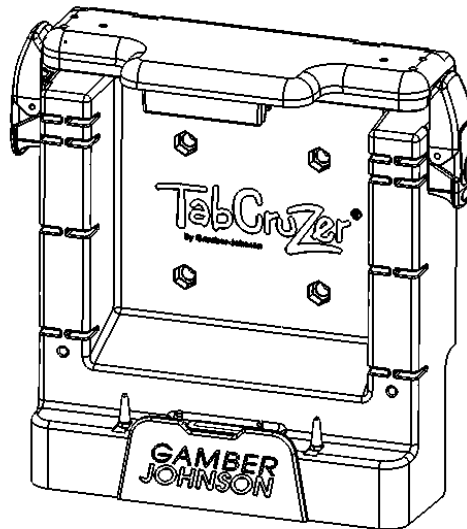
This instruction sheet is for the ET5X cradles only. For instructions on features, set-up, and operation of the ET5X computers, please refer to the manual provided by Zebra with the computer. The Rugged Frame Option For Tablet is required for the tablet to be compatible with the docking station.

This cradle is designed to be used with a variety of Gamber-Johnson mounting systems. Installation instructions for other Gamber-Johnson products are provided with each individual product.

This instruction sheet is for the following products:

- Item No. 7160-0818-00** ET5X 10" - No RF, No Power
- Item No. 7160-0818-04** ET5X 10" - No RF, With Power

- Item No. 7160-0819-00** ET5X 8" - No RF, No Power
- Item No. 7160-0819-04** ET5X 8" - No RF, With Power



Product Mounting Disclaimer
Gamber-Johnson is not liable under any theory of contract or tort law for any loss, damage, personal injury, special, incidental or consequential damages for personal injury or other damage of any nature arising directly or indirectly as a result of the improper installation or use of its products in vehicle or any other application. In order to safely install and use Gamber-Johnson products full consideration of vehicle occupants, vehicle systems (i.e., the location of fuel lines, brakes lines, electrical, drive train or other systems), air-bags and other safety equipment is required. Gamber-Johnson specifically disclaims any responsibility for the improper use or installation of its products not consistent with the original vehicle manufactures specifications and recommendations, Gamber-Johnson product instruction sheets, or workmanship standards as endorsed through the Gamber-Johnson Certified Installer Program.

© copyright 2016 Gamber-Johnson, LLC

If you need assistance or have questions, call Gamber-Johnson at 1-800-456-6868

PRE-INSTALLATION RECOMMENDATIONS

Conduct a "Bench Test"

Gamber-Johnson strongly advises a "bench test" be conducted to verify all electronic and software issues are resolved prior to installation:

1. Make sure the computer is operational by itself.
2. Insert computer into the docking station and verify that the computer is operating in the dock.
3. Interconnect entire assembly and verify start-up of all components, including other equipment (printers, modems, scanners, etc.)

Gamber-Johnson recommends positioning of all mounts and equipment in the vehicle prior to the actual install to verify that mounting locations are safe and practical.

IMPORTANT SAFETY INFORMATION FOR INSTALLERS

Safety is dependent on the proper installation and servicing of this docking station. It is important to read and follow all instructions before installing this product.

To properly install a Gamber-Johnson docking station you must have a good understanding of automotive electrical procedures and systems, along with proficiency in the installation and service of aftermarket vehicle equipment.

There are no adjustments required at any time of the electrical components within the docking station. **Opening the docking station will void the product warranty.**

During Installation:

DO NOT connect this docking station to the vehicle battery until:

1. All other electrical connections are made
2. Mounting of all components is complete
3. Verification that no shorts exist in the entire system

DO NOT install equipment or route wiring or cords in the deployment path of any air bag.

When drilling into the vehicle, DO make sure that both sides of the surface are clear of anything that could be damaged.

CAUTION: *If wiring is shorted to the frame, high current conductors can cause hazardous sparks resulting in electrical fires or flying molten metal.*

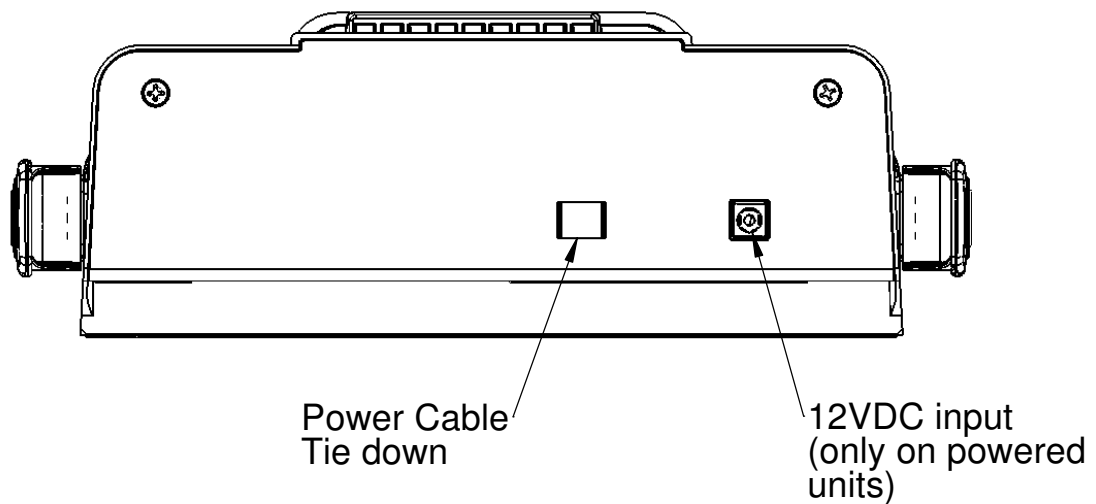
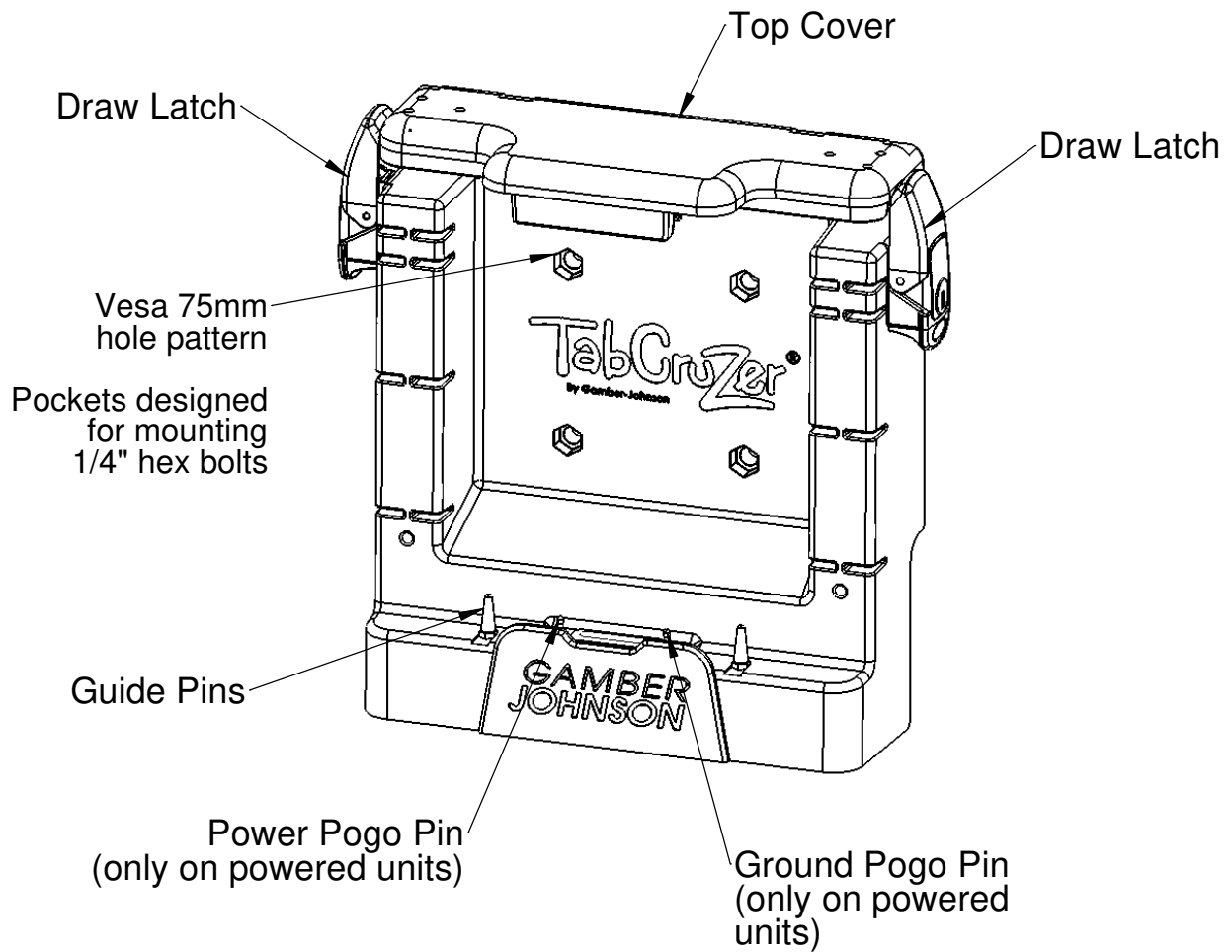
After installation:

Test the docking station to ensure that it is working properly.

File these instructions in a safe place and refer to them when performing maintenance or re-installing.

WARNING: *Failure to follow all safety precautions and instructions may result in property damage, serious injury, or death.*

ET5X CRADLE FEATURE IDENTIFICATION



INSERTING THE COMPUTER INTO THE CRADLE

INSERTING THE COMPUTER (SEE Figures 1-3)

1. Open the top cover.
2. Center the computer above the guide pins.
3. Lower the computer onto the guide pins.
4. Close the top cover and secure the unit with both draw latches.
5. (Optional) The key lock can now be used for security purposes.



Figure 1



Figure 2

TO UNDOCK THE COMPUTER

1. Unlock if locked.
2. Open the draw latches and raise the top cover.
3. Lift the computer upward off the guide pins then pull outward from the docking station.



Figure 3

Regulatory Certification Information

GJ Model #'s: 7160-0818-00, 7160-0818-04,
7160-0919-00, & 7160-0819-04

Descriptions: Cradle-Zebra-ET5X

Certifications:

- EN 50581:2012



Gamber-Johnson LLC, 3001 Borham Ave., Stevens
Point, WI, 54481, USA, 715-344-3482