



INSTALLATION INSTRUCTIONS

Product

7160-1256, 7160-1326, 7160-1452
7170-0727, 7170-0728

CONSOLE BOX - VEHICLE SPECIFIC
FORD F150 2015+, F250-F550 2017+

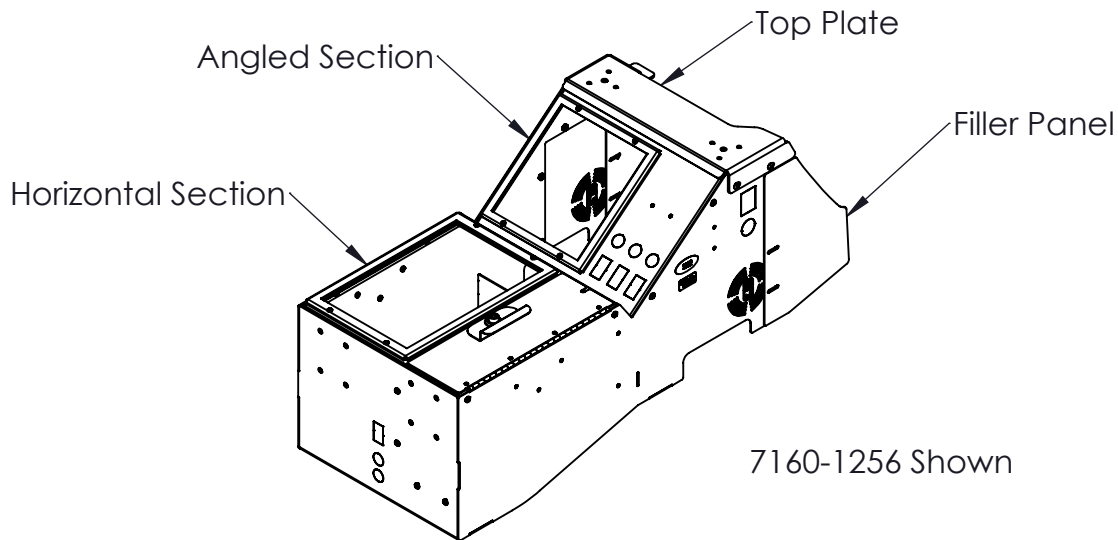
Revision

Rev. C

Form

INST-875

Printing Spec:PS-001



These instructions cover the installation of the Gamber-Johnson vehicle specific console boxes for Ford F-Series trucks with and without floor 4x4 shifters for the applicable model year vehicles.

To Install:

1. Remove the (5) bolts holding in the center seat with 13mm socket. The passenger seat bolts may need to be removed or loosened to reach one of the passenger side center seat bolts in the rear. Disconnect any wires to the center seat and remove it. See FIG 1 on the next page.
2. Using an 18mm socket, remove the two center seat brackets mounted to the transmission tunnel. Save these (4) bolts as they will be used to install the console box.
3. Remove the angled and horizontal insert sections from the console by removing the #10-32 screws along the side. If applicable, remove the interior pocket by removing the #10-32 screws on the rear of the box as well as the (2) #10-32 nuts inside.
4. Place the console into the vehicle and start the (4) bolts but do not tighten.
NOTE: If using side armrests, you may wish to attach them to the console before placing it into the vehicle.

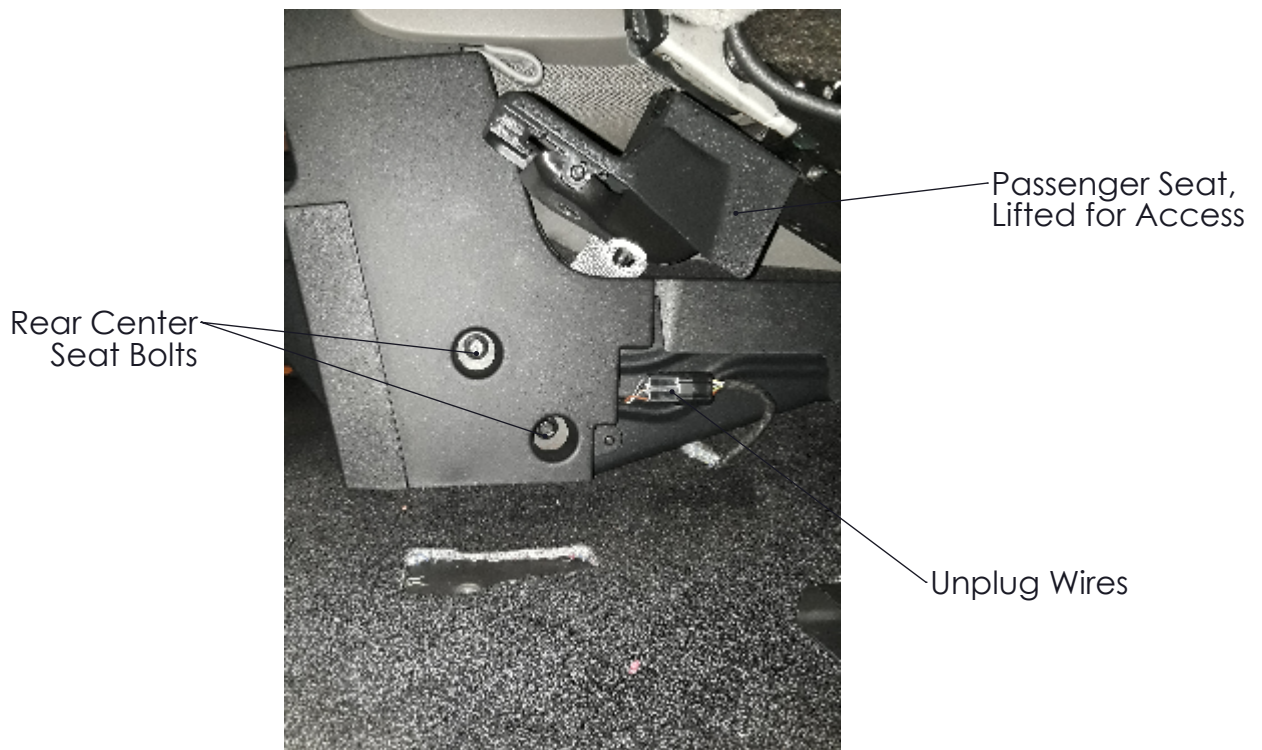


FIG 1 - Center Seat, Rear Passenger Side Bolts

5. Install the side filler panels onto the console box before it is tightened into position.
 - For 4x4 shifter models use the offset panel provided on the driver side and attach with (4) #10-32 screws provided in the hardware bag.
 - For all other models install the two filler panels on either side of the box using the #10-32 nuts on the driver side and #10-32 screws on the passenger side, both provided in the hardware bag.
6. Adjust the console box position along with the side filler panels and console top plate if necessary. Once the console is placed against the dash as desired, tighten all filler panel hardware and the (4) bolts securing the console box.

NOTE: For installations using older revisions of the Ford F150 close to dash (7160-1010) the console may need to be positioned farther back from the dash to avoid hitting the control knob on the dash.

7. Reinstall the interior pocket (if applicable), horizontal and angled panel sections that were removed previously. Note the orientation of the angle panel section for models with floor 4x4 shifters. The radio opening on the panel is placed on the passenger side to avoid the 4x4 shifter panel on the driver side.



Step 6
Console Installed



Step 7
Interior Parts
Resinstalled