



INSTALLATION INSTRUCTIONS

<u>Product</u> 7160-1865 Fold-Down Tablet Display Mount	<u>Revision</u> Rev B	<u>Form</u> INST-1150 Printing Spec: PS-001
--	---------------------------------	---

This instruction sheet is for the 7160-1865 fold-down tablet display mount. This mount is designed to attach to a Gamber-Johnson motion attachment by either a 3/8-16 stud or the provided 3/8-16 x 1.25" hex bolt.

The mount includes a hardware bag that consists of:

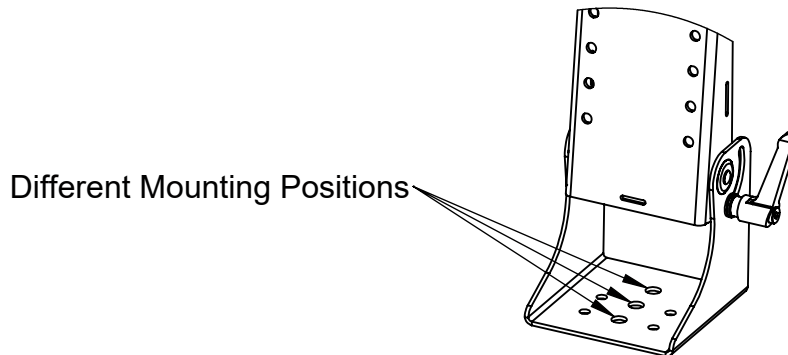
- (1) 3/8-16 x 1.25" Hex Bolt
- (1) 3/8 inch Nylok nut
- (1) 3/8 inch Hardened Washer
- (1) Steel Backing Plate
- (2) Plastic Friction Bearings
- (1) Capsule of threadlocker
- (2) 1/4-20 x 1.0" Hex Bolts

⚠ IMPORTANT SAFETY INFORMATION

- You must read and follow all installation instructions. Failure to follow installation instructions may result in death or serious bodily injury.
- Additional copies of the installation instructions can be obtained from Gamber Johnson or by scanning the QR code located on the product if available.
- DO NOT position the equipment in front of an airbag. Equipment positioned in front of an airbag can cause serious injury or death when airbag is deployed.
- **Caution should be taken to ensure the tablet screen does not come in contact with any object when folding-down the mount.** Gamber-Johnson is not responsible for any damage caused by impacts of objects within the range of motion of the mount.

Attaching the mount.

The mount can be attached to the 3/8 bolt/stud in 3 different positions. Choose a position that allows the desired range of motion of the mount.



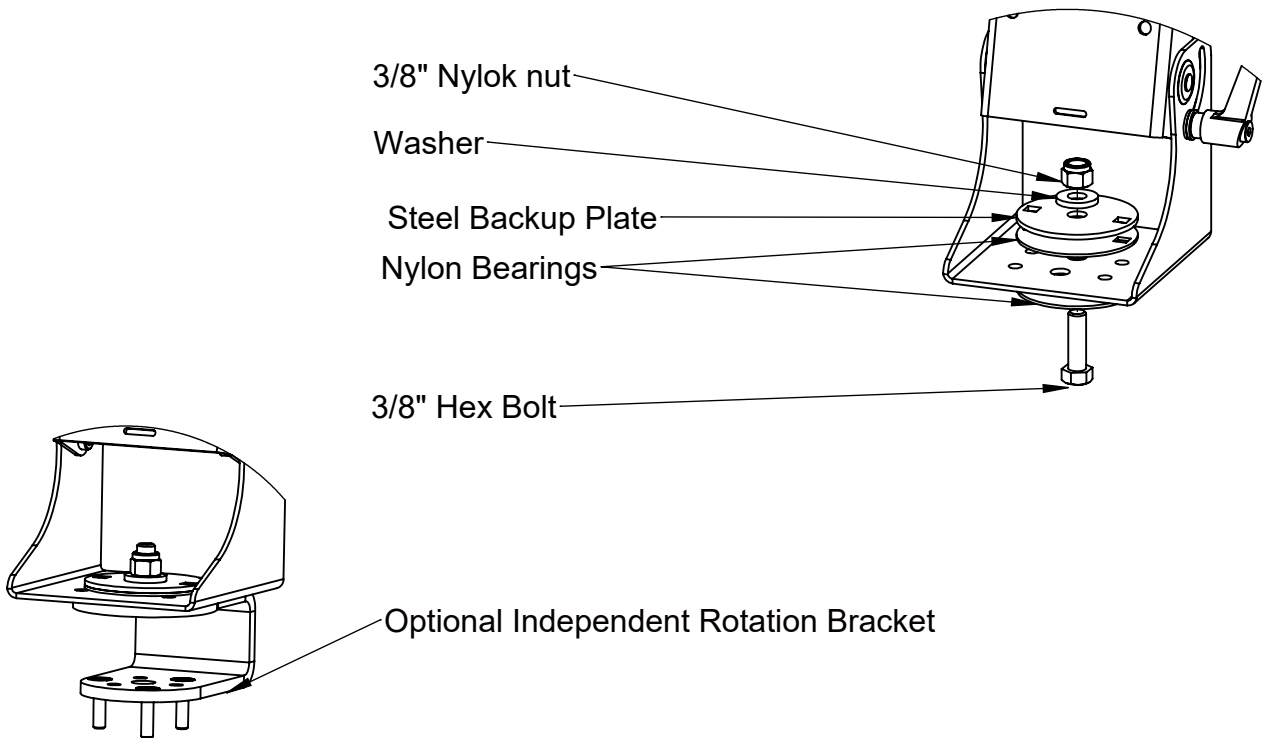
Product Mounting Disclaimer

Gamber-Johnson is not liable under any theory of contract or tort law for any loss, damage, personal injury, special, incidental or consequential damages for personal injury or other damage of any nature arising directly or indirectly as a result of the improper installation or use of its products in vehicle or any other application. In order to safely install and use Gamber-Johnson products full consideration of vehicle occupants, vehicle systems (i.e., the location of fuel lines, brake lines, electrical, drive train or other systems), air-bags and other safety equipment is required. Gamber-Johnson specifically disclaims any responsibility for the improper use or installation of its products not consistent with original vehicle manufactures specifications and recommendations, Gamber-Johnson product instruction sheets, or workmanship standards as endorsed through the Gamber-Johnson Certified Installer Program.

© Copyright 2023 Gamber-Johnson, LLC

If you need assistance or have questions, call Gamber-Johnson at 1-800-456-6868

Install the friction bearings, backing plate, washer and nut as shown. Tighten nut to the desired resistance that allows for adjustability in rotation, but is secure when the vehicle is driven.



For the 7160-0220 or 7160-0928 Mongoose, use nylon bearings and steel plate as risers to clear slide

