



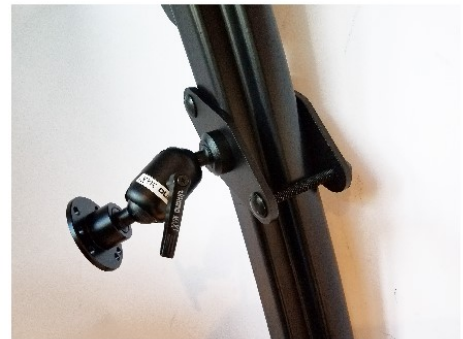
# INSTALLATION INSTRUCTIONS

<b><u>Product</u></b> 7160-1171, 7160-1261, 7160-1261-01 4" DIAMOND PLATE MOUNT	<b><u>Revision</u></b> Rev. A	<b><u>Form</u></b> INST-856  Printing Spec: PS-001
---	----------------------------------	---

This instruction sheet is for the 4" diamond plate mounts. It is used for mounting lite weight devices such as handheld docking stations and scanners. It utilizes 2 diamond plates that clamp around a flat bar or tube to hold the Zirkona mount in place and a round mounting plate or a Vesa 75mm mounting plate for the device end.

## **Attaching the mount:**

1. The 4" diamond plate mount comes with a round mounting plate on one end for attaching your lite weight device. This round mounting plate has the AMP's and NEC hole patterns. (7160-1261-01 comes with a 75mm vesa mounting plate)



2. Your specific device can be attached before or after the diamond plate mount is attached to the tube. Use the hardware that was supplied with your device to attach it to the round mounting plate.



3. Attach the diamond plate mount to the tube with the 3/8" hardware supplied in hardware bag 7120-0864. Use the 3/8" carriage bolts that best fits your application. Make sure the bolts are as close to the tube as possible. You will need to rotate the diamond plate mount to accomplish this.



4. When mounting to a roll formed tube, try to have one of the mounting plates on a flat side of the roll formed tube. Tighten the bolts until you start to see deflection in one of the diamond mounting plates.

### Product Mounting Disclaimer

Gamber-Johnson is not liable under any theory of contract or tort law for any loss, damage, personal injury, special, incidental or consequential damages for personal injury or other damage of any nature arising directly or indirectly as a result of the improper installation or use of its products in vehicle or any other application. In order to safely install and use Gamber-Johnson products full consideration of vehicle occupants, vehicle systems (i.e., the location of fuel lines, brakes lines, electrical, drive train or other systems), air-bags and other safety equipment is required. Gamber-Johnson specifically disclaims any responsibility for the improper use or installation of its products not consistent with the original vehicle manufactures specifications and recommendations, Gamber-Johnson product instruction sheets, or workmanship standards as endorsed through the Gamber-Johnson Certified Installer Program.

© Copyright 2018 Gamber-Johnson, LLC

If you need assistance or have questions, call Gamber-Johnson at 1-800-456-6868



# INSTALLATION INSTRUCTIONS

## Product

7160-1433

SCANNER POCKET

## Revision

Rev B

## Form

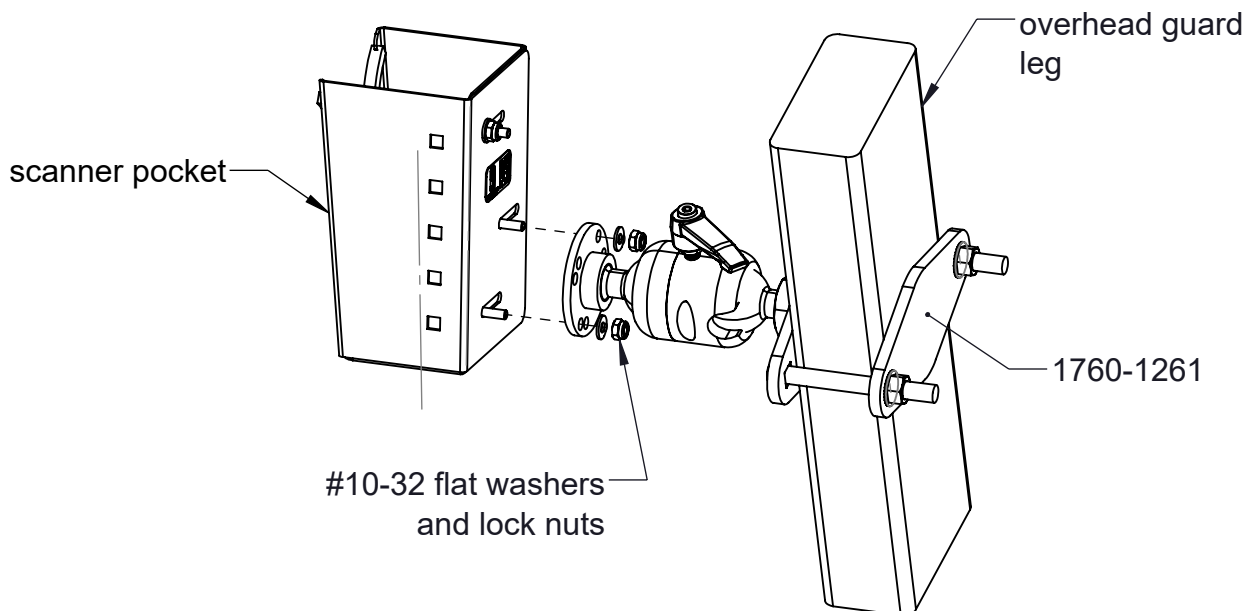
INST-937

Printing Spec: PS-001

This instruction sheet is for mounting the Gamber-Johnson scanner (7160-1433) to a Zirkona joiner with an AMP's mounting plate (7160-1261).

## Mounting the device

1. Attach the scanner pocket to the Zirkona Joiner by removing the (2) #10 flat washers and lock nuts on the back side of the scanner pocket.
2. The scanner pocket can hold a scanner with a head thickness of 2.50" high x 4.50" wide. The pocket width is pre-set at 3.50" wide but can be adjusted to accommodate scanners up to 4.50" wide by loosening the (3) lock nuts, adjusting to the desired width and re-tightening the lock nuts.
3. Adjust the Zirkona Joiner to hold the scanner pocket in the desired location.



### Product Mounting Disclaimer

Gamber-Johnson is not liable under any theory of contract or tort law for any loss, damage, personal injury, special, incidental or consequential damages for personal injury or other damage of any nature arising directly or indirectly as a result of the improper installation or use of its products in vehicle or any other application. In order to safely install and use Gamber-Johnson products full consideration of vehicle occupants, vehicle systems (i.e., the location of fuel lines, brake lines, electrical, drive train or other systems), air-bags and other safety equipment is required. Gamber-Johnson specifically disclaims any responsibility for the improper use or installation of its products not consistent with original vehicle manufactures specifications and recommendations, Gamber-Johnson product instruction sheets, or workmanship standards as endorsed through the Gamber-Johnson Certified Installer Program.

© Copyright 2024 Gamber-Johnson, LLC

If you need assistance or have questions, call Gamber-Johnson at 1-800-456-6868