



INSTALLATION INSTRUCTIONS

Product

7160-1542

MOUNT, ROLL FORM, CLARK 50MM

Revision

Rev A

Form

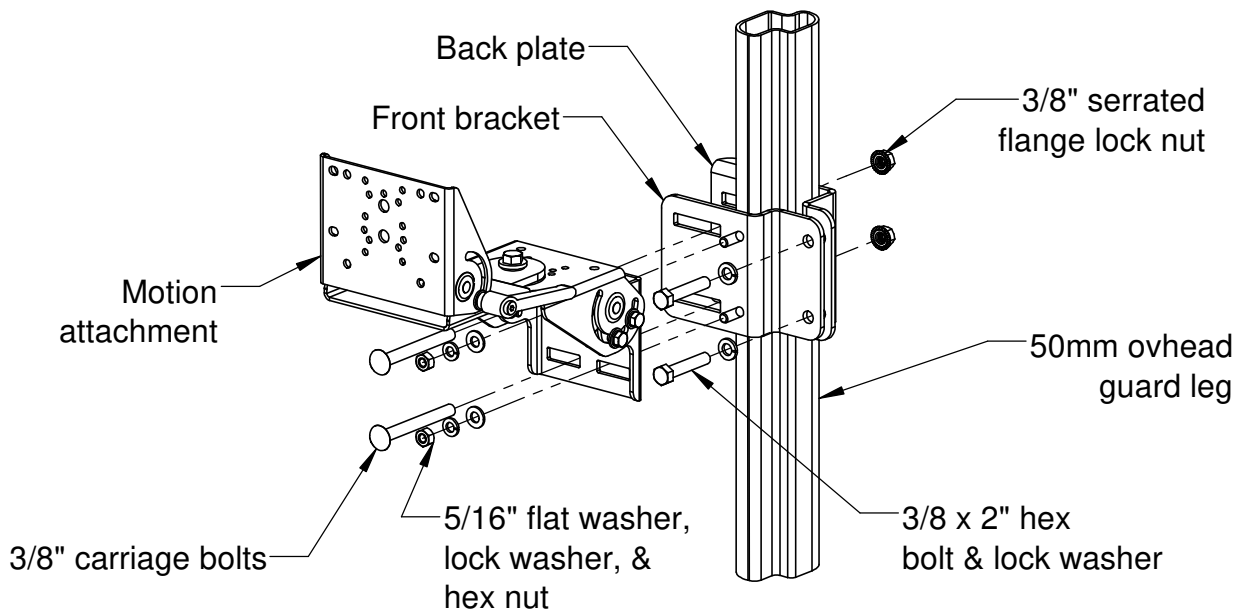
INST-986

Printing Spec: PS-001

7160-1542 is a set of mounting brackets designed to attach to the 50mm roll formed overhead guard leg on a Clark forklift. The brackets are held in place with 3/8" diameter hex bolts and carriage bolts.

1. Attach the motion attachment (sold separately, dual clam shell 7160-0420 is shown below) to the front plate with the 5/16" flat washers, split lock washers, and hex nuts provided in hardware bag 7120-0575.

2. Clamp the front and back plate to the roll formed overhead guard leg with the 3/8" x 2" hex bolts and lock washers, and the 3/8" x 3-1/2" carriage bolts (run through the motion attachment) and 3/8 serrated flange lock nuts provided in hardware bag 7120-0575.



Product Mounting Disclaimer

Gamber-Johnson is not liable under any theory of contract or tort law for any loss, damage, personal injury, special, incidental or consequential damages for personal injury or other damage of any nature arising directly or indirectly as a result of the improper installation or use of its products in vehicle or any other application. In order to safely install and use Gamber-Johnson products full consideration of vehicle occupants, vehicle systems (i.e., the location of fuel lines, brake lines, electrical, drive train or other systems), air-bags and other safety equipment is required. Gamber-Johnson specifically disclaims any responsibility for the improper use or installation of its products not consistent with original vehicle manufactures specifications and recommendations, Gamber-Johnson product instruction sheets, or workmanship standards as endorsed through the Gamber-Johnson Certified Installer Program.

© Copyright 2020 Gamber-Johnson, LLC

If you need assistance or have questions, call Gamber-Johnson at 1-800-456-6868