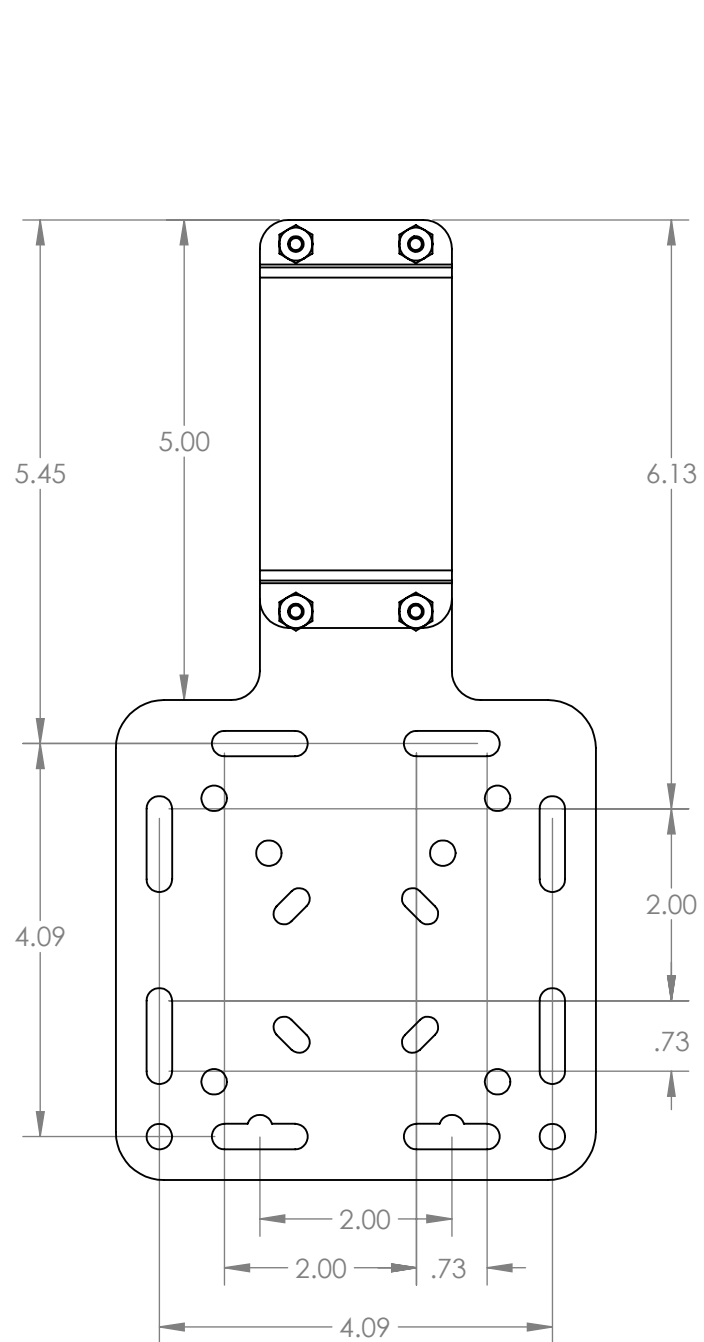
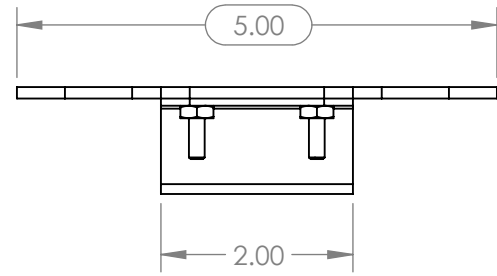
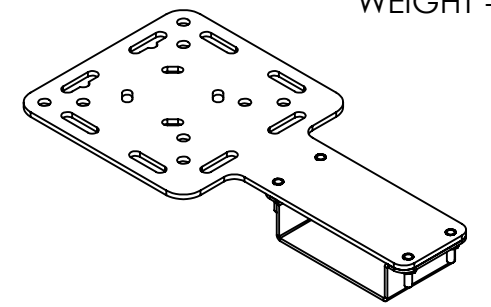
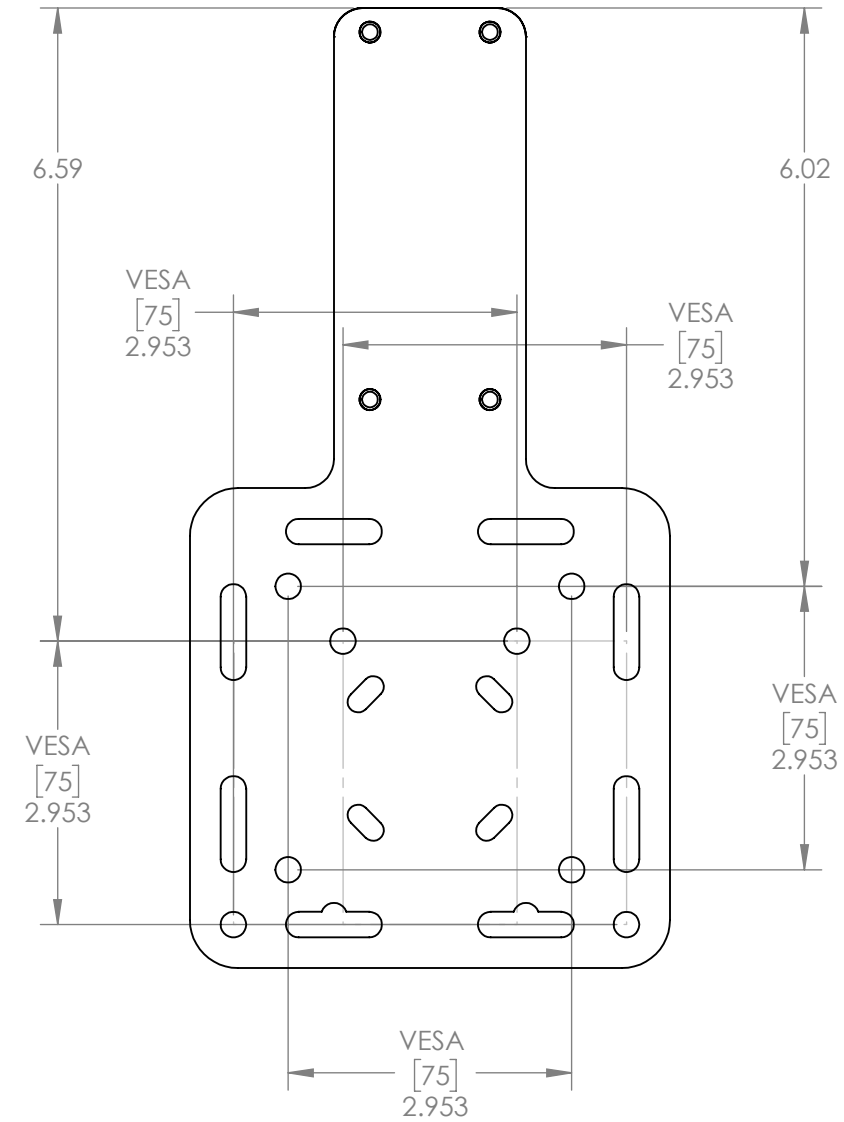
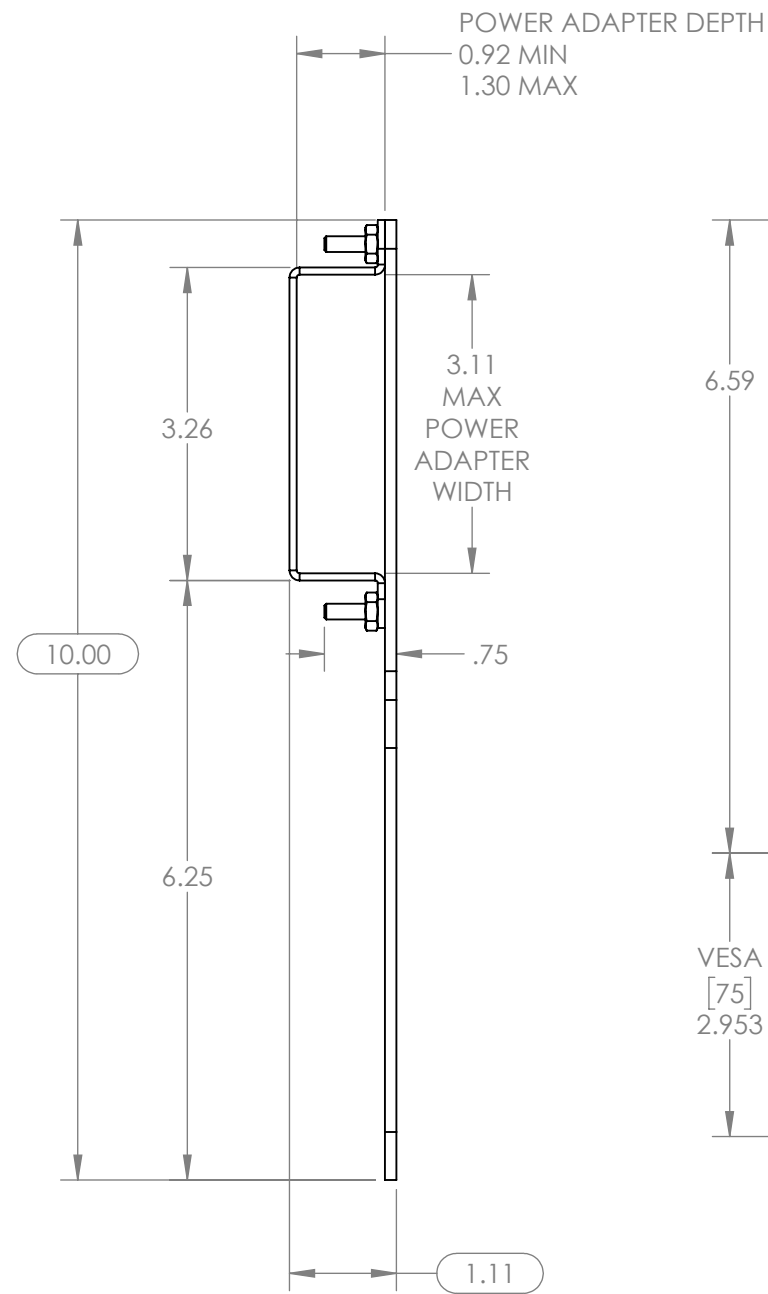


# POWER ADAPTER MOUNT : 7160-0539

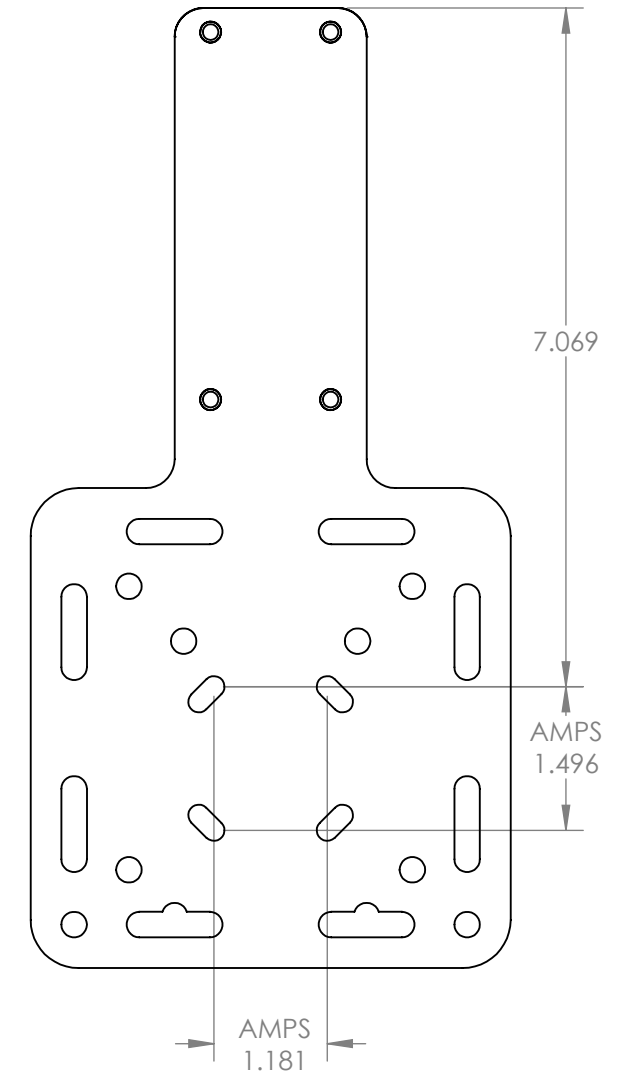
WEIGHT = 1.50 LBS



LEGACY GJ 2"x4" MOUNTING PATTERN



VESA 75MM MOUNTING PATTERN



AMPS MOUNTING PATTERN