

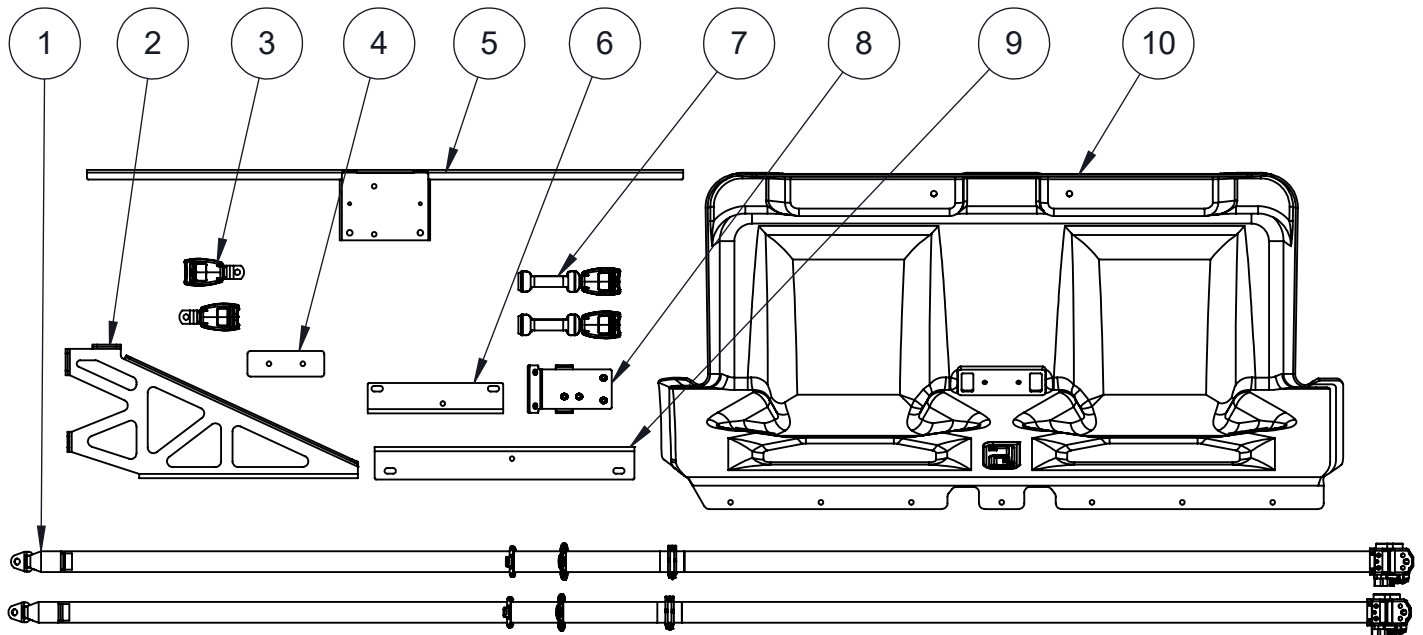


INSTALLATION INSTRUCTIONS

Product	Revision	Form
7170-1084-01, -02, -03, -04	Rev B	INST-1159
REPLACEMENT SEAT, FORD PIU 2020+		Printing Spec: PS-001

WARNING: Locate all wiring, fuel, brake, coolant & refrigerant lines before drilling any holes or installing any self-drilling fasteners.

ITEM	QTY	PartNo	DESCRIPTION
1	2	21179	SEAT BELT RETRACTOR, 3PT, 123IN
2	1	21356	BRACE, SEAT SUPPORT
3	2	21188	ASTB BUCKLE 4.7" W/BENT STRAP
4	1	20972	COVER PLATE, SEAT BELT, FORD PIU 2020+
5	1	7110-1454	ASSEMBLY, SEAT SUPPORT AND LABEL
6	1	21358	SUPPORT, SEAT, CROSS MEMBER BACK, FORD PIU 2020+
7	2	21176	SEAT BELT BUCKLE, 9" RIGHT ANGLE
8	1	20969	SUPPORT, SEAT, CENTER, FORD PIU 2020+
9	1	20968	SUPPORT, SEAT, CROSS MEMBER, FORD PIU 2020+
10	1	20485	REPLACEMENT SEAT, FORD PIU, 2020+

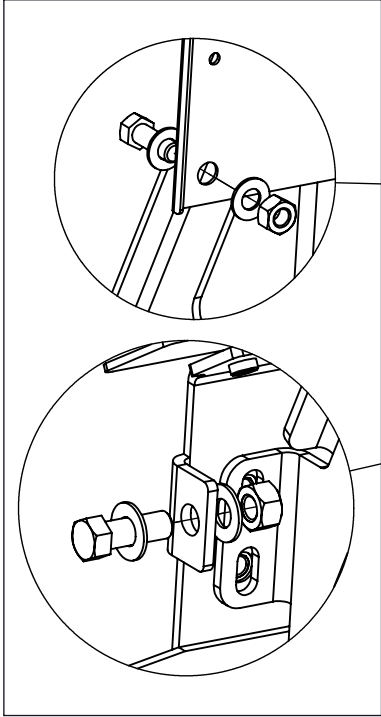


Product Mounting Disclaimer
 Gamber-Johnson is not liable under any theory of contract or tort law for any loss, damage, personal injury, special, incidental or consequential damages for personal injury or other damage of any nature arising directly or indirectly as a result of the improper installation or use of its products in vehicle or any other application. In order to safely install and use Gamber-Johnson products full consideration of vehicle occupants, vehicle systems (i.e., the location of fuel lines, brake lines, electrical, drive train or other systems), air-bags and other safety equipment is required. Gamber-Johnson specifically disclaims any responsibility for the improper use or installation of its products not consistent with original vehicle manufactures specifications and recommendations, Gamber-Johnson product instruction sheets, or workmanship standards as endorsed through the Gamber-Johnson Certified Installer Program.

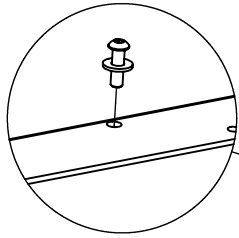
© Copyright 2024 Gamber-Johnson, LLC
 If you need assistance or have questions, call Gamber-Johnson at 1-800-456-6868

Hardware Reference Diagram:

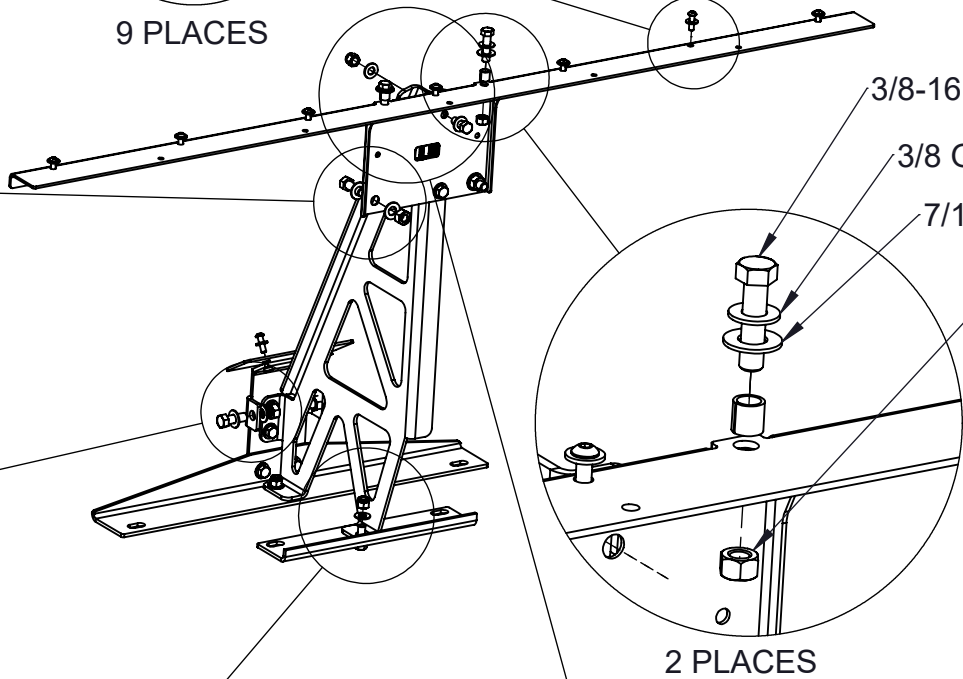
7/16 GRADE 8 HARDWARE:



2 PLACES



9 PLACES



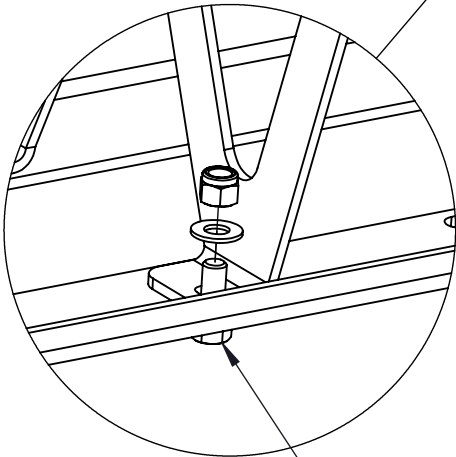
3/8-16 X 1.5"

3/8 GRADE 8

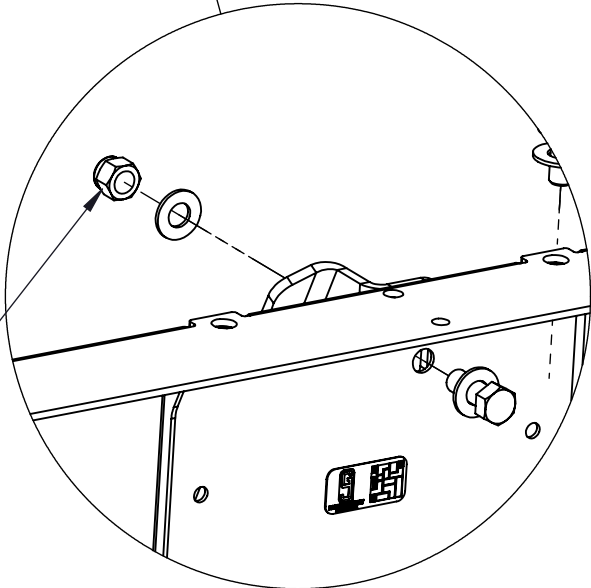
7/16 GRADE 8

3/8-16
GRADE 8
NUT

2 PLACES



3/8-16 X 1" HARDWARE
WITH NYLOK NUT



2 PLACES

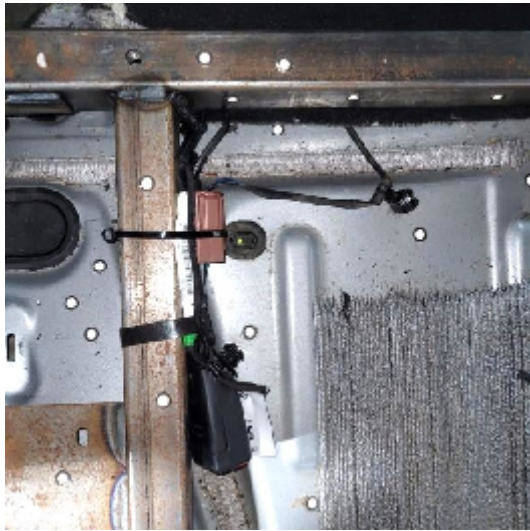


Fig. 1

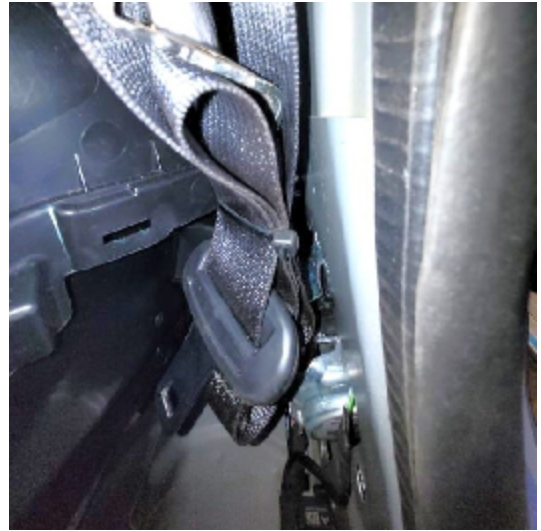


Fig. 2

Note: Generally, these instructions show one side of the vehicle (driver or passenger), unless otherwise specified, the instructions apply to both sides of the vehicle.

1. Remove second row OEM seats per the Factory Service Manual (FSM). Retain hardware for Replacement Seat installation. Be sure to unplug seat belt wires from seats before removing.
2. Remove the seat belt buckles (3 places) from the seats per the FSM. Reconnect the seat belt buckles to the vehicle harness with the wires routed under the vehicle support brace and secure (Fig. 1).
3. Remove C-Pillar trim and Rear Sill Trim per the FSM. Remove outer seatbelt anchors per FSM.
4. Wrap and secure the seatbelts behind the C-Pillar trim (Fig. 2).
5. Install the C-Pillar hole covers using the #10 hardware provided in the hardware bag, then reinstall C-Pillar trim per FSM.
6. Install the SEAT BELT BUCKLES (Item 5) using the OEM hardware at the B-pillar trim floor. Orientate the buckle parallel to the seat as shown (Fig. 3). It may be helpful to access the fastener from the opposite side of the trim as shown below.

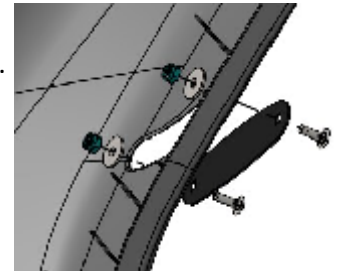


Fig. 3





Fig. 4



Fig. 5

7. Widen the cutout in the Rear Sill Plate as shown (Fig. 4) to fit the SEAT BELT BUCKLE. The widened area is approx. 1" long by 5/8" wide.

8. Reinstall the Rear Sill Plate per the FSM (Fig. 5).

9. Loosely install the SEAT SUPPORT CROSSMEMBER (Item 3) using the OEM hardware (Fig. 6). Note the flange faces towards the vehicle front.

10. Loosely install the BACK SEAT SUPPORT CROSSMEMBER (Item 7) using the OEM hardware (Fig 7). Note the flange is rearward and faces up.

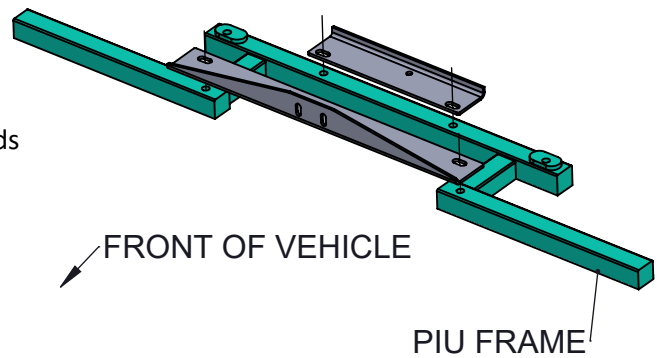


Fig. 6



Fig. 7

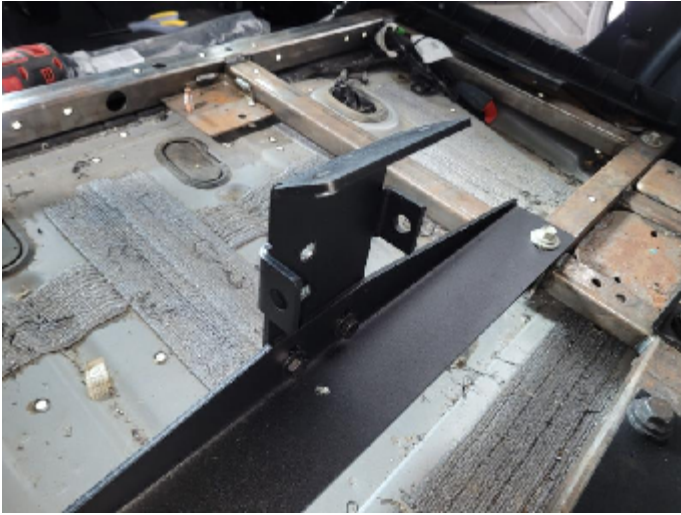


Fig. 8



Fig. 9

11. Loosely install the CENTER SEAT SUPPORT (Item 6) using two 3/8-16x1.00 bolts and two 3/8 washers (Fig. 8). See page 2 for hardware referencing.

12. If not already installed, install the Gamber-Johnson Rear Partition into the vehicle following the instructions provided with the rear partition (Fig 9).

13. Install the SEAT SUPPORT (Item 10) by removing the five 1/4-20x.75 Carriage Bolts that are fastening the cargo partition window frame to the main barrier, place the SEAT SUPPORT underneath the bend, align all the clearance holes and re-fasten the window frame to the partition and SEAT SUPPORT (Fig. 10).

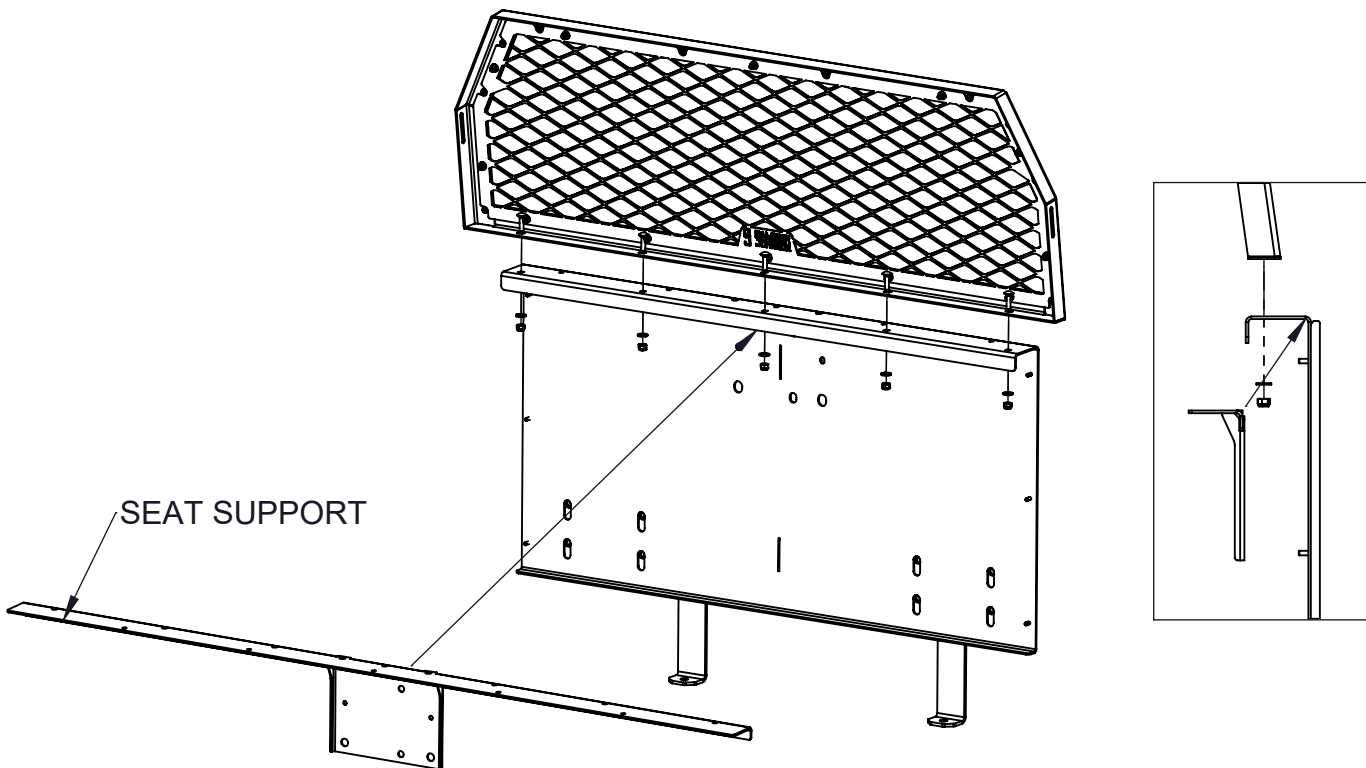


Fig. 10



Fig. 12



Fig. 13

15. Loosely install the BRACE (Item 8) to the SUPPORT CROSS MEMBER, REAR SUPPORT CROSS MEMBER and the cargo partition using 3/8-16x1.0 bolts, 3/8 washers and 3/8-16 nylok nuts (Fig. 12). Note do not use the hardened 3/8 washers, indicated by stamped marks. **Note: See page 2 for hardware referencing.**

16. Install the SEAT BELT RETRACTORS using the 7/16-14x1.25 Grade 8 bolts, 7/16 hardened washers and 7/16-14 Grade 8 nuts. Torque to 52 lb-ft. (Fig. 13). Note: Do not remove the plastic clips that are keeping the seat belts from retracting at this time.

17. Place the REPLACEMENT SEAT (Item 1) into the vehicle. Feed the metal D-ring ends of the seat belts through the holes in the seat. Make sure the belts are not twisted. Secure to the CENTER SUPPORT using the 7/16-14x1.25 Grade 8 bolts, 7/16 hardened washers and 7/16-14 Grade 8 nuts. Torque the hardware to 52 lb-ft. Note the orientation of the D-rings (Fig. 14).

18. Lift the CENTER SUPPORT and tighten all hardware. Tighten the OEM hardware per the FSM.

19. Set REPLACEMENT SEAT in place and check alignment of the CENTER SUPPORT holes with the holes in the REPLACEMENT SEAT at the seat belt pass through (Fig. 15). If required, remove REPLACEMENT SEAT and adjust position of the brackets (side-to-side and vertical) for a good fit with C-pillars and the CENTER SUPPORT, then re-install the REPLACEMENT SEAT.



Fig. 14



Fig. 15



Fig. 16



Fig. 17

20. Remove the clips that keep the seat belts from retracting and make sure the plastic-coated D-rings are not stuck behind the REPLACEMENT SEAT.

21. Install the COVER PLATE (Item 4) using the 1/4-20x.875 button head screws and 1/4 washers(Fig. 16).

Note: See page 2 for hardware referencing.

22. Install the plastic coated D-rings to the top of the partition using the 3/8-16x1.50 grade 8 bolts, spacers, 3/8 hardened washers, 7/16 hardened washers and 3/8-16 grade 8 nuts. **Note the hardened washers have stamped markings while the regular washers do not.** Torque the bolts to 44 ft-lbs (Fig 17).

23. Bolt the seat to the partition using the 1/4-20x.875 socket head bolts, 1/4 washers and 1/4-20 nylok nuts (Fig 18) in seven places.

24. Install the OEM bolts in the footwells and torque per the FSM (Fig 19). It is normal for the seat to flex at these locations.



Fig. 18



Fig. 19



Fig. 20



Fig. 21

25. Drill two 3/8" holes to mount the RIGHT ANGLE BUCKLE (Item 9) into the metal wings of the passenger partition. Recommended holes positions are 4.5" back from flange of metal wing and 1" down from top of metal wing (Fig 20).

26. Install the RIGHT ANGLE BUCKLE using the 3/8-16x1.25 bolts, 3/8 washers and 3/8-16 nylok nuts (Fig 20).

27. PUSH RETAINERS are provided to close any gap that may be present between the C-pillar trim and the edge of the Replacement Seat (Fig 21). Three retainers are recommended, however more are provided to be used as needed.

CAUTION!: Do not drill into any portion of the vehicle without first verifying that vehicle systems will not be affected.

Drill 8mm holes as required, install the PUSH RETAINERS and depress the center portion to lock in place. A 5/16 drill can be used if an 8mm drill is not available, however the PUSH RETAINERS will be more difficult to install.

28. If used, the OEM Spare Cover Board will need to be trimmed. Remove the passenger side "wing" (Fig 22) and the driver side "wing" (Fig 23).



Fig. 22



Fig. 23



Fig. 24

29. Remove a notch from the center of the cover as required for the BRACE. The notch should be 3.5" deep and 2" wide (Fig 24). It should be located 20" off the driver's side of the spare tire cover (Fig 22).

30. Test the seat belts to make sure they extend and retract as expected. Installation is complete.

