



INSTALLATION INSTRUCTIONS

Product

7160-1955
7170-1185-XX

Revision

REV A

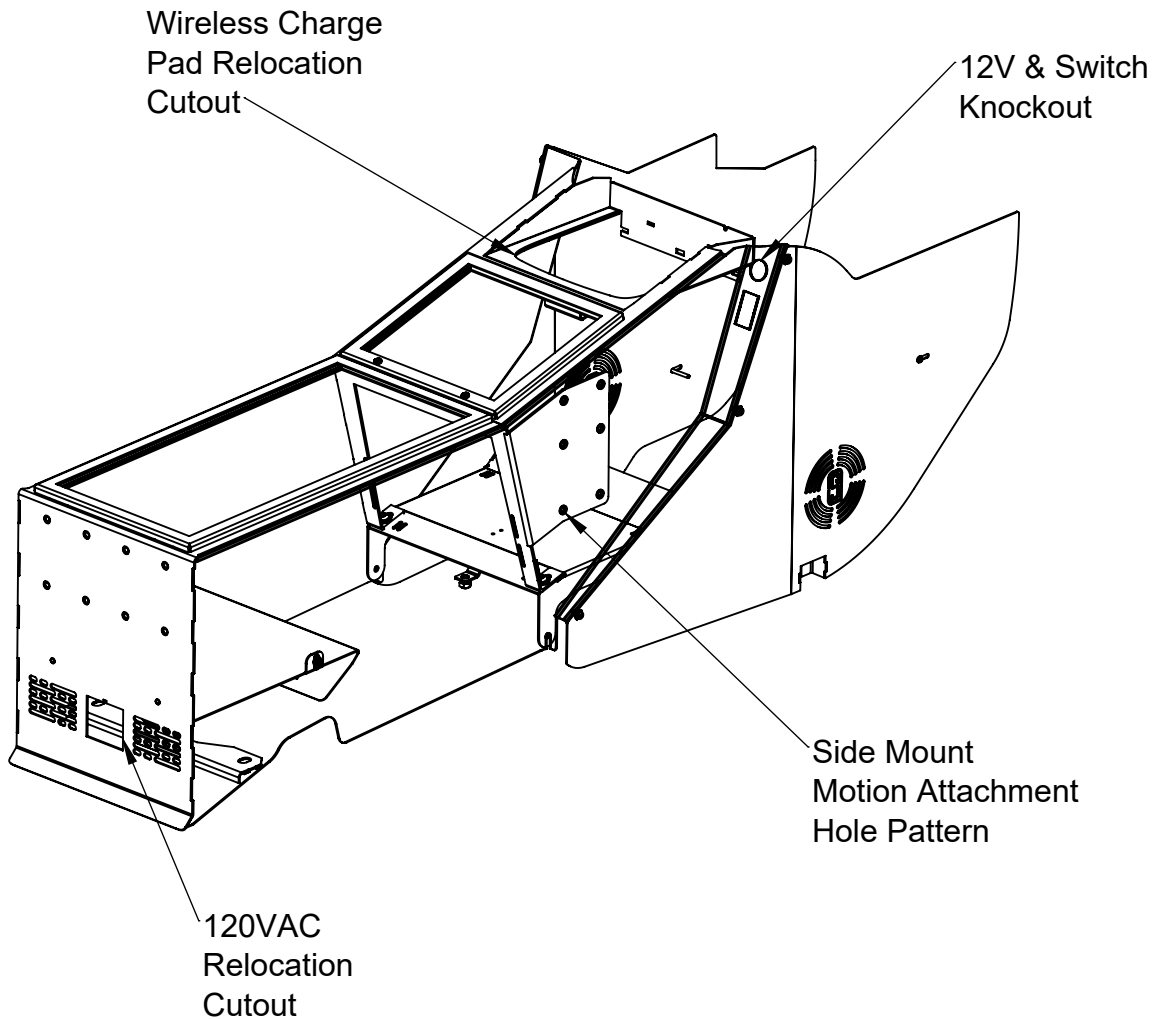
Form

INST-1210

CONSOLE - RIVIAN R1T & R1S
KIT - CONSOLE, RIVIAN R1T & R1S

Printing Spec: PS-001

NOTE: INSTALLATION MAY VARY SLIGHTLY BETWEEN GEN1 AND GEN2 VEHICLES



Product Mounting Disclaimer

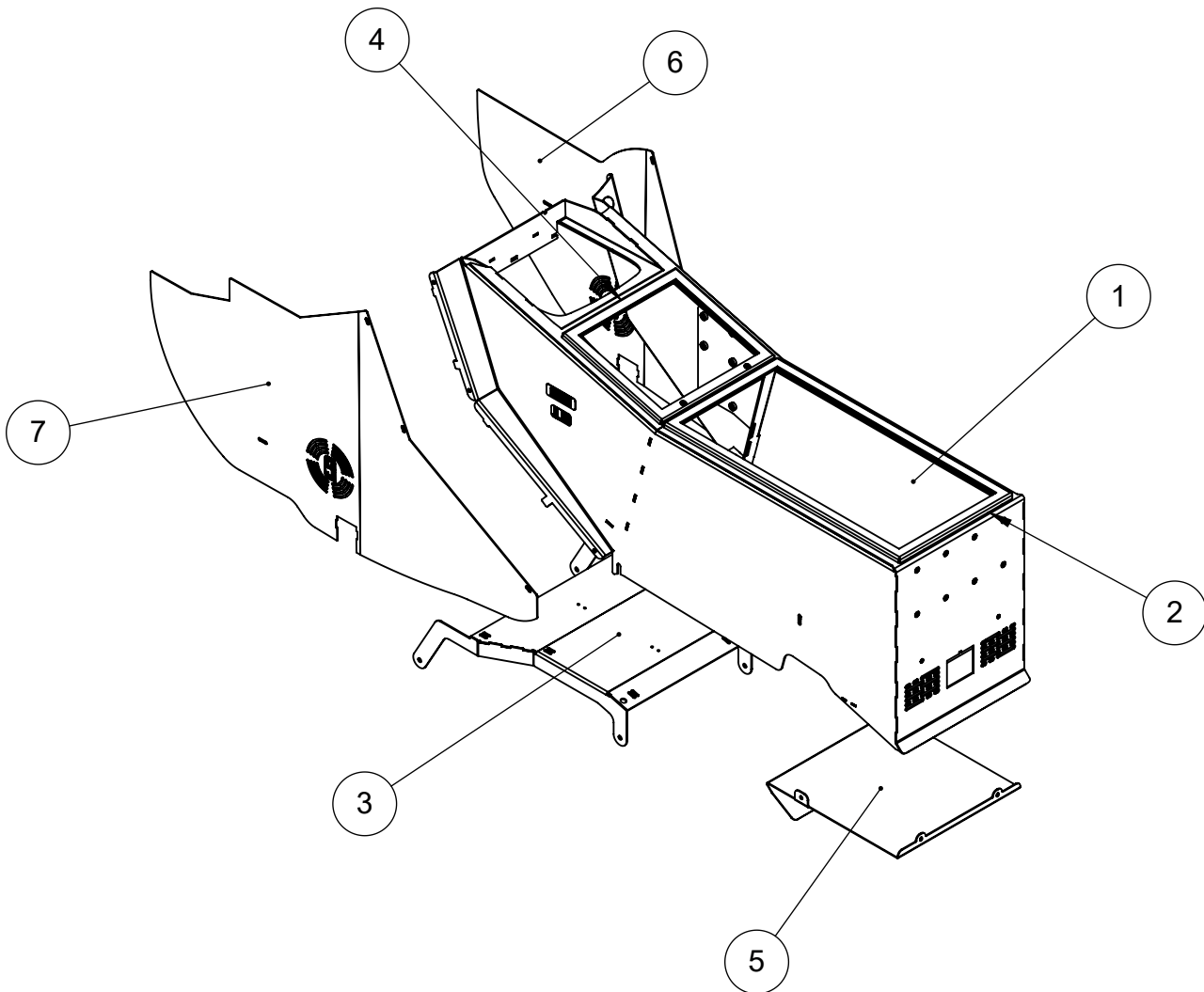
Gamber-Johnson is not liable under any theory of contract or tort law for any loss, damage, personal injury, special, incidental or consequential damages for personal injury or other damage of any nature arising directly or indirectly as a result of the improper installation or use of its products in vehicle or any other application. In order to safely install and use Gamber-Johnson products full consideration of vehicle occupants, vehicle systems (i.e., the location of fuel lines, brake lines, electrical, drive train or other systems), air-bags and other safety equipment is required. Gamber-Johnson specifically disclaims any responsibility for the improper use or installation of its products not consistent with original vehicle manufactures specifications and recommendations, Gamber-Johnson product instruction sheets, or workmanship standards as endorsed through the Gamber-Johnson Certified Installer Program.

© Copyright 2025 Gamber-Johnson, LLC

If you need assistance or have questions, call Gamber-Johnson at 1-800-456-6868



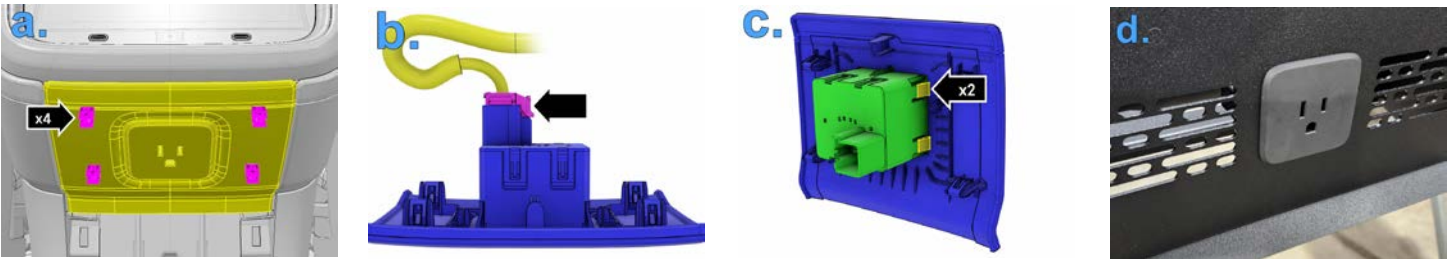
| ITEM NO. | PART NUMBER | DESCRIPTION | QTY. |
|----------|-------------|--|------|
| 1 | 21478 | MAIN WELDMENT - CONSOLE, RIVIAN R1T & R1S | 1 |
| 2 | 21479 | HOLDDOWN PICTURE FRAME, HORIZONTAL - CONSOLE, RIVIAN R1T & R1S | 1 |
| 3 | 21481 | ELECTRONICS TRAY - CONSOLE, RIVIAN R1T & R1S | 1 |
| 4 | 21480 | HOLDDOWN PICTURE FRAME, DIAGONAL - CONSOLE, RIVIAN R1T & R1S | 1 |
| 5 | 21903 | HVAC DIVERTER - CONSOLE, RIVIAN R1T & R1S | 1 |
| 6 | 21483 | WING, PS - CONSOLE, RIVIAN R1T & R1S | 1 |
| 7 | 21482 | WING, DS - CONSOLE, RIVIAN R1T & R1S | 1 |
| 8 | 7120-1221 | HARDWARE BAG - CONSOLE, RIVIAN R1T & R1S | 1 |



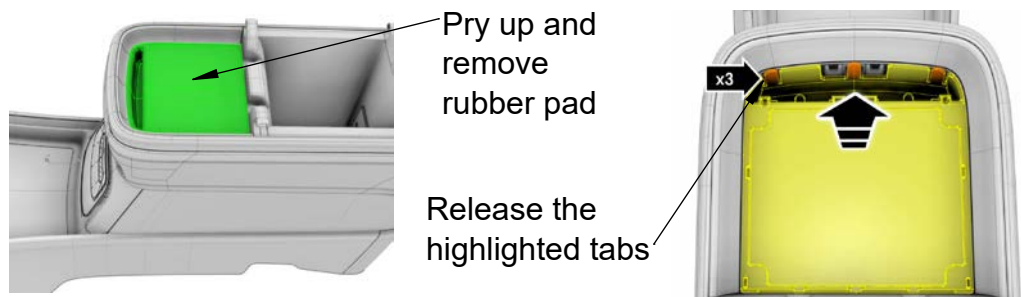
1. Remove driver seat, passenger seat, and center console per Rivian factory service manual

NOTE: Once power is disconnected from the center console it will be inoperable. Remove all personal items from console prior to removing.

2. Remove 120 volt outlet from center console and relocate to rear cutout on Gamber console



3. Remove rubber charge pad and wireless charge module from center console



4. Turn center console over, remove orange 120 volt harness



5. Remove screws holding HVAC to underside of console

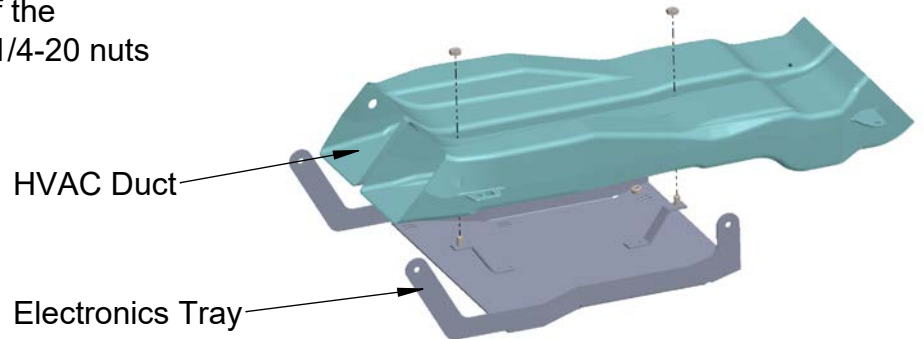


⚠️ IMPORTANT NOTICE ⚠️

GEN 1 Rivian (2022-2024): It is optional to remove and reuse the factory console harness. Failing to do so will mean the relocated charge pad will be inoperable

GEN 2 Rivian (2025+): If Rivian Wire Harness 7100-0504 has not been purchased. The low voltage harness will need to be removed from the factory console

6. Install HVAC duct to underside of the electronics tray using the provided 1/4-20 nuts



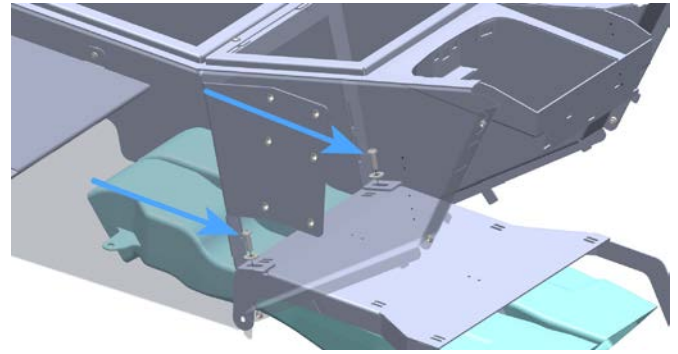
7. Align electronics tray assembly and insert OEM bolts into their respective holes and thread them on by one or two turns, ensuring they remain loose for now. **Do not fully tighten**



8. Carefully place the console main weldment over the electronics tray, aligning front slots with hardware installed in STEP 7. Install two OEM nuts in rear of console. **Do not fully tighten**

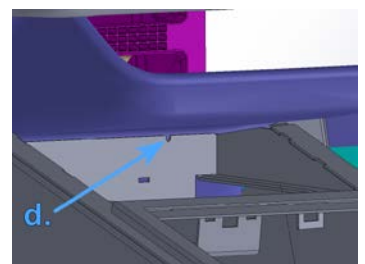
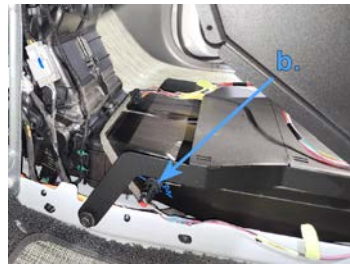


9. Fasten electronics tray to main weldment using provided 1/4-20 screws and washer. **Do not tighten**

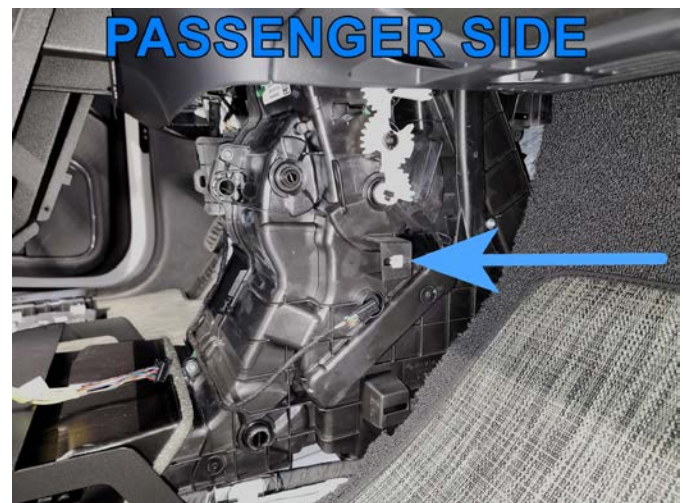


10. Route 120 volt harness and low voltage harness under console like shown

- a. Connect 120 volt outlet
- b. Connect thermistor in HVAC duct
- c. Route charge pad plug thru console opening
- d. Feed accident lighting plug over top of console (Optional, See PAGE 7)



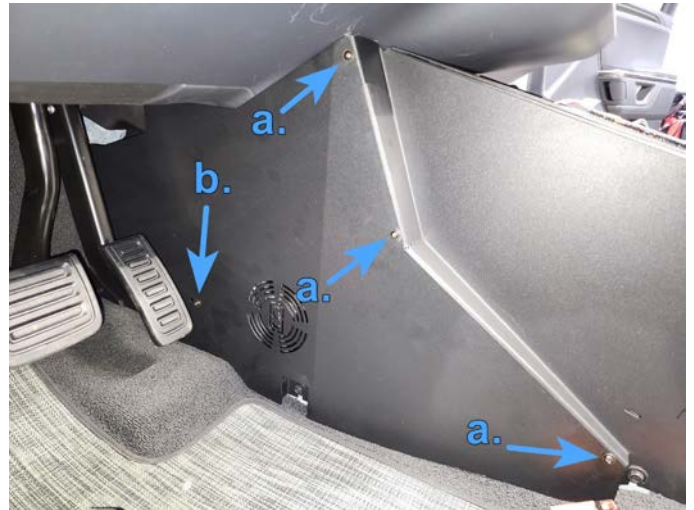
11. Install provided plastic snap-in nuts into the rectangular cutouts shows below, once installed roughly center the clips



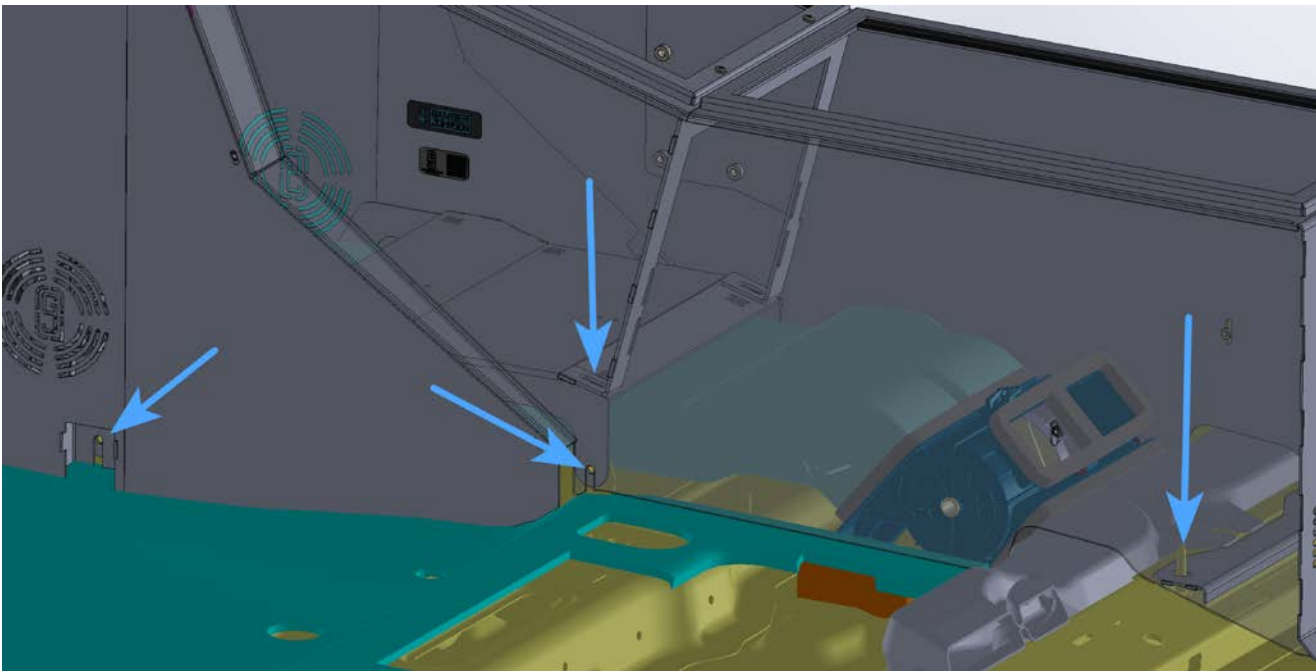
12. Install the console wings on the driver and passenger side of the console, the photo below shows the driver side wing

a. Fasten to the console use 3 - #8 screws and washers

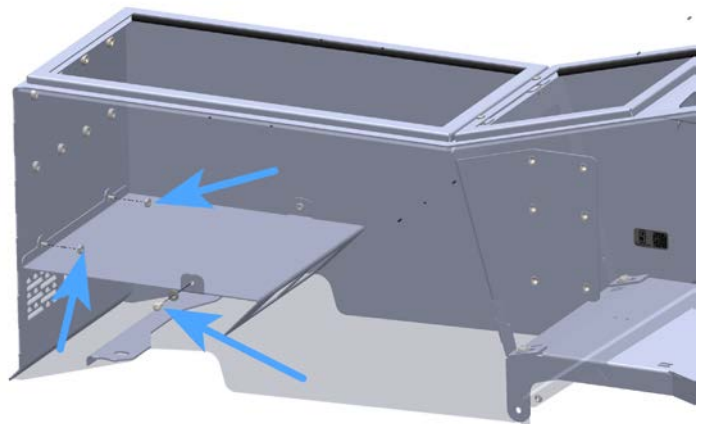
b. Fasten to clip from STEP 11 using the #6 plastic screws



13. All loosely installed hardware can now be tightened



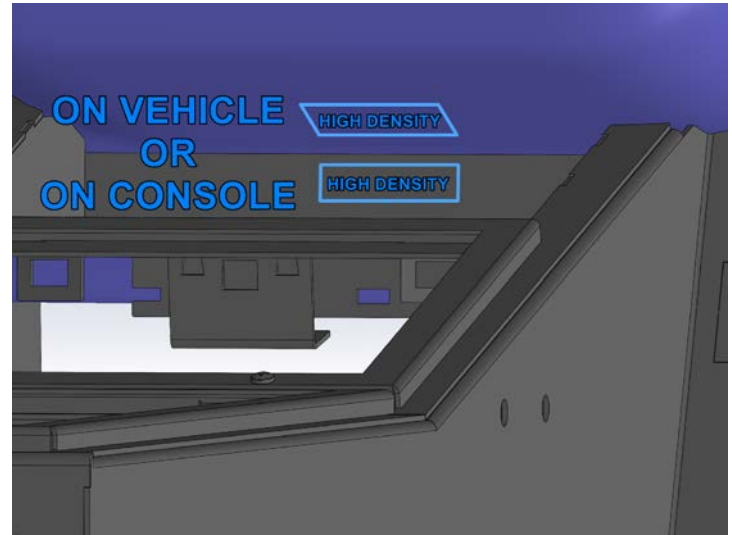
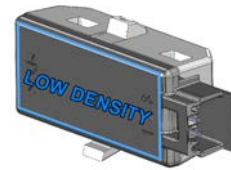
14. Install HVAC tray and fasten using provided #8 nuts and screws.



Optional Accent Lighting

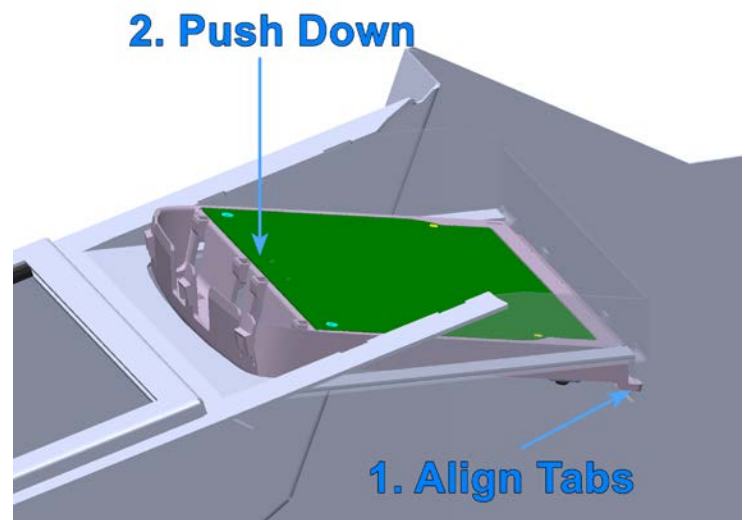
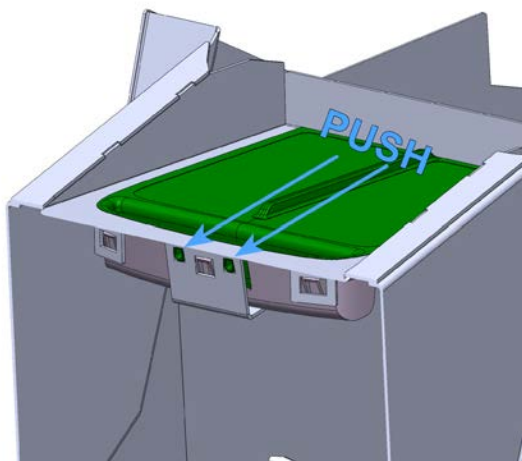
Accommodations are provided to relocate the accent light from the OEM console. In order to do so:

- a. Remove the accent light from the OEM console
- b. Using the provided 3M Dual Loc, adhere the low density to the backside of the light module and high density to either locations show in the photo
- c. Connect 3 pin connector and affix light



15. To install the wireless charge pad, connect it to the harness, align the 3 fingers with the 3 slots on the console. Rotate down ensuring all three clips are engaged

16. Replace rubber mat being sure to depress rubber locking tabs



17. Reinstall front seats per factory service manual and installation is now complete.

Example Setup

