



# INSTALLATION INSTRUCTIONS

## Product

7110-1229

Chair Rail Mount - Zirkona 208000

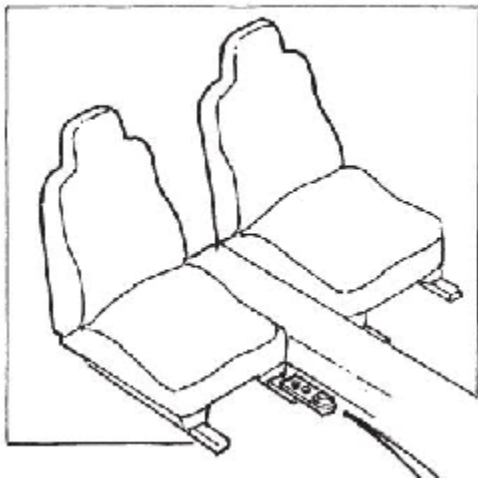
## Revision

Rev B

## Form

INST-880

Printing Spec: PS-001

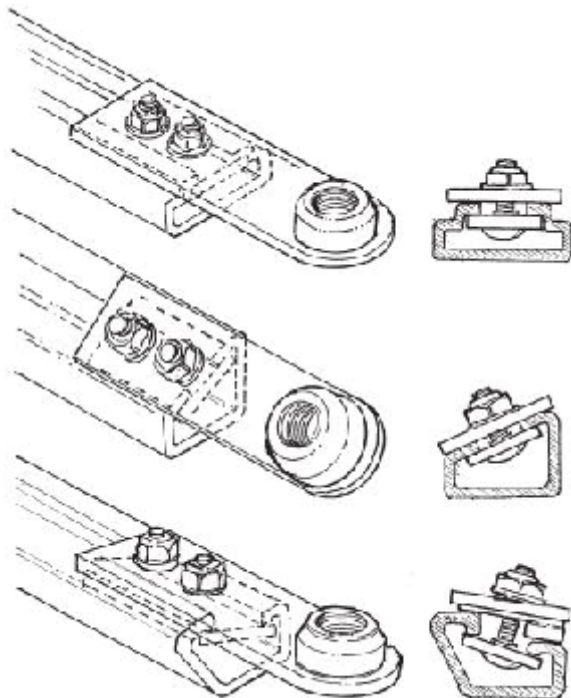


Installation of 7110-1229 Chair Rail Mount to the vehicle chair rail provides an M20 threaded mounting point for Zirkona products.

### Note -

The Chair Rail Mount will not work with all vehicle chair rail designs.

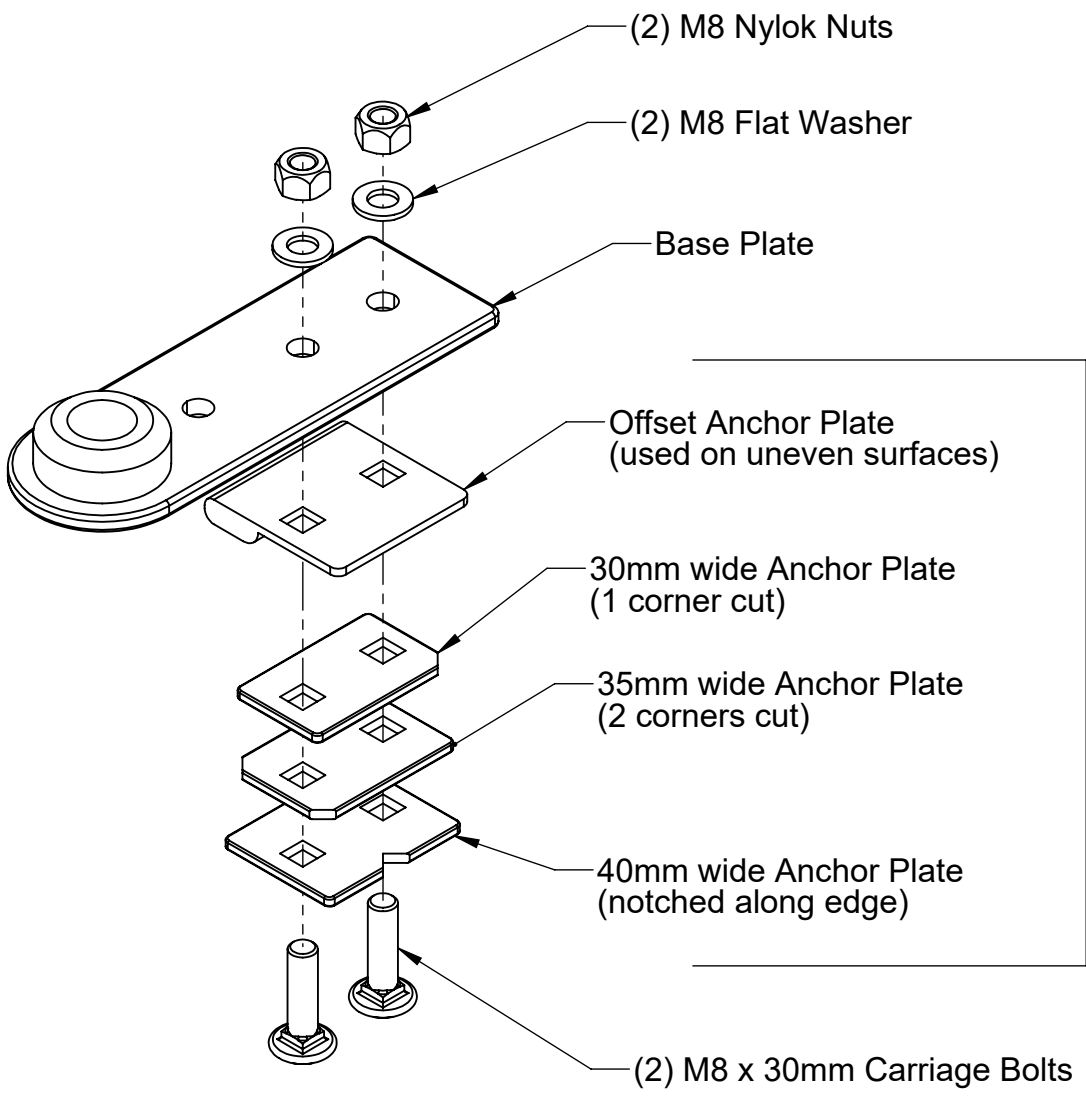
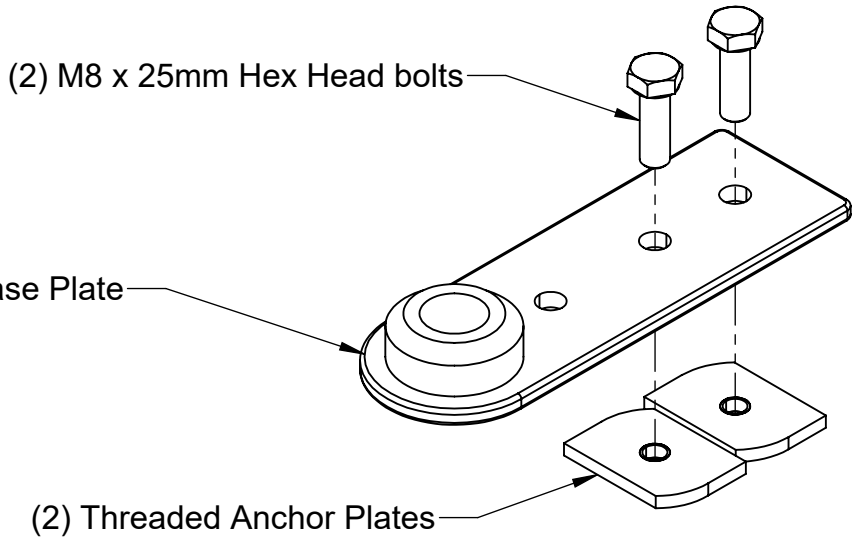
Also, power seat mechanisms and airbag devices may block mounting surfaces.



The Base Plate is placed on the top side of the chair rail and the anchor plate is placed inside. Carriage or hex head bolts are used to secure the mount.

Anchor plates of various widths are supplied to fit inside different style chair rails.

An offset plate is supplied to level the mounting surface on designs with uneven surfaces.



Use appropriate size for application