



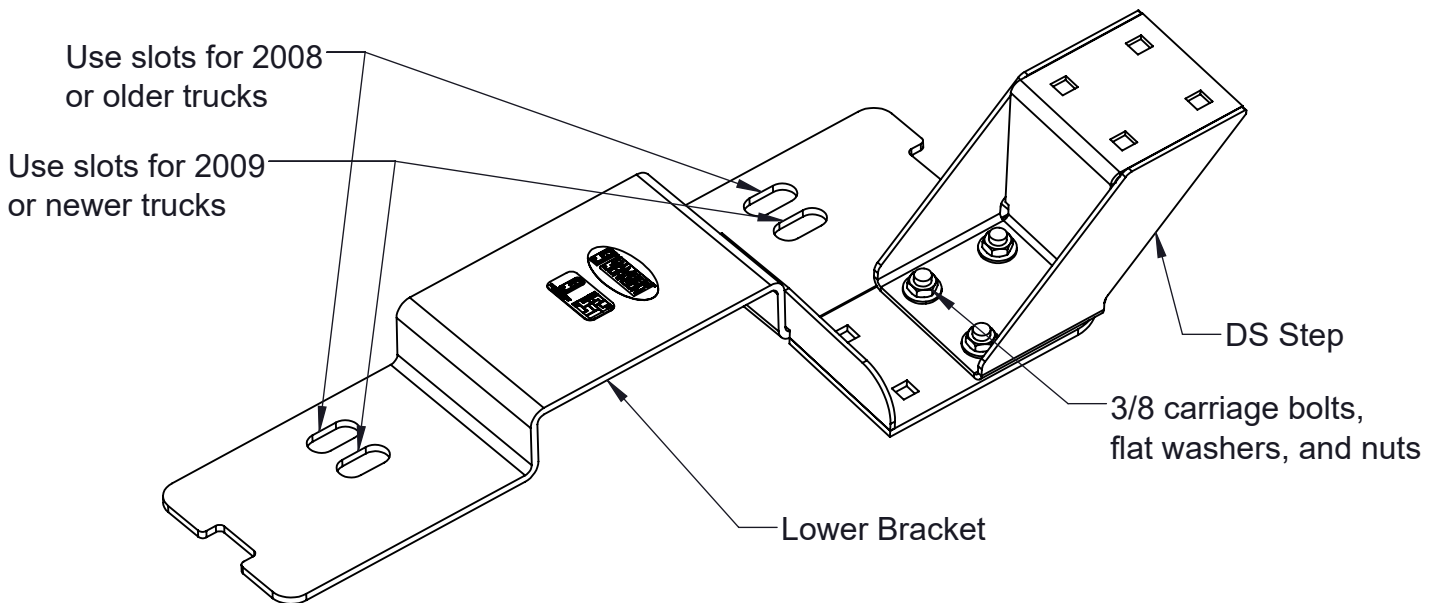
INSTALLATION INSTRUCTIONS

<u>Product</u>	<u>Revision</u>	<u>Form</u>
DS-124 2004+ Ford F150 DS-Base	Rev E	INST-193
		Printing Spec: PS-001

The DS-124 (2004 or newer Ford F150 base) is a No-Holes-Bored Base. The base mounts under the seat bracket and is compressed to the floor using the seat bolts.

Mounting the DS-124 to the passenger seat.

1. Attach the DS-Step to the lower bracket with the 3/8" carriage bolts, flat washers, and nuts.
2. Disconnect and set aside any covers over the passenger seat front and rear bolts.
3. Remove the two *front* seat bolts that attach the passenger seat to the floor. Loosen the two *rear* seat bolts that attach the passenger seat to the floor.
4. Lift upward on the front of the passenger seat and slide the lower bracket under the seat until the slots in the lower bracket line up with the holes for the seat bolts. Lower the seat back into position.
5. Install the two front seat bolts that you removed in step 3. Tighten the two rear seat bolts that were loosened in step 3. The lower bracket should now be compressed between the seat and the floor.
6. Install and secure any covers that were set aside.



Product Mounting Disclaimer

Gamber-Johnson is not liable under any theory of contract or tort law for any loss, damage, personal injury, special, incidental or consequential damages for personal injury or other damage of any nature arising directly or indirectly as a result of the improper installation or use of its products in vehicle or any other application. In order to safely install and use Gamber-Johnson products full consideration of vehicle occupants, vehicle systems (i.e., the location of fuel lines, brakes lines, electrical, drive train or other systems), air-bags and other safety equipment is required. Gamber-Johnson specifically disclaims any responsibility for the improper use or installation of its products not consistent with the original vehicle manufacturers specifications and recommendations, Gamber-Johnson product instruction sheets, or workmanship standards as endorsed through the Gamber-Johnson Certified Installer Program.

If you need assistance or have questions, call Gamber-Johnson at 1-800-456-6868