



INSTALLATION INSTRUCTIONS

Product

7160-1765

LYTX ER-SF300/400 SUCTION CUP MOUNT

Revision

Rev A

Form

INST-1315

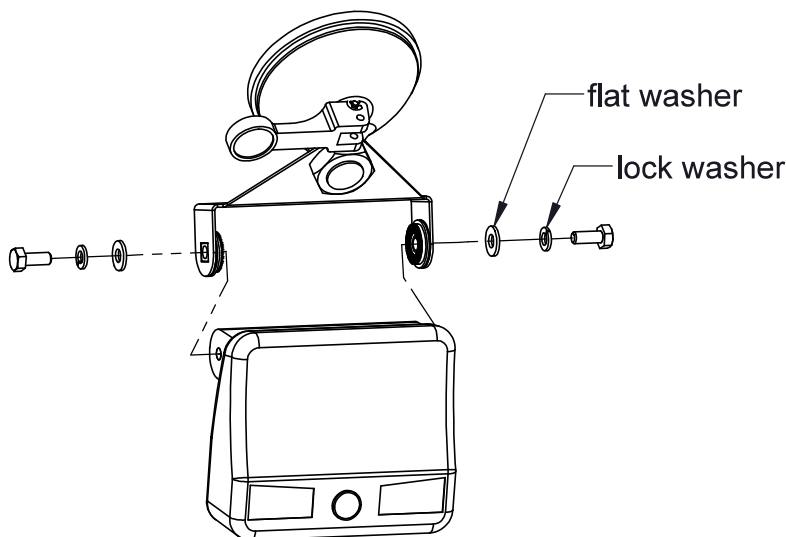
Printing Spec: PS-001

This instruction sheet is for mounting a Lytx ER-SF300/400 camera suction cup mount in a vehicle. Gamber-Johnson suction cups are compatible with smooth, non-porous surfaces (no rough or textured surfaces). Clean surface thoroughly before applying suction. When left unattended in extreme temperatures, it is recommended to stow the suction cup. Suction cups are considered a general wear item and are not covered under any warranty.

Note: a lanyard (supplied by others) can be employed to attach the mount to a higher point in the vehicle for added safety.

Attaching the Lytx ER-SF300/400 camera to the mount:

1. Attach the Lytx camera to the camera bracket with the hardware found in hardware bag # 7120-1213. Insert the camera between the camera bracket ears.
2. Insert the (2) 1/4-20 hex bolts, lock washers, and flat washers through the bracket and into the camera to hold it in place. Adjust the camera angle to the desired location and tighten the screws in place.



Product Mounting Disclaimer

Gamber-Johnson is not liable under any theory of contract or tort law for any loss, damage, personal injury, special, incidental or consequential damages for personal injury or other damage of any nature arising directly or indirectly as a result of the improper installation or use of its products in vehicle or any other application. In order to safely install and use Gamber-Johnson products full consideration of vehicle occupants, vehicle systems (i.e., the location of fuel lines, brake lines, electrical, drive train or other systems), air-bags and other safety equipment is required. Gamber-Johnson specifically disclaims any responsibility for the improper use or installation of its products not consistent with original vehicle manufactures specifications and recommendations, Gamber-Johnson product instruction sheets, or workmanship standards as endorsed through the Gamber-Johnson Certified Installer Program.

© Copyright 2025 Gamber-Johnson, LLC

If you need assistance or have questions, call Gamber-Johnson at 1-800-456-6868

