



INSTALLATION INSTRUCTIONS

Product

7160-2159

Samsung Tab Active5 Pro Retrofit Kit

Revision

Rev A

Form

INST-1279

Printing Spec: PS-001

This instruction sheet is for attaching the retrofit pad onto Samsung Tab Active5 Pro Docks and Cradles to better accomodate the Tab Active5 Pro Tablet.

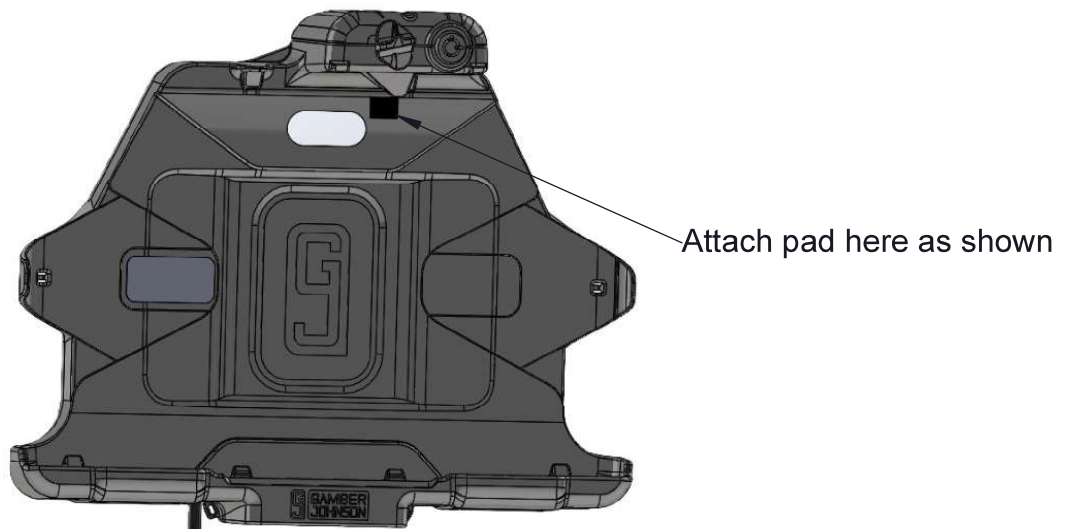
This instruction sheet is for adding the Retrofit kit to the following products:
7160-2159 (7160-1418-XX & 7160-1943-00)

This kit includes:

- (1) 20247 Poron Pad .470 x .340 x .063"
- (1) QR Code

Installation Procedure:

Attach 20247 Pad on the flat face of the main body of the dock/cradle in line with the blue latch as shown below.



Product Mounting Disclaimer

Gamber-Johnson is not liable under any theory of contract or tort law for any loss, damage, personal injury, special, incidental or consequential damages for personal injury or other damage of any nature arising directly or indirectly as a result of the improper installation or use of its products in vehicle or any other application. In order to safely install and use Gamber-Johnson products full consideration of vehicle occupants, vehicle systems (i.e., the location of fuel lines, brake lines, electrical, drive train or other systems), air-bags and other safety equipment is required. Gamber-Johnson specifically disclaims any responsibility for the improper use or installation of its products not consistent with original vehicle manufactures specifications and recommendations, Gamber-Johnson product instruction sheets, or workmanship standards as endorsed through the Gamber-Johnson Certified Installer Program.

© Copyright 2025 Gamber-Johnson, LLC

If you need assistance or have questions, call Gamber-Johnson at 1-800-456-6868