



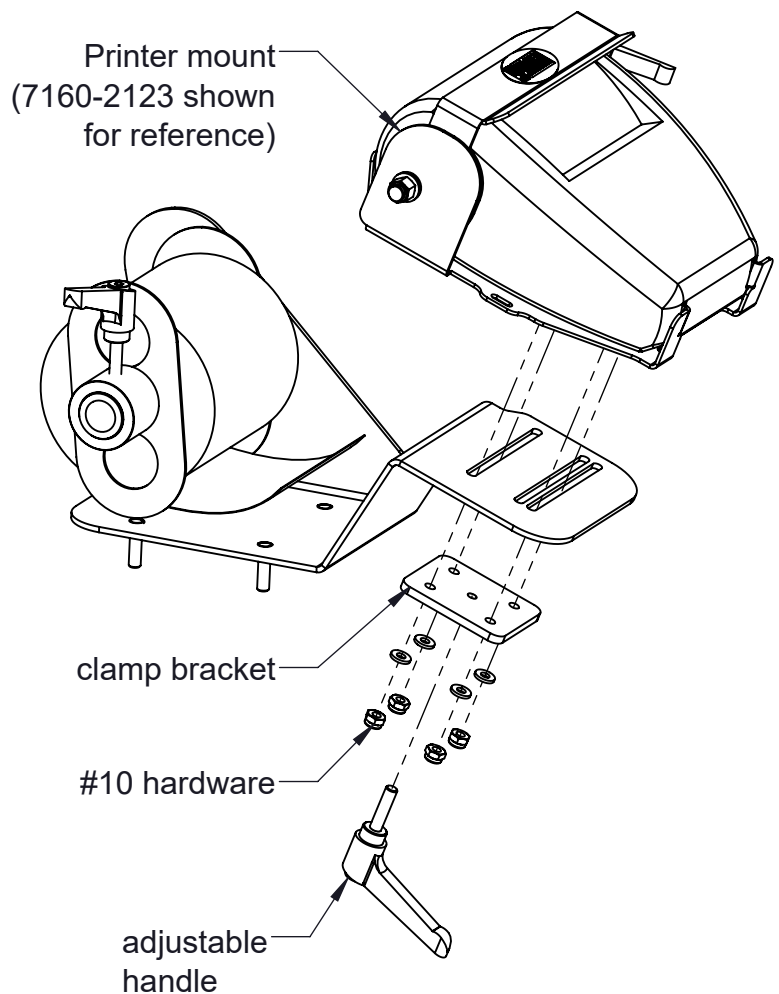
INSTALLATION INSTRUCTIONS

Product 7160-2124-01, 7160-2124-03 Label printer roll mount	Revision Rev A	Form INST-1334 Printing Spec: PS-001
--	--------------------------	--

This instruction sheet is for 7160-2124-01 & -03 label printer roll mounts. The roll mounts are designed to work in conjunction with the Gamber-Johnson printer mounts that have external roll capabilities.

Attaching the printer to the label holder:

1. Attach the printer mount to the label roll mount with the hardware provided in hardware bag 7120-1324.
2. Insert the #10-32 studs through the slots on the printer mount and attach with the #10 nylon washers and lock nuts. Back off the lock nuts until the printer will be able to slide back and forth along the long slots.
3. Attach the 1/4-20 adjustable handle found in the hardware bag to the clamp bracket. Screw the handle into the tapped hole in the center of the bracket. The handle is used to lock the printer in the desired location when aligning with the label roll.



Product Mounting Disclaimer

Gamber-Johnson is not liable under any theory of contract or tort law for any loss, damage, personal injury, special, incidental or consequential damages for personal injury or other damage of any nature arising directly or indirectly as a result of the improper installation or use of its products in vehicle or any other application. In order to safely install and use Gamber-Johnson products full consideration of vehicle occupants, vehicle systems (i.e., the location of fuel lines, brake lines, electrical, drive train or other systems), air-bags and other safety equipment is required. Gamber-Johnson specifically disclaims any responsibility for the improper use or installation of its products not consistent with original vehicle manufactures specifications and recommendations, Gamber-Johnson product instruction sheets, or workmanship standards as endorsed through the Gamber-Johnson Certified Installer Program.

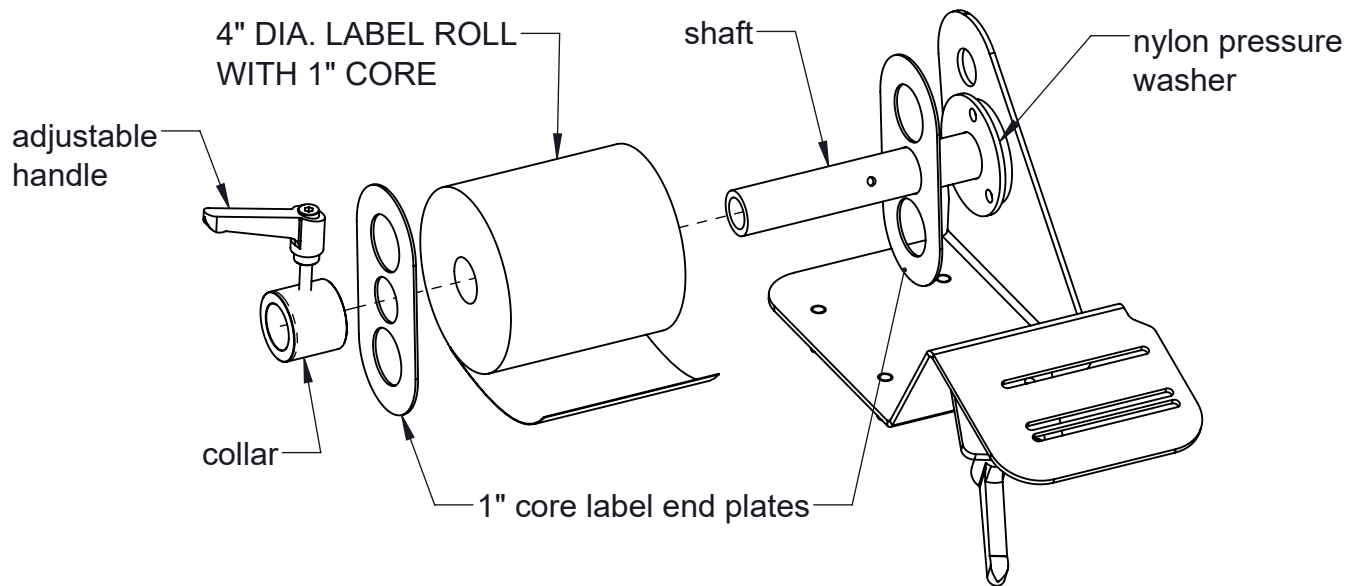
© Copyright 2026 Gamber-Johnson, LLC

If you need assistance or have questions, call Gamber-Johnson at 1-800-456-6868

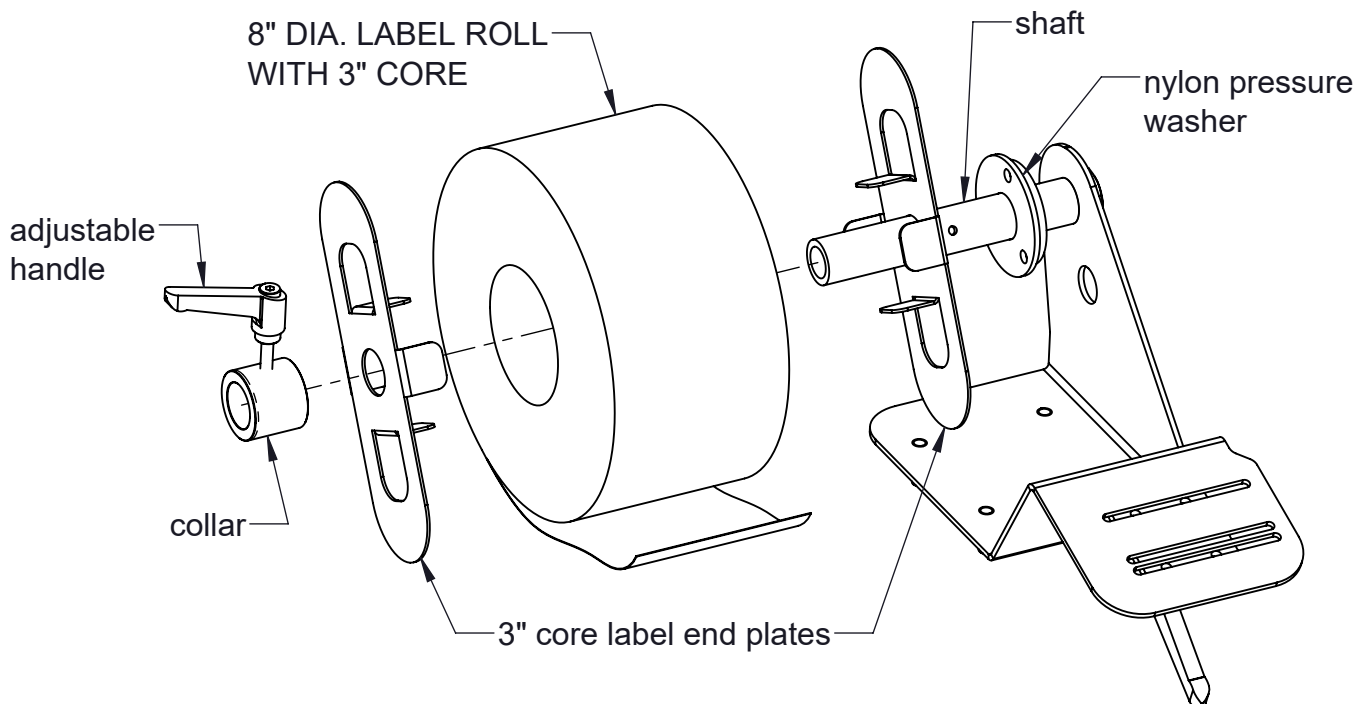
installing the label roll onto the mount:

1. Remove the collar and outer roll end plate from the shaft.
2. Slide the label roll onto the shaft with the labels unwinding from the bottom as shown
3. Re-install the outer roll end plate and the collar onto the shaft.
4. Press on the collar to compress everything into the nylon pressure washer and tighten the adjustable handle to lock the collar onto the shaft. This will determine how much pressure it takes for the printer to pull the labels off the roll.

7160-2124-01 = LABEL ROLL MOUNT FOR 1" LABEL CORES



7160-2124-03 = LABEL ROLL MOUNT FOR 3" LABEL CORES



installing the label roll mount onto the forklift mount:

1. Attach the label roll printer mount to a forklift mount using the Vesa 75mm hole pattern.
2. Insert the 1/4" studs through the mating holes on a GJ clevis with and secure in place with the 1/4" lock nuts supplied in hardware bag 7120-1324.

