



INSTALLATION INSTRUCTIONS

<u>Product</u> 7160-1981 Cradle-Zebra-ET8X	<u>Revision</u> A	<u>Form</u> INST-1203 Printing Spec: PS-001
---	-----------------------------	--

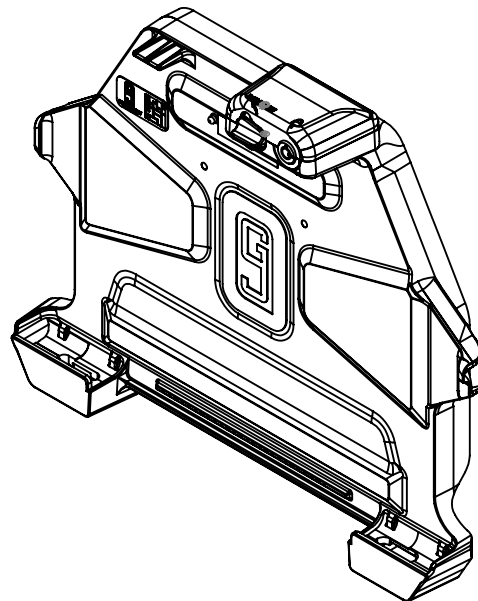
This instruction sheet is for the Zebra ET8X Tablet Cradle only. For instructions on features, set-up, and operation of the computer, please refer to the manual provided by Zebra with the tablet.

This dock is designed to be used with a variety of Gamber-Johnson mounting systems. Installation instructions for other Gamber-Johnson products are provided with each individual product.

This instruction sheet is for the following products:

Item No. 7160-1981-00

Item No. 7160-1981-03



Product Mounting Disclaimer

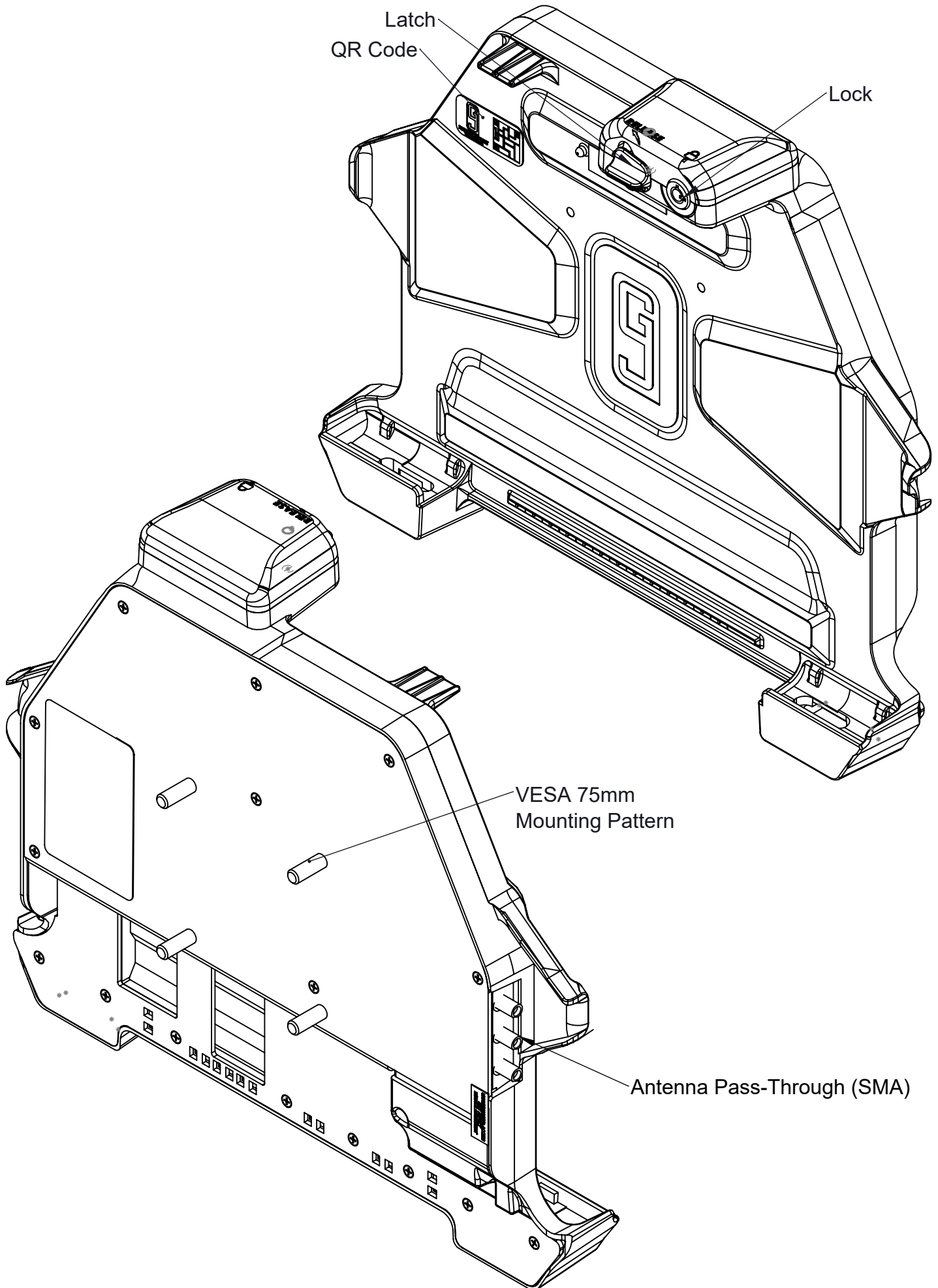
Gamber-Johnson is not liable under any theory of contract or tort law for any loss, damage, personal injury, special, incidental or consequential damages for personal injury or other damage of any nature arising directly or indirectly as a result of the improper installation or use of its products in vehicle or any other application. In order to safely install and use Gamber-Johnson products full consideration of vehicle occupants, vehicle systems (i.e., the location of fuel lines, brake lines, electrical, drive train or other systems), air-bags and other safety equipment is required. Gamber-Johnson specifically disclaims any responsibility for the improper use or installation of its products not consistent with original vehicle manufactures specifications and recommendations, Gamber-Johnson product instruction sheets, or workmanship standards as endorsed through the Gamber-Johnson Certified Installer Program.

© Copyright 2024 Gamber-Johnson, LLC

If you need assistance or have questions, call Gamber-Johnson at 1-800-456-6868



ZEBRA ET8X DOCKING STATION FEATURE IDENTIFICATION



DOCKING AND UNDOCKING THE TABLET

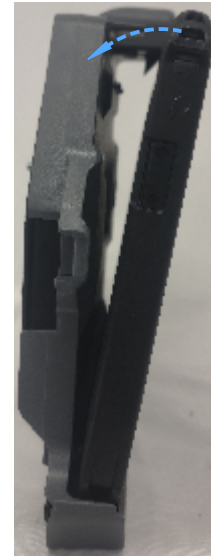
Figure 1

TO DOCK THE TABLET

1. Insert the bottom of the tablet into the cradle (Figure 1)
2. Rotate the top of the tablet into the cradle (Figure 2)
3. While holding the tablet in place, pull the latch down into the closed position (Figure 3)
4. **Use the key to lock and secure the latch when the cradle is in use**



Figure 2



TO UNDOCK THE TABLET

1. Unlock the latch
2. Flip the latch up to release the tablet
3. Pull the tablet out of the cradle from the top of the tablet

Figure 3

