



# INSTALLATION INSTRUCTIONS

<u>Product</u>	<u>Revision</u>	<u>Form</u>
7160-1869-XX	Rev. E	INST-1129
KEYBOARD, 2-in-1 ATTACH, TA PRO4, SIL		Printing Spec: PS-001

This instruction sheet is for the Gamber-Johnson 2-in-1 Attachable Keyboard for TA Pro4 only. For instructions on features, set-up, and operation of the Samsung Tab Active Pro4, please refer to the manual provided with the tablet.

This attachable keyboard is designed to be used with the Samsung Tab Active Pro4 tablet only. It is designed to assist users in the rugged market and be used outside as well as in the office. It is not designed to be mounted in a vehicle as it does not meet the specific safety standards Gamber-Johnson requires for rugged products in the vehicle. Gamber-Johnson offers a full line of products to mount the tablet in the vehicle. Please visit [gamberjohnson.com](http://gamberjohnson.com) for more information.

This instruction sheet is for the following products:

- Item No. 7160-1869-00, English (US)\*
- Item No. 7160-1869-01, English (UK)
- Item No. 7160-1869-02, German
- Item No. 7160-1869-03, French
- Item No. 7160-1869-04, Spanish
- Item No. 7160-1869-05, Italian
- Item No. 7160-1869-06, French (CA)
- Item No. 7160-1869-07, Arabic

For more language options, please contact a Gamber-Johnson or Samsung representative.

\*All images in this document are of the U.S. layout only.



**Product Mounting Disclaimer**

Gamber-Johnson is not liable under any theory of contract or tort law for any loss, damage, personal injury, special, incidental or consequential damages for personal injury or other damage of any nature arising directly or indirectly as a result of the improper installation or use of its products in vehicle or any other application. In order to safely install and use Gamber-Johnson products full consideration of vehicle occupants, vehicle systems (i.e., the location of fuel lines, brakes lines, electrical, drive train or other systems), air-bags and other safety equipment is required. Gamber-Johnson specifically disclaims any responsibility for the improper use or installation of its products not consistent with the original vehicle manufactures specifications and recommendations, Gamber-Johnson product instruction sheets, or workmanship standards as endorsed through the Gamber-Johnson Certified Installer Program.

© Copyright 2024 Gamber-Johnson, LLC

If you need assistance or have questions, call Gamber-Johnson at 1-800-456-6868.

# FEATURE IDENTIFICATION



**Camera Opening**

**Built-in Kickstand**

Provides support when the tablet is open.

**Cover**

**Side Walls**

Provides docking guidance, prevents mis-docking, and provides strength.

**Corner Tablet Opening**

Space to access the tablet to help remove it from the Cover.

**Bumpers**



**Top Latch Ridge**

Provides the latching function to hold the tablet down. Easy to slide on and off.

**Pogo Pin Connector**

Connects the keyboard to the tablet.

**Touchpad**

Capacitive touch allows for multi-finger gestures.

**USB 2.0 Input Port**

(500 mA)

Provides a port to quickly connect digital devices such as flash drives or a mouse.

**USB-C Power Port**

Provides a port to charge the tablet, through the Pogo Pins. Power only.

**Rubber Keys**

**Mouse Buttons**

Standard U.S. layout with 12 function keys.



**Drain Holes**

Allows for excess water to drain.

**Hinge**

**Accessory Inserts**

Allows for the addition of specific accessories such as a carrying handle.

**Rubber Pads**

Provides protection and a non-slip surface.

**Part Number Label**

Provides information on the product. Reference this information regarding any service needs.



# INFORMATION ABOUT USING THIS PRODUCT

## Environmental Conditions

This keyboard, including the Pogo Pins, USB 2.0 Input Port and USB-C Power Port, is IP54 rated. No plug or cover is needed. This rating applies with or without the tablet; however, any damage to the product, even if the product is still functional, may negate the IP rating. There is also a pair of Drain Holes at the bottom of the Cover to help drain excess water.

This keyboard is rated for use and storage at these temperatures:

Operating -20°C to 50°C (-4°F to 122°F)  
Storage -40°C to 85°C (-40°F to 185°F)

This keyboard is tested to a hybrid of Gamber-Johnson rugged standards including life cycle testing of the hinge and the removal of the tablet. It is designed to assist in the rugged market, but it is NOT designed to mount in a vehicle.

## Using the Product

This keyboard is designed to be plug & play with the tablet. Simply connect the tablet.

There is a USB 2.0 Input Port that supplies 500 mA of power. This port can be used to quickly and easily attach a flash drive, mouse, or other digital device with a USB type A plug. There is a USB-C Power Port to charge the tablet. This port is power only and will not transmit data. (See below.)

There are 12 function keys as well as a range of preset quick keys. These keys will not necessarily perform the same function on each application.



The keyboard is designed to work with the Cover open from 110° to 122°. The Rubber Pads and Built-in Kickstand provide support for this range and prevent the keyboard from slipping while being used. The Cover opens to a max of 122°. (See right.)

There is a hard stop to prevent it from opening further. Trying to open the Cover beyond this angle may result in permanent damage.

All features of the tablet, including the camera, S-pen, audio port, microphones, speakers, USB-C, and buttons at the top, remain accessible.



The blue Bumpers and other features provide support for the product to survive vibration if it is loose in a vehicle and closed. They also provide limited support for accidental impact and drops.



There are two Accessory Inserts on the bottom of this keyboard. These are specifically designed for additional accessories produced by Gamber-Johnson. These should not be used for any other devices and will void the product's warranty if used without Gamber-Johnson products. Check out these compatible items: Carry Handle 7160-1615-00 or KIT with Shoulder Strap 7170-0888-00.

# DOCKING AND UNDOCKING THE TABLET

## Docking the Tablet

Visit our website and YouTube channel for more information about the product.

1. Open the Cover by holding down the keyboard and pulling up on the top. It will rotate at the hinge.

2. Position the tablet in the cover by placing the bottom onto the Pogo Pin Connector. The Side Walls will guide the tablet into the correct location.

3. Rotate the tablet back into the Cover. Snap the Top Latch Ridge over the tablet by pressing on the back of the cover, near the corners.



"Latched" Position



## Undocking the Tablet

1. Using your thumb, push upward on the corner of the Top Latch Ridge. There is a slight platform to push on. At the same time, pry forward on the back corner of the tablet using your fingers. Do this on both sides at the same time.

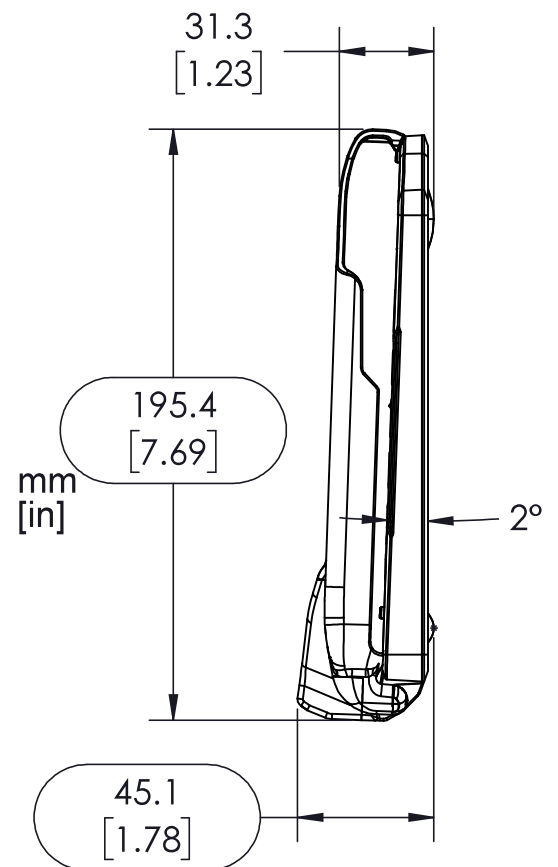
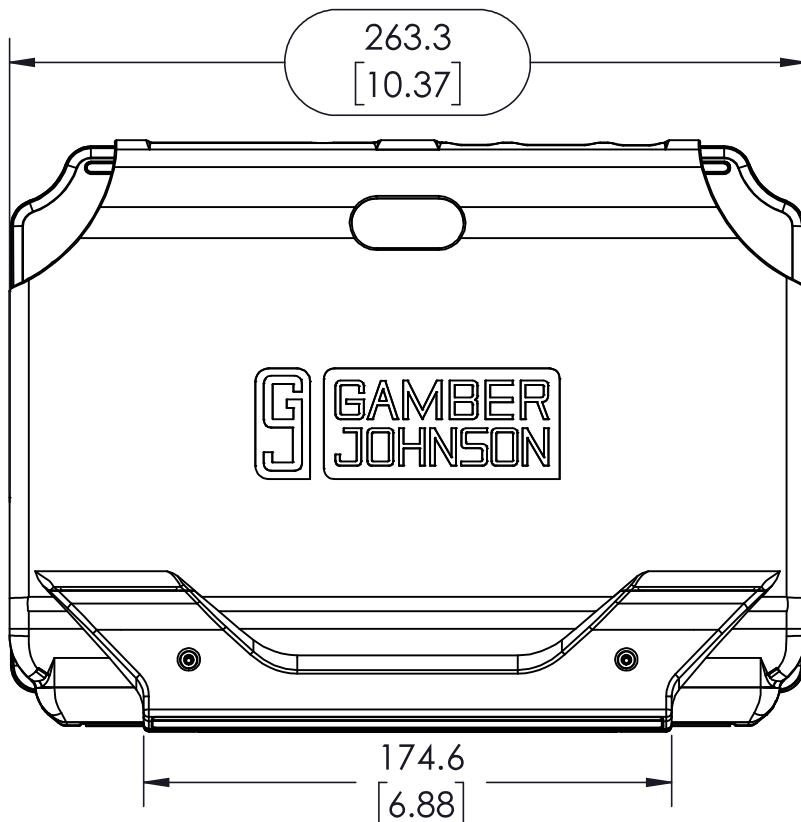
2. Once the top edge of the tablet is free from the Top Latch Ridge of the keyboard, remove the tablet.



# KEYBOARD DETAILS

## SPECIFICATIONS

Data Port	USB 2.0 type A, 500 mA
Charging Port	USB type C, power only
Power	Keyboard uses power from the tablet
Dimensions	263.3 mm (10.37") x 194.3 mm (7.65") x 44.2 mm (1.74")
Weight - Keyboard	0.725 kg (1.60 lbs)
Weight - with Tablet	1.551 kg (3.42 lbs)
Operating Temperature	-20°C to 50°C (-4°F to 122°F)
Storage Temperature	-40°C to 85°C (-40°F to 185°F)
Ingress - Keyboard	IP54
Life Rating	30,000 cycles - Inserting tablet and opening
Speakers	Use tablet speakers
Mounting	None
Compatibility	Android, Tab Active Pro & Tab Active4 Pro
Warranty	1 Year



# REGULATORY CERTIFICATION INFORMATION

Regulatory Model #: **7160-1869**

GJ Model #s & Description:

<b>7160-1869-00,</b>	Keyboard, 2-in-1 Attach, TA Pro4, English (US)
<b>7160-1869-01,</b>	Keyboard, 2-in-1 Attach, TA Pro4, English (UK)
<b>7160-1869-02,</b>	Keyboard, 2-in-1 Attach, TA Pro4, German
<b>7160-1869-03,</b>	Keyboard, 2-in-1 Attach, TA Pro4, French
<b>7160-1869-04,</b>	Keyboard, 2-in-1 Attach, TA Pro4, Spanish
<b>7160-1869-05,</b>	Keyboard, 2-in-1 Attach, TA Pro4, Italian
<b>7160-1869-06,</b>	Keyboard, 2-in-1 Attach, TA Pro4, French (CA)
<b>7160-1869-07,</b>	Keyboard, 2-in-1 Attach, TA Pro4, Arabic

Certifications:

- EN 55032: 2015 / AC: 2016, Class B
- EN 55035: 2017
- IEC60529: 2013, IP54 rated

This device complies with Part 15 of the FCC Rules. Operation is subject to the following two conditions: (1) This device may not cause harmful interference, and (2) this device must accept any interference received, including interference that may cause undesired operation.



Gamber-Johnson LLC, 5001 Joerns Dr.,  
Stevens Point, WI, 54481, USA, 715-344-3482