



PRODUCT GUIDE

DELL RUGGED LAPTOP DOCKING STATION

PRODUCT NUMBER(S)

7160-1982 SERIES



For more language options and/or questions, please contact a Gamber-Johnson representative at **+1 800.756.9198**

Since 1954, we have been dedicated to providing **RUGGED**, **RELIABLE**, and **RESPONSIVE** solutions that empower professionals in the field.

Thank you for choosing Gamber-Johnson.

Welcome to your new **Gamber-Johnson Docking Station**—engineered for **mission-critical reliability** in the toughest environments. At Gamber-Johnson, we understand that your technology is more than a tool; it's a lifeline. That's why our rugged mounting solutions and docking stations are designed to integrate seamlessly with your equipment, ensuring **secure connections** and **reliable performance** wherever your job takes you.

This guide will walk you through the safe and effective installation of your **Docking Station**.

Inside, you'll find:

- Inventory list of what's included
- Step-by-step installation instructions
- Images for easy reference
- Essential safety information to ensure proper setup and operation

Our commitment to **quality**, **durability**, and **rugged reliability** is built into every product we make.

Important: Before you begin, please carefully review all safety instructions provided in this guide. For vehicle applications, we recommend professional installation by qualified technicians with experience in automotive electrical systems and aftermarket vehicle equipment installation.

For additional product information, installation tips, or support, please contact your Gamber-Johnson representative at **+1 800.756.9198** or visit **www.gamberjohnson.com**.

PAGE	SECTION
1	Cover Page
2	Introduction
3	Table Of Contents
4	Components Included
5	Notes
6	Feature Identification
7	Port Identification
8-9	Safety Information
10	Installation
11	Docking & Undocking
12	Regulatory
13	Warranty
14	E.U. Safety Info



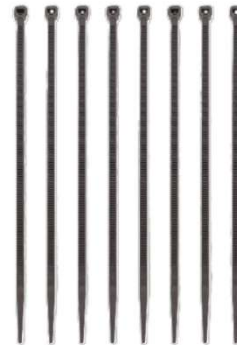
QTY	P/N	DESCRIPTION
1	7160-1982-XX	Dell Rugged Docking Station



QTY	P/N	DESCRIPTION
1	N/A	Keys



QTY	P/N	DESCRIPTION
1	7120-0413	Hardware Bag - 1/4-20 x .5 HHCS w/ Split Lock Washer



QTY	P/N	DESCRIPTION
1	7120-0542	Hardware Bag – Cable Ties(5.6")

This Product Guide is for the **Dell Rugged Laptop Docking Station**.

Before you begin installation, please review all safety instructions to ensure proper setup. For instructions on computer features, setup, and operation, refer to your device’s manual.

This docking station is designed to work seamlessly with Gamber-Johnson’s extensive line of rugged mounting systems. Visit www.gamberjohnson.com/products to explore our full range of solutions and accessories. Installation instructions for additional Gamber-Johnson products are included with each individual product.

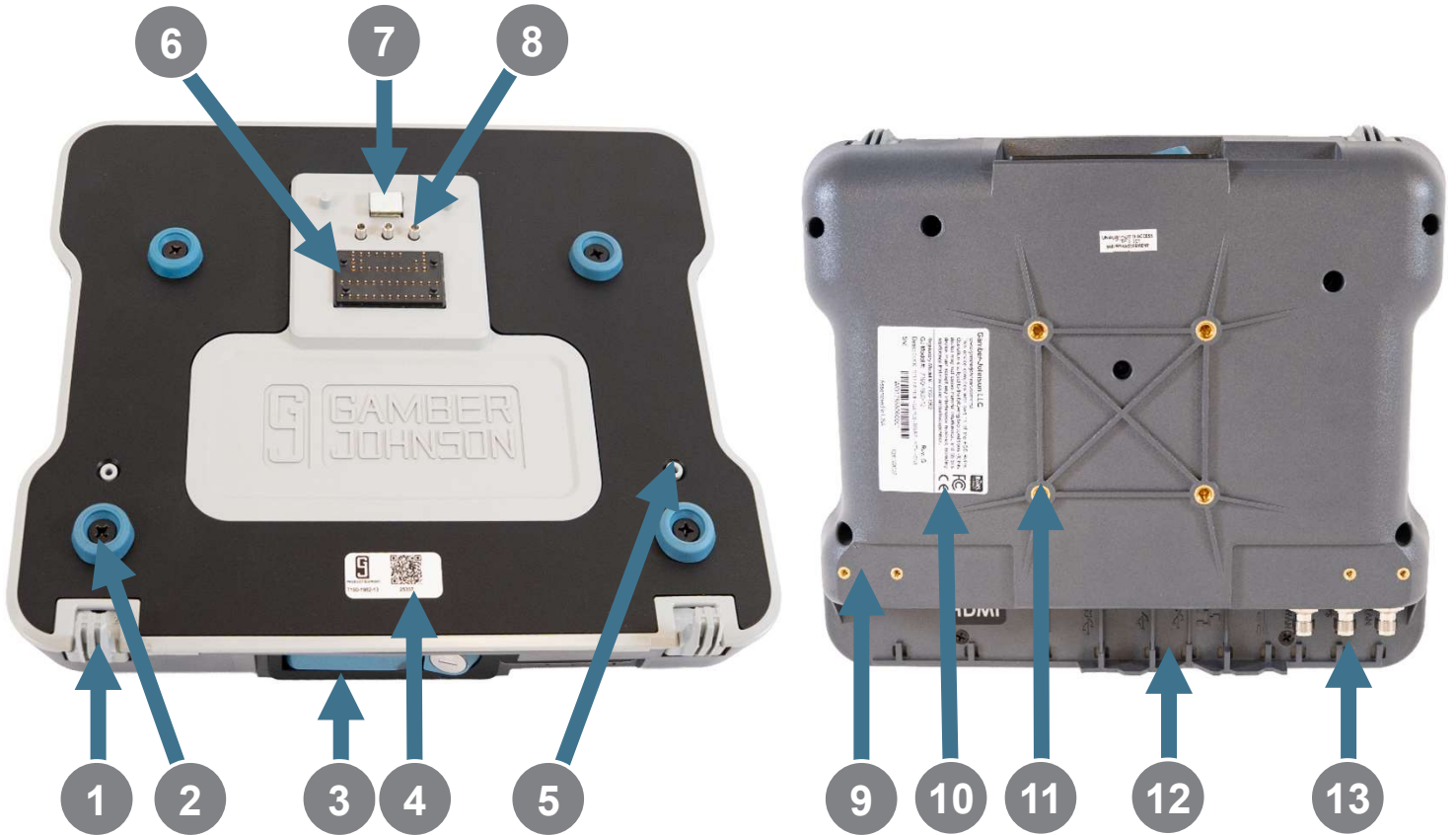
Important: Before installation, ensure you have the recommended power adapters to power the docking station. These can be ordered separately from Gamber-Johnson. Please refer to the list of compatible power supplies included below.

PRODUCT SELECTION	
MODEL NUMBER	DESCRIPTION
7300-0714	Lind Power Supply – Auto, 11-16 Vdc Input, 19 Vdc 120-Watt Output, Bare Wire
7300-0305	Lind Power Supply – Isolated, 12-32 Vdc Input
7300-0306	Lind Power Supply – Isolated, 20-60 Vdc Input
7300-0430	Lind Power Supply – Isolated, 72-110 Vdc Input

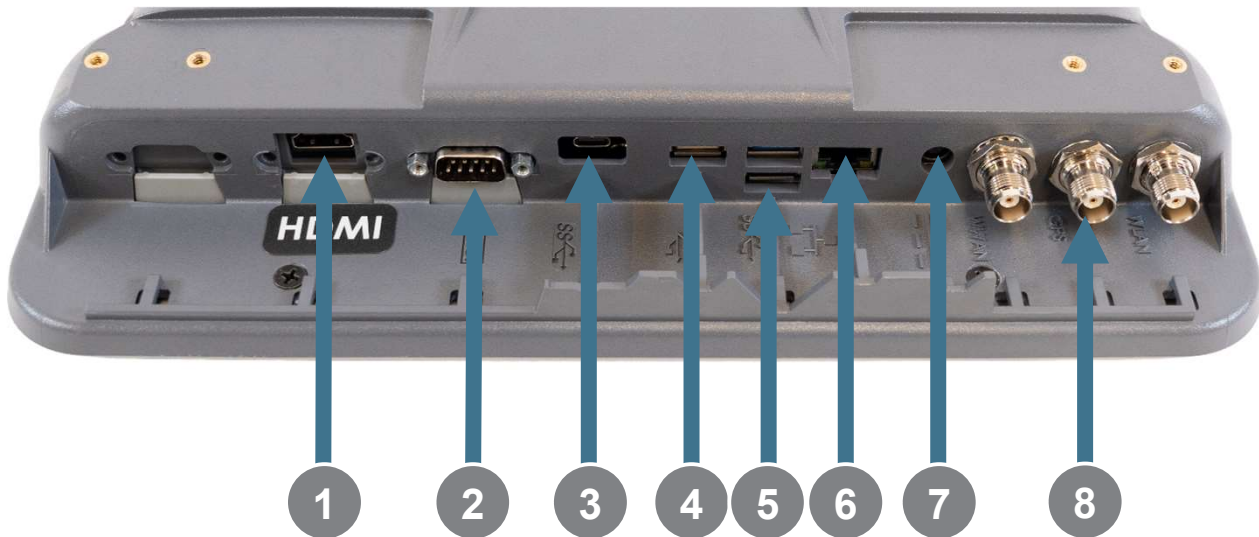
NOTICE

****DOCKING STATION DRIVERS ARE REQUIRED****
 VISIT WWW.GAMBERJOHNSON.COM TO DOWNLOAD THE REQUIRED DOCKING STATION DRIVERS FOR YOUR DEVICE
WWW.GAMBERJOHNSON.COM > SUPPORT > DOCKING DRIVERS

For additional product information, installation tips, or support, please contact your Gamber-Johnson representative at **+1 800.756.9198**.



	DESCRIPTION
1	Front Hooks
2	Bumpers
3	Keyed Lockable Latch
4	Product QR Code
5	Front Hook Adjustment Button
6	Floating Docking Connector
7	Rear Hook
8	Laptop Interface Pass-Thru Antenna (Optional, -03 and -13 Models only)
9	Screen Support Mounting
10	Product Part Number/ Seral Number Label
11	Vesa 75 Mounting
12	Integrated Cable Restraint
13	TNC RF Connections (Antenna Identification: WWAN – Left, GPS – Center, WLAN - Right) *As Shown Above (Optional, -03 and -13 Models only)



	DESCRIPTION
1	HDMI Port (Optional, -10 and -13 models only)
2	RS-232 Serial Port
3	USB-C 3.0
4	USB-A 2.0
5	(2) USB-A 3.0
6	RJ-45 Ethernet Port
7	DC In - 19V, 120 Watt
8	TNC RF Connections – WWAN - Left, GPS - Center, WLAN - Right As Shown (Optional, -03 and -13 models only)

Safety is dependent on the proper installation and servicing of this docking station. It is important to read and follow all instructions before installing this product.

To properly install a Gamber-Johnson docking station you must have a good understanding of automotive electrical procedures and systems, along with proficiency in the installation and service of aftermarket vehicle equipment.

There are no adjustments required at any time of the electrical components within the docking station.

Opening the docking station will void the product warranty.

During Installation:

- Do not connect this docking station to the vehicle battery until:
 - All other electrical connections are made
 - Mounting of all components is complete
 - Verification that no shorts exist in the entire system

After Installation:

- Test the docking station to ensure that it is working properly.

General Safety Notes:

- Do not install equipment or route wires or cords in the deployment path of any air bag.
- When drilling into the vehicle, DO make sure that both sides of the surface are clear of anything that could be damaged.

CAUTION

If wiring is shorted to the frame, high current conductors can cause hazardous sparks resulting in electrical fires or flying molten metal.

WARNING

Failure to follow all safety precautions and instructions may result in property damage, serious injury, or death.

File these instructions in a safe place and refer to them when performing maintenance or reinstalling.

Conduct a "Bench Test"

Gamber-Johnson strongly advises a "bench test" be conducted to verify all electronic and software issues are resolved prior to installation:

Before Installation:

- Make sure the computer is operational by itself.
- Insert computer into the docking station and verify that the computer is operating in the dock.
- Interconnect entire assembly and verify start-up of all components, including other equipment (printers, modems, scanners, etc.)

Gamber-Johnson recommends positioning of all mounts and equipment in the vehicle prior to the actual install to verify that mounting locations are safe and practical.



Figure 1



Figure 2

1. A mount with a VESA 75 pattern is required to mount the docking station using the 1/4"-20 inserts on the bottom of the docking station. (Figure 1)
2. Attach the docking station to the selected mount using the 1/4"-20" hardware from the 7120-0413 Hardware Bag.
3. An optional screen support is recommended on laptop docking stations/ cradles in high vibration environments. Attach the optional 7110-1213 screen support to the left or right mounting location using the #6-32 screws from screen support hardware bag. (Figure 2)



Figure 3

1. Use cable ties provided in hardware bag 7120-0542 to secure each port cable to the specific strain relief feature on the docking station. (Figure 3)
2. Use cable ties to secure bundled cables exiting the docking station for improved routing. The bundled cables should be routed to the side that will create no strain or stress to the cables or connections.

Operation: Front Hook Adjustment

1. Press & hold down recessed button down using a pointed device. (Figure 1)
2. Move hooks to appropriate location.

Hook Setting 1 - Latitude 5430 & 7330 12" & 13" Rugged and Rugged Extreme Laptop, and Dell Pro Rugged 13 & 14. (Figure 2)

Hook Setting 2 - Latitude 7214 12" Rugged Extreme Convertible Laptop. (Figure 3)

Hook Setting 3 - Latitude 5404, 5414, 5420, 5424, 7204 14" Rugged Laptop. (Figure 4)

Hook Setting 4 - Latitude 7424 14" Rugged Extreme Laptop. (Figure 5)

Hook Setting 5 - Latitude 7404, 7414 14" Rugged Extreme Business Laptop. (Figure 6)

3. Release recessed button. **Note:** Verify button fully pops back up after being released..



Figure 1



Figure 2



Figure 3



Figure 4



Figure 5



Figure 6

Operation: Docking

1. With the front latch open, insert the laptop into the front hooks as shown. (Figure 1)
2. Lower rear of laptop onto the docking station and then apply light pressure to the center rear of the laptop into the docking station. (Figure 2)
3. Close the latch to engage the rear hook into the back of the laptop. (Figure 3)
4. (Optional) Turn the lock 90 degrees to the lock position (CCW) to secure the laptop in docking station.



Figure 1



Figure 2



Figure 3

Operation: Un-Docking

1. Unlock the docking station if previously locked. Turn lock 90 degrees to the unlocked position (CW).
2. Push inward on the latch release until the rear hook disengages from the laptop. Apply light pressure to the center rear of the laptop if the rear hook doesn't release. (Figure 4)
3. Lift the rear of the laptop up from the docking station and then out from the front hooks. (Figure 5)



Figure 4



Figure 5

Recommended Supplies:

Compressed Air(Canned or Low-Pressure Compressor)

Electronics Cleaner

ESD Swabs

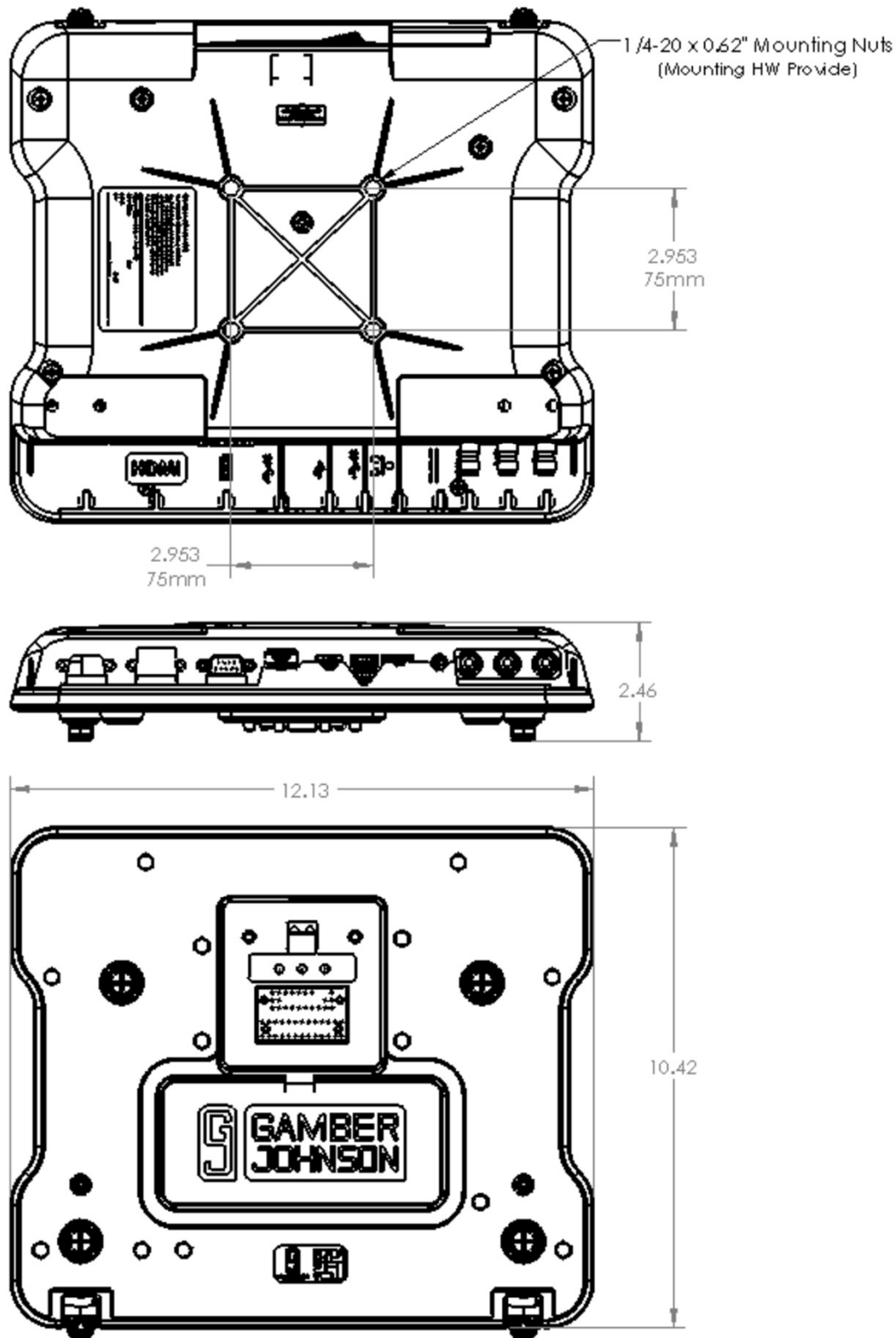
Anti-static Soft Bristle Brush

70% Isopropyl Alcohol Solution

Soft Cleaning Cloth

1. In order to prevent electronic shorts, always disconnect power and devices from the docking station before cleaning.
2. Use compressed air to blow any excess dust from connector area. Use an anti-static brush to gently brush away dirt from connector area.
3. If the docking station has caked on dirt/dust, use Electronics Cleaner and an ESD Swab to gently clean connector. **Always disconnect power and devices from dock when using electronics cleaner to prevent shorts.**
4. The body of the docking station may be cleaned with a soft cleaning cloth dampened slightly with Isopropyl Alcohol solution. Use caution to not contact the electrical connector or any other electronic connections. Do not use other chemicals or abrasives.
5. Let the docking station dry completely before reconnecting power and devices.

WEIGHT
5.6 lbs



REGULATORY MODEL #: 7160-1982

GAMBER JOHNSON MODEL #'s & DESCRIPTION:

7160-1982-00	Dock - DELL RUGGED LATITUDE LAPTOP - NO RF - NO HDMI
7160-1982-03	Dock - DELL RUGGED LATITUDE LAPTOP - TRI RF - NO HDMI
7160-1982-10	Dock - DELL RUGGED LATITUDE LAPTOP - NO RF - WITH HDMI
7160-1982-13	Dock - DELL RUGGED LATITUDE LAPTOP - TRI RF - WITH HDMI

CERTIFICATIONS

EN 55032: 2015/A11: 2020 Class A

EN 50498:2010

ICES-003, Issue 7

AS/NZS CISPR 32: 2015



This device complies with Part 15 of the FCC Rules. Operation is subject to the following two conditions. (1) this device may not cause harmful interference, and (2) this device must accept any interference received, including interference that may cause undesired operation.



SCAN HERE TO VIEW WARRANTY INFORMATION

www.gamberjohnson.com/product-services/warranty-information

Product Mounting Disclaimer

Gamber-Johnson is not liable under any theory of contract or tort law for any loss, damage, personal injury, special, incidental or consequential damages for personal injury or other damage of any nature arising directly or indirectly as a result of the improper installation or use of its products in vehicle or any other application. In order to safely install and use Gamber-Johnson products full consideration of vehicle occupants, vehicle systems (i.e., the location of fuel lines, brake lines, electrical, drive train or other systems), air-bags and other safety equipment is required. Gamber-Johnson specifically disclaims any responsibility for the improper use or installation of its products not consistent with original vehicle manufactures specifications and recommendations, Gamber-Johnson product instruction sheets, or workmanship standards as endorsed through the Gamber-Johnson Certified Installer Program.

© Copyright 2026 Gamber-Johnson, LLC

QUESTIONS OR NEED MORE INFORMATION?

NO PROBLEM, WE'RE HERE TO HELP!

Call us at: **+1 800.756.9198**

Email us at: sales@gamberjohnson.com

Visit www.gamberjohnson.com to see our complete line of solutions and hang with us on social media at [@gamberjohnson](https://www.instagram.com/gamberjohnson)