



INSTALLATION INSTRUCTIONS

Product

7160-2179

Revision

Rev A

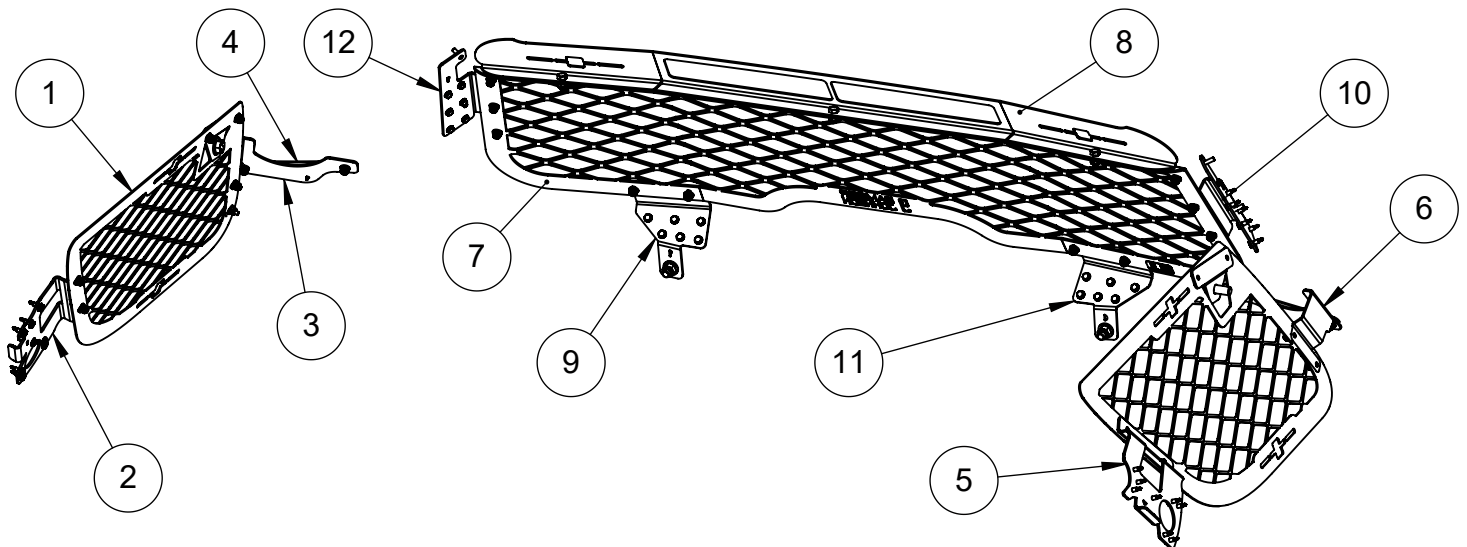
Form

INST-1259

CARGO WINDOW GUARDS - CHEVY TAHOE 2021+

Printing Spec: PS-001

ITEM NO.	QTY	PartNo	DESCRIPTION
1	2	22434	DIAMOND GUARD - SIDES
2	1	22435	BRACKET - PS SIDE WINDOW FRONT
3	1	22436	BRACKET - PS SIDE WINDOW REAR
4	2	22439	BRACKET BACK - SIDE WINDOW
5	1	22437	BRACKET - DS SIDE WINDOW FRONT
6	1	22438	BRACKET - DS SIDE WINDOW REAR
7	1	22440	DIAMOND GUARD - HATCH
8	1	22444	HATCH FILLER
9	1	22449	BRACKET - PS HATCH BOTTOM
10	1	22450	BRACKET - DS HATCH
11	1	22453	BRACKET - DS HATCH BOTTOM
12	1	22454	BRACKET - PS HATCH
13	1	7120-1295	HARDWARE BAG - #10-16 x 0.625 HHFBSDS QTY 50
14	1	7120-1296	HARDWARE BAG



OPTIONAL: FIRE EXTINGUISHER BRACKET: 7160-2180 - SOLD SEPARATELY

Product Mounting Disclaimer

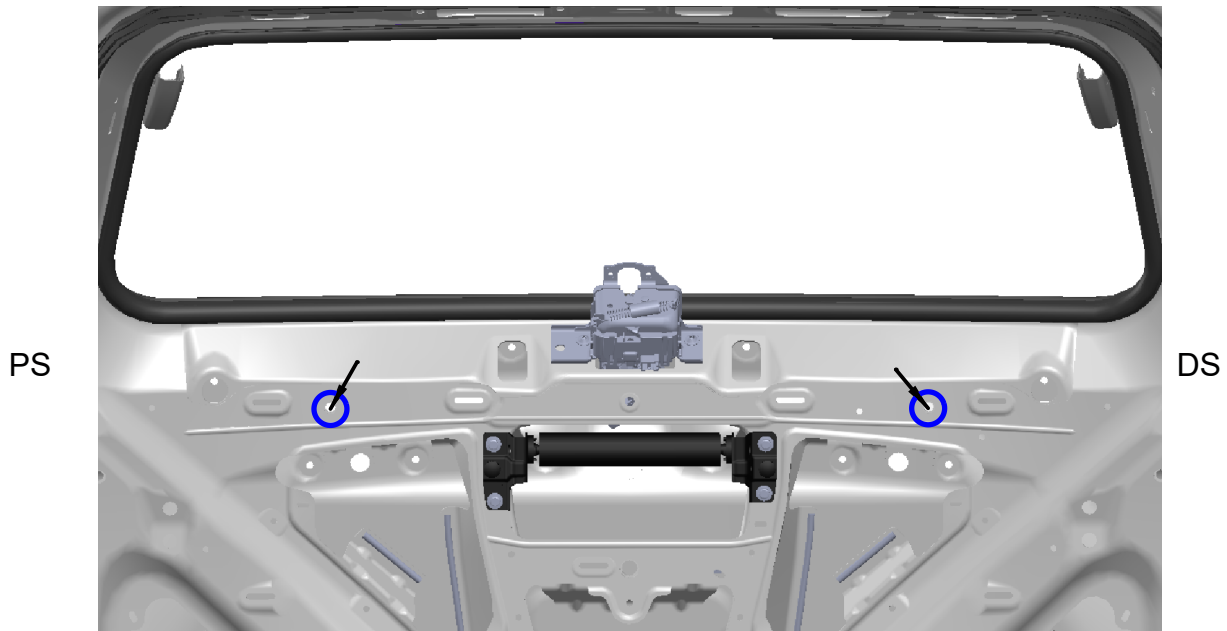
Gamber-Johnson is not liable under any theory of contract or tort law for any loss, damage, personal injury, special, incidental or consequential damages for personal injury or other damage of any nature arising directly or indirectly as a result of the improper installation or use of its products in vehicle or any other application. In order to safely install and use Gamber-Johnson products full consideration of vehicle occupants, vehicle systems (i.e., the location of fuel lines, brake lines, electrical, drive train or other systems), air-bags and other safety equipment is required. Gamber-Johnson specifically disclaims any responsibility for the improper use or installation of its products not consistent with original vehicle manufactures specifications and recommendations, Gamber-Johnson product instruction sheets, or workmanship standards as endorsed through the Gamber-Johnson Certified Installer Program.

© Copyright 2025 Gamber-Johnson, LLC

If you need assistance or have questions, call Gamber-Johnson at 1-800-456-6868

HATCH GUARD INSTALLATION - BOTTOM BRACKETS:

1. Remove the OEM vehicle trim from the hatch per FSM (Factory Service Manual) and locate the mounting holes shown below.



Hatch body viewed from inside vehicle

2. On each side, route the 3/8 x 1" fastener (from HW bag 7120-1296) through the hole from the inside of the hatch as shown. Place the corresponding HATCH BRACKET - BOTTOM onto the fastener and secure in place with the 3/8" washer and 3/8" nylok nut. Press the bracket against the rubber edge trimming and finish securing with the self drilling screws.



Driver side shown

HATCH GUARD INSTALLATION - UPPER BRACKETS:

3. On both the driver side and passenger side of the hatch, pull the wire harness clips out from the hatch.

Note:

Two round black clips on the passenger side
Two slotted white clips on the driver side

4. With the clips removed, place the two studs of the corresponding DS or PS HATCH BRACKET (items ⑩ and ⑫) into the holes(on passenger side) and slots (on driver side) to ensure the brackets are correctly aligned. Secure them in place using the self drilling screws.



Passenger side clips shown



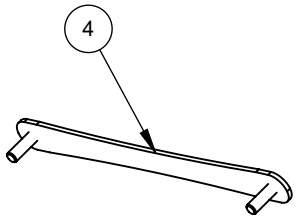
Driver side bracket being installed into slots

5. No cutting of the vehicle trim is necessary. Reinstall the trim and press the HATCH GUARD (item ⑦) onto the studs of the brackets. Secure using the #10 washers and #10 nylok nuts.



SIDE GUARD INSTALLATION:

6. On each side of the vehicle, remove both OEM trim pieces from the D-pillar per the FSM. Route the BRACKET BACKER (item ④) through the large hole and into the clearance holes as shown below:



Passenger side shown

7. Install each REAR SIDE WINDOW BRACKET (items ③ and ⑥) onto the studs of item ④ and fasten using the #10 washer and #10 nylok nuts.

8. Cut the vehicle trim approximately as shown to clear the REAR BRACKETS .



Driver side OEM trim to cut



Passenger side bracket installed

SIDE GUARD INSTALLATION - CONTINUED:

9. On each side of the vehicle, remove the upper C-pillar trim per the FSM and align the PS and DS FRONT SIDE WINDOW BRACKETS (items ② and ⑤) to the contours of the vehicle as shown. Fasten the brackets to the vehicle using the self drilling screws.



Driver side shown

10. Cut the vehicle trim as necessary to clear the bracket as shown:



Passenger side shown

SIDE GUARD INSTALLATION - CONTINUED:

11. If the vehicle was not equipped with 3rd row seat belts, the OEM bracket shown below will need to be tapped to 7/16-20.



Passenger side shown

12. If the vehicle was equipped with 3rd row seat belts, remove the OEM fastener and install the SIDE WINDOW GUARDS on each side of the vehicle. Fasten using either the OEM bolt or the provided 7/16 washer and 7/16 fastener, #10 washers and #10 nylocks.

Note: the SIDE WINDOW GUARDS come pre-assembled with the upper angled bracket, making a passenger side and driver side.



Driver side shown

INSTALLATION IS COMPLETE