

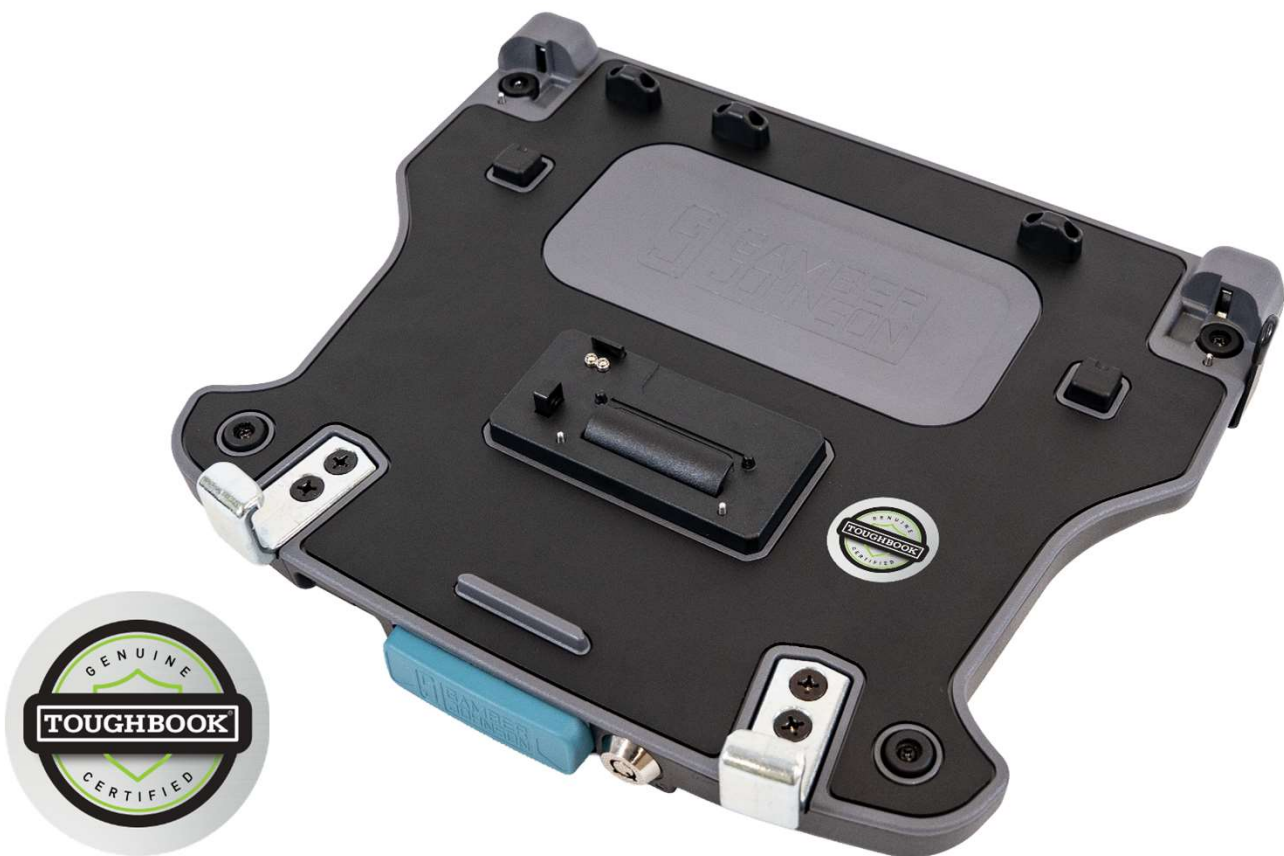


# PRODUCT GUIDE

## PANASONIC TB55/TB56 LAPTOP DOCKING STATION

### PRODUCT NUMBER(S)

7160-2075 SERIES



For more language options and/or questions, please contact a Gamber-Johnson representative at **+1 800.756.9198**

Since 1954, we have been dedicated to providing **RUGGED**, **RELIABLE**, and **RESPONSIVE** solutions that empower professionals in the field.

## Thank you for choosing Gamber-Johnson.

Welcome to your new **Gamber-Johnson Docking Station**—engineered for **mission-critical reliability** in the toughest environments. At Gamber-Johnson, we understand that your technology is more than a tool; it's a lifeline. That's why our rugged mounting solutions and docking stations are designed to integrate seamlessly with your equipment, ensuring **secure connections** and **reliable performance** wherever your job takes you.

This guide will walk you through the safe and effective installation of your **Docking Station**.

Inside, you'll find:

- Inventory list of what's included
- Step-by-step installation instructions
- Images for easy reference
- Essential safety information to ensure proper setup and operation

Our commitment to **quality**, **durability**, and **rugged reliability** is built into every product we make.

**Important:** Before you begin, please carefully review all safety instructions provided in this guide. For vehicle applications, we recommend professional installation by qualified technicians with experience in automotive electrical systems and aftermarket vehicle equipment installation.

For additional product information, installation tips, or support, please contact your Gamber-Johnson representative at **+1 800.756.9198** or visit **[www.gamberjohnson.com](http://www.gamberjohnson.com)**.

<b>PAGE</b>	<b>SECTION</b>
1	<b>Cover Page</b>
2	<b>Introduction</b>
3	<b>Table Of Contents</b>
4	<b>Components Included</b>
5	<b>Notes</b>
6	<b>Feature Identification</b>
7	<b>Port Identification</b>
8-9	<b>Safety Information</b>
10	<b>Installation</b>
11	<b>Docking &amp; Undocking</b>
12	<b>Screen Support Installation</b>
13	<b>Product Care</b>
14	<b>Specifications</b>
15	<b>Regulatory</b>
16	<b>Warranty</b>
17	<b>EU Safety Information</b>



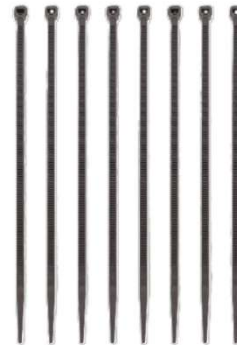
QTY	P/N	DESCRIPTION
1	7160-2075-XX	Panasonic TB55/TB56 Docking Station



QTY	P/N	DESCRIPTION
1	N/A	Keys



QTY	P/N	DESCRIPTION
1	7120-0413	Hardware Bag - 1/4-20 x .5 HHCS w/ Split Lock Washer



QTY	P/N	DESCRIPTION
1	7120-0542	Hardware Bag – Cable Ties(5.6")

This Product Guide is for the **Panasonic TB55/TB56 Laptop Docking Station**.

Before you begin installation, please review all safety instructions to ensure proper setup. For instructions on computer features, setup, and operation, refer to your device’s manual.

This docking station is designed to work seamlessly with Gamber-Johnson’s extensive line of rugged mounting systems. Visit [www.gamberjohnson.com/products](http://www.gamberjohnson.com/products) to explore our full range of solutions and accessories. Installation instructions for additional Gamber-Johnson products are included with each individual product.

### TB55 Compatibility

New drivers for TB55 of FZ-55[A/B/C] and FZ-55[D/E/F] are needed to be compatible with this Docking Station, and driver is released in TOUGHBOOK Support page with URL below:

<https://global-pc-support.connect.panasonic.com>

### Pass Through Antennas

TB55: External/Internal antenna is only selected using the physical switch located on the vehicle docking station.

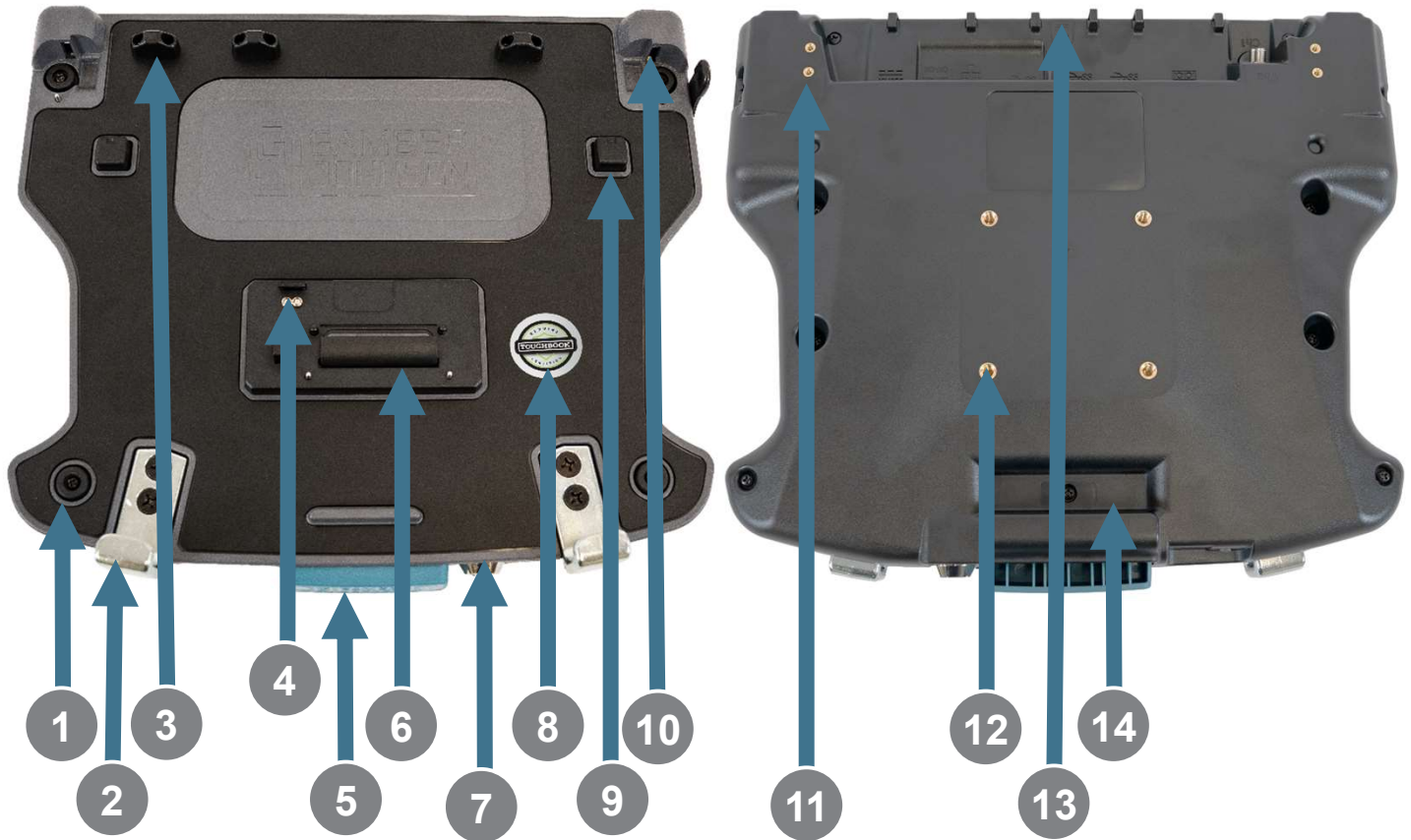
TB56: External/Internal antenna can be selected within the BIOS of the device as described below:

- Auto Mode: Antenna is selected only by the physical switch on the vehicle docking station.
- PC/Built-In Mode (Default): Antenna is fixed to internal antenna and is not dependent on the antenna switch

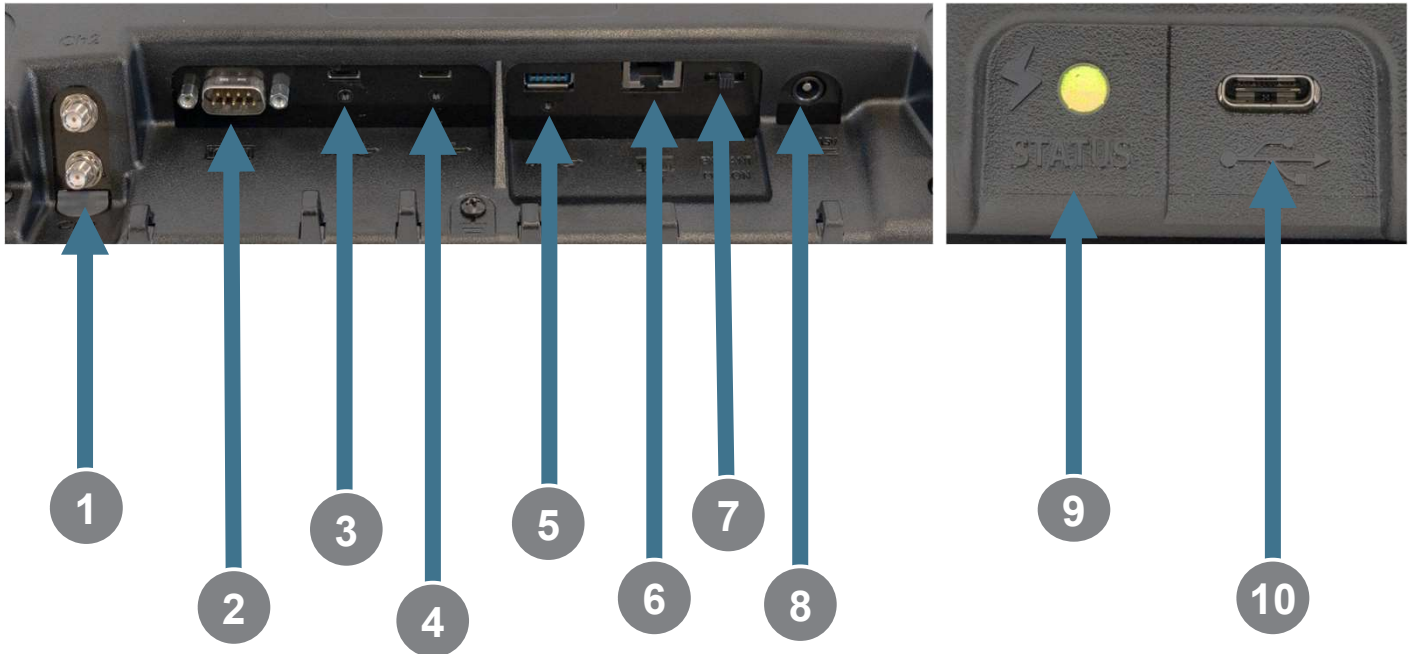
**Important:** Before installation, ensure you have the recommended power adapters to power the docking station. These can be ordered separately from Gamber-Johnson. Please refer to the list of compatible power supplies included below.

PRODUCT SELECTION	
MODEL NUMBER	DESCRIPTION
7300-0461	Lind Power Supply – Auto, 12-32 Vdc Input, 15 Vdc 120-Watt Output, Bare Wire
7300-0747	Lind Power Supply – Auto, 12-32 Vdc Input, 15 Vdc 120-Watt Output, Cig Adapter

For additional product information, installation tips, or support, please contact your Gamber-Johnson representative at **+1 800.756.9198**.



	DESCRIPTION
1	Bumpers
2	Front Hooks
3	Laptop Port Block-off's
4	Laptop Interface Pass-Thru Antenna (Left – CH1, Right – CH2) *As Shown Above (-02, -12, -22 SKU's only)
5	Release Handle
6	Floating Docking Connector with Guard
7	Keyed Barrel Lock
8	TOUGHBOOK Certified Docking Station
9	Latching Actuators
10	Rear Hooks
11	Screen Support Mounting
12	Vesa 75 Mounting (1/4-20 Hardware Provided, Recommended Torque – 30 in/lbs)
13	Integrated Cable Restraint
14	Hand Grip



	DESCRIPTION
1	SMA RF Connections (Antenna Identification: Ch1 – Bottom, Ch2 – Top) *As Shown Above (-02, -12, -22 SKU's only)
2	RS-232 Serial Port (-00, -02, -20, -22 models only) (Powered on -20 and -22 models – 1000mA)
3	USB-C 3.2 Port (1500mA) (DP ALT Mode on -00, -02, -20, -22 models)
4	USB-C 3.2 Port (900 mA)
5	USB-A 3.2 Port (1500 mA)
6	RJ-45 Ethernet Port
7	External Antenna Switch (Internal Antenna – Off/Left, External Antenna – On/Right) *As Shown Above
8	DC In - 15V, 120 Watt
9	Status Indicator (Green – Dock Powered with PC Connected, Orange –PC Connected but no Power to Dock, Red – Dock Powered but PC detected)
10	USB-C 2.0 (500 mA)

Safety is dependent on the proper installation and servicing of this docking station. It is important to read and follow all instructions before installing this product.

To properly install a Gamber-Johnson docking station you must have a good understanding of automotive electrical procedures and systems, along with proficiency in the installation and service of aftermarket vehicle equipment.

There are no adjustments required at any time of the electrical components within the docking station.

**Opening the docking station will void the product warranty.**

### **During Installation:**

- Do not connect this docking station to the vehicle battery until:
  - All other electrical connections are made
  - Mounting of all components is complete
  - Verification that no shorts exist in the entire system

### **After Installation:**

- Test the docking station to ensure that it is working properly.

### **General Safety Notes:**

- Do not install equipment or route wires or cords in the deployment path of any air bag.
- When drilling into the vehicle, DO make sure that both sides of the surface are clear of anything that could be damaged.

## **CAUTION**

If wiring is shorted to the frame, high current conductors can cause hazardous sparks resulting in electrical fires or flying molten metal.

## **WARNING**

Failure to follow all safety precautions and instructions may result in property damage, serious injury, or death.

File these instructions in a safe place and refer to them when performing maintenance or reinstalling.

## Conduct a "Bench Test"

Gamber-Johnson strongly advises a "bench test" be conducted to verify all electronic and software issues are resolved prior to installation:

### **Before Installation:**

- Make sure the computer is operational by itself.
- Insert computer into the docking station and verify that the computer is operating in the dock.
- Interconnect entire assembly and verify start-up of all components, including other equipment (printers, modems, scanners, etc.)

*Gamber-Johnson recommends positioning of all mounts and equipment in the vehicle prior to the actual install to verify that mounting locations are safe and practical.*



1. A mount with a VESA 75 pattern is required to mount the docking station using the ¼"-20 inserts on the bottom of the docking station.
  2. Attach the docking station to the selected mount using the ¼"-20" hardware from the 7120-0413 Hardware Bag.
- 



1. Use cable ties provided in hardware bag 7120-0542 to secure each port cable to the specific strain relief feature on the docking station.
2. Use cable ties to secure bundled cables exiting the docking station for improved routing. The bundled cables should be routed to the side that will create no strain or stress to the cables or connections.

## Operation: Docking

1. Ensure the computer is powered off
2. Close the handle and then insert the laptop into the front hooks as shown. (Figure 1)
3. Lower rear of laptop onto the docking station and then press the rear of the laptop into the docking station until latched. The release handle will move outward and “DOCKED” will be viewable. (Figure 2)
4. (Optional) Turn the lock 90 degrees to the lock position (CW) to secure the laptop in docking station. (Figure 3)



Figure 1



Figure 2



Figure 3

## Operation: Un-Docking

1. Ensure the computer is powered off
2. Unlock the docking station if previously locked. Turn lock 90 degrees to the unlocked position (CCW).
3. Close the handle and then push inward on the latch release handle until the rear hooks disengage from the laptop. (Figure 4)
4. Lift the rear of the laptop up from the docking station and then out from the front hooks. (Figure 5)



Figure 4



Figure 5

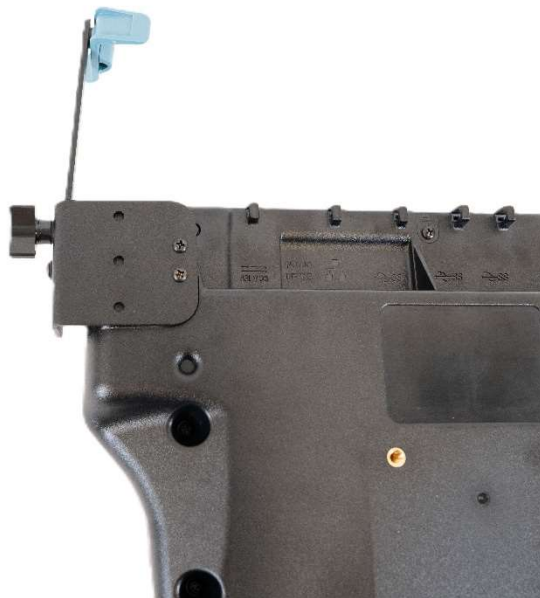
A screen support is recommended on all laptop docking stations/cradles in high-vibration environments.

An optional screen support can be purchased from [www.GamberJohnson.com](http://www.GamberJohnson.com)

Attach the screen support using the hardware provided with it.



QTY	P/N	DESCRIPTION
1	7110-1023	Screen Support – Dual Side



## Recommended Supplies:

Compressed Air(Canned or Low-Pressure Compressor)

Electronics Cleaner

ESD Swabs

Anti-static Soft Bristle Brush

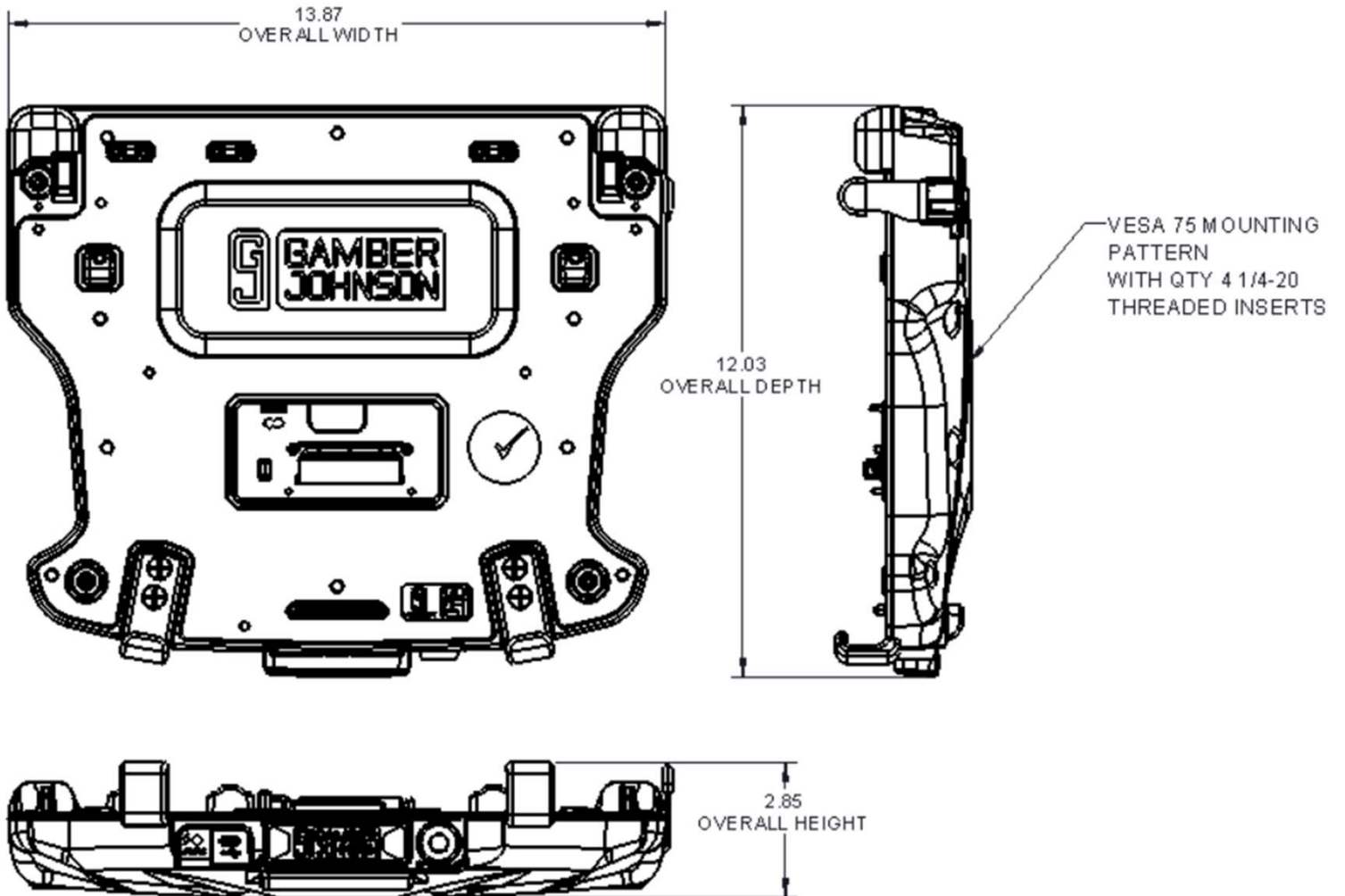
70% Isopropyl Alcohol Solution

Soft Cleaning Cloth

1. In order to prevent electronic shorts, always disconnect power and devices from the docking station before cleaning.
2. Use compressed air to blow any excess dust from connector area. Use an anti-static brush to gently brush away dirt from connector area.
3. If the docking station has caked on dirt/dust, use Electronics Cleaner and an ESD Swab to gently clean connector. **Always disconnect power and devices from dock when using electronics cleaner to prevent shorts.**
4. The body of the docking station may be cleaned with a soft cleaning cloth dampened slightly with Isopropyl Alcohol solution. Use caution to not contact the electrical connector or any other electronic connections. Do not use other chemicals or abrasives.
5. Let the docking station dry completely before reconnecting power and devices.

## WEIGHT

4.7 lbs



## REGULATORY MODEL #: 7160-2075

### GAMBER JOHNSON MODEL #'s & DESCRIPTION:

- 7160-2075-00 DOCK – PANASONIC – TB55/TB56 - NO RF, NON-POWERED SERIAL PORT
- 7160-2075-02 DOCK – PANASONIC - TB55/TB56 - DUAL RF, NON-POWERED SERIAL PORT
- 7160-2075-10 DOCK – PANASONIC - TB55/ TB56 - LITE, NO RF
- 7160-2075-12 DOCK – PANASONIC - TB55/ TB56 - LITE, DUAL RF
- 7160-2075-20 DOCK – PANASONIC - TB55/ TB56 - NO RF, POWERED SERIAL PORT
- 7160-2075-22 DOCK – PANASONIC - TB55/ TB56 - DUAL RF, POWERED SERIAL PORT

### CERTIFICATIONS

- EN 50498:2010
- EN 55032:2015/A11:2020
- VCCI-CISPR:2016
- AS/NZS CISPR 32:2015
- FCC 47 CFR Part 15 Subpart B
- ICES-003 Issue 7:2020 (Class B)
- IEC 62368-1:2023
- UL 62368-1:2025
- CSA C22.2 NO. 62368-1:2025
- EN IEC 62368-1:2024/A11:2024



This device complies with Part 15 of the FCC Rules. Operation is subject to the following two conditions. (1) this device may not cause harmful interference, and (2) this device must accept any interference received, including interference that may cause undesired operation.



**SCAN HERE TO VIEW WARRANTY INFORMATION**

[www.gamberjohnson.com/product-services/warranty-information](http://www.gamberjohnson.com/product-services/warranty-information)

#### **Product Mounting Disclaimer**

Gamber-Johnson is not liable under any theory of contract or tort law for any loss, damage, personal injury, special, incidental or consequential damages for personal injury or other damage of any nature arising directly or indirectly as a result of the improper installation or use of its products in vehicle or any other application. In order to safely install and use Gamber-Johnson products full consideration of vehicle occupants, vehicle systems (i.e., the location of fuel lines, brake lines, electrical, drive train or other systems), air-bags and other safety equipment is required. Gamber-Johnson specifically disclaims any responsibility for the improper use or installation of its products not consistent with original vehicle manufactures specifications and recommendations, Gamber-Johnson product instruction sheets, or workmanship standards as endorsed through the Gamber-Johnson Certified Installer Program.

© Copyright 2026 Gamber-Johnson, LLC

## **QUESTIONS OR NEED MORE INFORMATION?**

### **NO PROBLEM, WE'RE HERE TO HELP!**

Call us at: **+1 800.756.9198**

Email us at: [sales@gamberjohnson.com](mailto:sales@gamberjohnson.com)

Visit [www.gamberjohnson.com](http://www.gamberjohnson.com) to see our complete line of solutions and hang with us on social media at [@gamberjohnson](https://www.instagram.com/gamberjohnson)

**EU Authorised Representative:**

PWA Electronic Service GMBH  
Liebigstraße 12  
63500 Seligenstadt  
Hessen, Germany  
Telephone: +49 6182 7877-0



## EN: Safety instructions for proper use

### Precautions for Operating the Car Mounter

- If a Malfunction Occurs, Immediately Unplug the Car Plug and Remove the Computer From this product
- Use Only the Specified Car Adaptor With This Product
- Avoid a Lot of Water, Moisture, Steam, Dust, Oily Vapors, etc
- Portions of your car mounter may differ somewhat from the illustrations in the operating instructions, but this should present no problems in actual use

**For business users in the European Union.** If you wish to discard electrical and electronic equipment, please contact your dealer or supplier for further information.

### Precautions for Installing the Car Mounter

- Do Not Install This Product in Unstable State
- Do Not Install This Product Wherever There is a Lot of Water, Moisture, Steam, Dust, Oily Vapors, etc

## DE: Sicherheitshinweise bei einer ordnungsgemäßen Nutzung

### Vorsichtsmaßnahmen beim Einsatz der Fahrzeughalterung

- Entfernen Sie beim Auftreten einer Fehlfunktion unverzüglich das Fahrzeugnetzteil und trennen Sie die Verbindung zwischen Computer und dem Produkt
- Verwenden Sie nur das angegebene Fahrzeugnetzteil für das Produkt
- Wasser, Feuchtigkeit, Dampf, Staub, ölige Dämpfe usw. vermeiden
- Einige Bereiche Ihrer Automontagevorrichtung können von den Abbildungen in der Bedienungsanleitung geringfügig abweichen, was für die tatsächliche Nutzung jedoch unerheblich ist.

**Für Kunden in der Europäischen Union.** Bitte treten Sie mit Ihrem Händler oder Lieferanten in Kontakt, wenn Sie elektrische und elektronische Geräte entsorgen möchten. Er hält weitere Informationen für Sie bereit.

### Vorsichtshinweise zum Einbau der Automontagevorrichtung

- Installieren Sie das Produkt nicht in instabilem Zustand
- Installieren Sie das Produkt nicht in der Umgebung von Wasser, Feuchtigkeit, Dampf, Staub, öligen Dämpfen usw.

## FR: Consignes de sécurité pour une utilisation correcte

### Précautions d'utilisation de auto monter

- En cas de dysfonctionnement, débrancher immédiatement la fiche et déconnecter l'ordinateur de ce produit.
- Ne connectez pas au port pour réseau local un câble téléphonique ou un câble réseau autre que ceux spécifiés.
- Eviter le contact de l'eau, de l'humidité, de la vapeur, de la poussière, des vapeurs graisseuses, etc.
- Certaines parties de votre auto monter peuvent différer quelque peu des illustrations imprimées dans les instructions d'utilisation mais cela ne doit présenter aucun problème lors de l'utilisation.

**Utilisateurs professionnels de l'Union européenne.** Pour en savoir plus sur l'élimination des appareils électriques et électroniques, contactez votre revendeur ou fournisseur.

### Précautions à prendre pour l'installation de l'Auto monter

- Ne pas installer ce produit sur un support instable
- Ne pas installer ce produit en présence d'eau, d'humidité, de vapeur, de poussière, de vapeurs graisseuses, etc.