



PRODUCT GUIDE

PANASONIC TB55/TB56 LAPTOP DOCKING CRADLE

PRODUCT NUMBER(S)

7160-2076 SERIES



For more language options and/or questions, please contact a Gamber-Johnson representative at **+1 800.756.9198**

Since 1954, we have been dedicated to providing **RUGGED**, **RELIABLE**, and **RESPONSIVE** solutions that empower professionals in the field.

Thank you for choosing Gamber-Johnson.

Welcome to your new **Gamber-Johnson Docking Cradle**—engineered for **mission-critical reliability** in the toughest environments. At Gamber-Johnson, we understand that your technology is more than a tool; it's a lifeline. That's why our rugged mounting solutions and docking stations are designed to integrate seamlessly with your equipment, ensuring **secure connections** and **reliable performance** wherever your job takes you.

This guide will walk you through the safe and effective installation of your docking **cradle**.

Inside, you'll find:

- Inventory list of what's included
- Step-by-step installation instructions
- Images for easy reference
- Essential safety information to ensure proper setup and operation

Our commitment to **quality**, **durability**, and **rugged reliability** is built into every product we make.

Important: Before you begin, please carefully review all safety instructions provided in this guide. For vehicle applications, we recommend professional installation by qualified technicians with experience in automotive electrical systems and aftermarket vehicle equipment installation.

For additional product information, installation tips, or support, please contact your Gamber-Johnson representative at **+1 800.756.9198** or visit **www.gamberjohnson.com**.

PAGE	SECTION
1	Cover Page
2	Introduction
3	Table Of Contents
4	Components Included
5	Notes
6	Feature Identification
7	Safety Information
8	Installation
9	Docking & Undocking
10	Warranty
11	E.U. Safety Info



QTY	P/N	DESCRIPTION
1	7160-2076-XX	Panasonic TB55/TB56 Docking Cradle



QTY	P/N	DESCRIPTION
1	N/A	Keys



QTY	P/N	DESCRIPTION
1	7120-0413	Hardware Bag - 1/4-20 x .5 HHCS w/ Split Lock Washer

This Product Guide is for the **Panasonic TB55/TB56 Laptop Docking Cradle**.

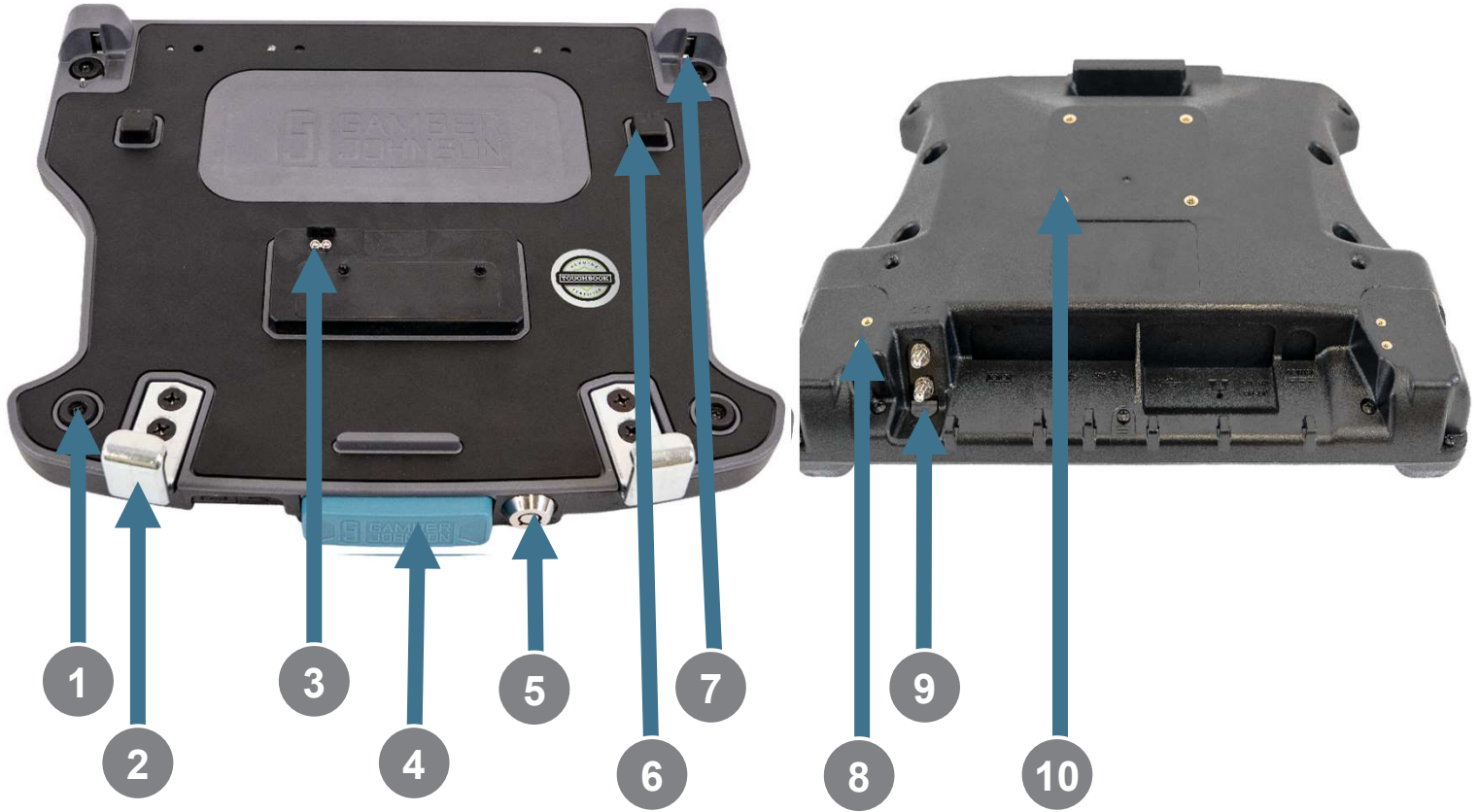
Before you begin installation, please review all safety instructions to ensure proper setup. For instructions on computer features, setup, and operation, refer to your device’s manual.

This docking cradle is designed to work seamlessly with Gamber-Johnson’s extensive line of rugged mounting systems. Visit www.gamberjohnson.com/products to explore our full range of solutions and accessories. Installation instructions for additional Gamber-Johnson products are included with each individual product.

Important: Before installation, ensure you have the recommended power adapters to power the laptop. These can be ordered separately from Gamber-Johnson. Please refer to the list of compatible power supplies included below.

PRODUCT SELECTION	
MODEL NUMBER	DESCRIPTION
7300-0461	Lind Power Supply – Auto, 12-32 Vdc Input, 15 Vdc 120-Watt Output, Bare Wire
7300-0747	Lind Power Supply – Auto, 12-32 Vdc Input, 15 Vdc 120-Watt Output, Cig Adapter

For additional product information, installation tips, or support, please contact your Gamber-Johnson representative at **+1 800.756.9198**.



	DESCRIPTION
1	Bumpers
2	Front Hooks
3	Laptop Interface Pass-Thru Antenna (Left – CH1, Right – CH2) *As Shown Above (-02 SKU only)
4	Release Handle
5	Barrel Lock
6	Latching Actuators
7	Rear Hooks
8	Screen Support Mounting
9	SMA RF Connections (Antenna Identification: Ch1 – Bottom, Ch2 – Top) *As Shown Above (-02 SKU only)
10	Vesa 75 Mounting

Safety is dependent on the proper installation and servicing of this docking cradle. It is important to read and follow all instructions before installing this product.

To properly install a Gamber-Johnson Docking Cradle you must have a good understanding of automotive electrical procedures and systems, along with proficiency in the installation and service of aftermarket vehicle equipment.

There are no adjustments required at any time of the components within the docking cradle. **Opening the docking cradle will void the product warranty.**

During Installation:

- Do not use this docking cradle until:
 - Mounting of all components is complete

After Installation:

- Test the docking cradle to ensure that it is working properly.

General Safety Notes:

- Do not install equipment or route wires or cords in the deployment path of any air bag.
- When drilling into the vehicle, DO make sure that both sides of the surface are clear of anything that could be damaged.

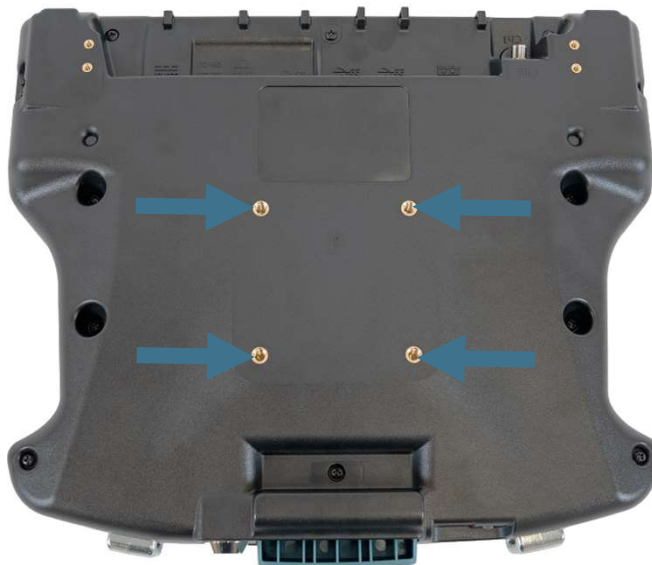
CAUTION

If wiring is shorted to the frame, high current conductors can cause hazardous sparks resulting in electrical fires or flying molten metal.

WARNING

Failure to follow all safety precautions and instructions may result in property damage, serious injury, or death.

File these instructions in a safe place and refer to them when performing maintenance or reinstalling.



1. A mount with a VESA 75 pattern is required to mount the docking cradle using the ¼"-20 inserts on the bottom of the docking cradle.
2. Attach the docking cradle to the selected mount using the ¼"-20" hardware from the 7120-0413 Hardware Bag.

Operation: Docking

1. Insert the laptop into the front hooks as shown. (Figure 1)
2. Lower rear of laptop onto the docking cradle and then press the rear of the laptop into the docking cradle until latched. The release handle will move outward and “DOCKED” will be viewable. (Figure 2)
3. (Optional) Turn the lock 90 degrees to the lock position (CW) to secure the laptop in docking cradle. (Figure 3)



Figure 1



Figure 2



Figure 3

Operation: Un-Docking

1. Unlock the docking cradle if previously locked. Turn lock 90 degrees to the unlocked position (CCW).
2. Push inward on the latch release handle until the rear hooks disengage from the laptop. (Figure 4)
3. Lift the rear of the laptop up from the docking cradle and then out from the front hooks. (Figure 5)



Figure 4



Figure 5

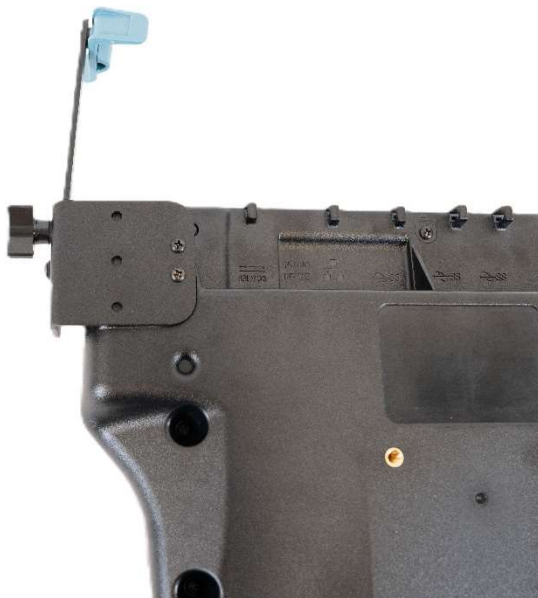
A screen support is recommended on all laptop docking stations/cradles in high-vibration environments.

An optional screen support can be purchased from www.GamberJohnson.com

Attach the screen support using the hardware provided with it.

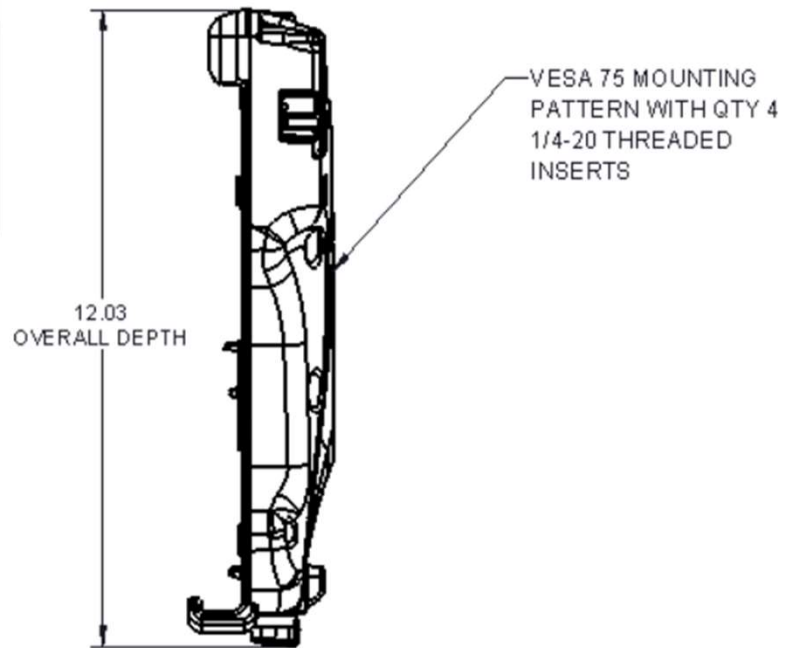
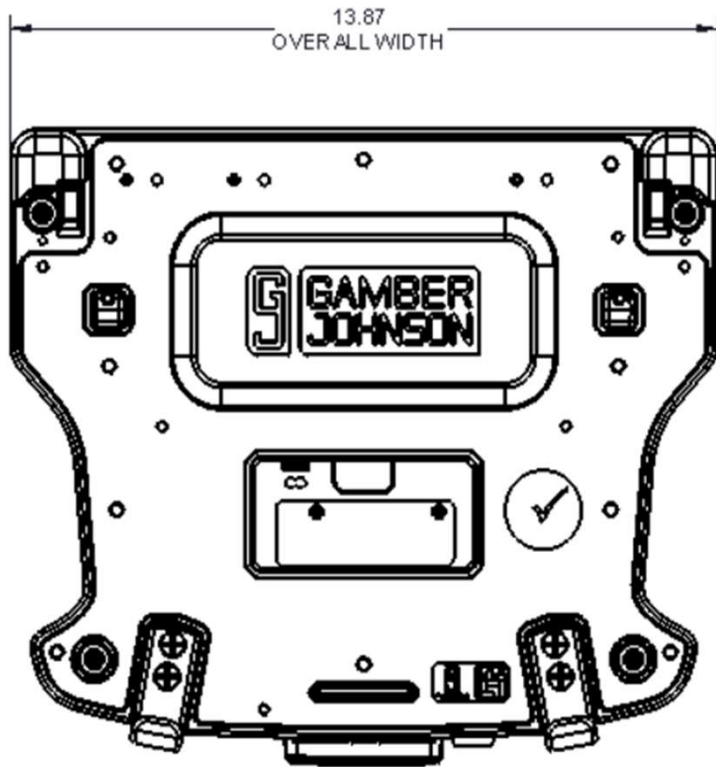


QTY	P/N	DESCRIPTION
1	7110-1023	Screen Support – Dual Side



WEIGHT

4.7 lbs





SCAN HERE TO VIEW WARRANTY INFORMATION

www.gamberjohnson.com/product-services/warranty-information

Product Mounting Disclaimer

Gamber-Johnson is not liable under any theory of contract or tort law for any loss, damage, personal injury, special, incidental or consequential damages for personal injury or other damage of any nature arising directly or indirectly as a result of the improper installation or use of its products in vehicle or any other application. In order to safely install and use Gamber-Johnson products full consideration of vehicle occupants, vehicle systems (i.e., the location of fuel lines, brake lines, electrical, drive train or other systems), air-bags and other safety equipment is required. Gamber-Johnson specifically disclaims any responsibility for the improper use or installation of its products not consistent with original vehicle manufactures specifications and recommendations, Gamber-Johnson product instruction sheets, or workmanship standards as endorsed through the Gamber-Johnson Certified Installer Program.

© Copyright 2026 Gamber-Johnson, LLC

QUESTIONS OR NEED MORE INFORMATION?

NO PROBLEM, WE'RE HERE TO HELP!

Call us at: **+1 800.756.9198**

Email us at: sales@gamberjohnson.com

Visit www.gamberjohnson.com to see our complete line of solutions and hang with us on social media at [@gamberjohnson](https://www.instagram.com/gamberjohnson)

EU Authorised Representative:

PWA Electronic Service GMBH
Liebigstraße 12
63500 Seligenstadt
Hessen, Germany
Telephone: +49 6182 7877-0



EN: Safety instructions for proper use

Precautions for Operating the Car Mounter

- If a Malfunction Occurs, Immediately Unplug the Car Plug and Remove the Computer From this product
- Use Only the Specified Car Adaptor With This Product
- Avoid a Lot of Water, Moisture, Steam, Dust, Oily Vapors, etc
- Portions of your car mounter may differ somewhat from the illustrations in the operating instructions, but this should present no problems in actual use

For business users in the European Union. If you wish to discard electrical and electronic equipment, please contact your dealer or supplier for further information.

Precautions for Installing the Car Mounter

- Do Not Install This Product in Unstable State
- Do Not Install This Product Wherever There is a Lot of Water, Moisture, Steam, Dust, Oily Vapors, etc

DE: Sicherheitshinweise bei einer ordnungsgemäßen Nutzung

Vorsichtsmaßnahmen beim Einsatz der Fahrzeughalterung

- Entfernen Sie beim Auftreten einer Fehlfunktion unverzüglich das Fahrzeugnetzteil und trennen Sie die Verbindung zwischen Computer und dem Produkt
- Verwenden Sie nur das angegebene Fahrzeugnetzteil für das Produkt
- Wasser, Feuchtigkeit, Dampf, Staub, ölige Dämpfe usw. vermeiden
- Einige Bereiche Ihrer Automontagevorrichtung können von den Abbildungen in der Bedienungsanleitung geringfügig abweichen, was für die tatsächliche Nutzung jedoch unerheblich ist.

Für Kunden in der Europäischen Union. Bitte treten Sie mit Ihrem Händler oder Lieferanten in Kontakt, wenn Sie elektrische und elektronische Geräte entsorgen möchten. Er hält weitere Informationen für Sie bereit.

Vorsichtshinweise zum Einbau der Automontagevorrichtung

- Installieren Sie das Produkt nicht in instabilem Zustand
- Installieren Sie das Produkt nicht in der Umgebung von Wasser, Feuchtigkeit, Dampf, Staub, öligen Dämpfen usw.

FR: Consignes de sécurité pour une utilisation correcte

Précautions d'utilisation de auto monter

- En cas de dysfonctionnement, débrancher immédiatement la fiche et déconnecter l'ordinateur de ce produit.
- Ne connectez pas au port pour réseau local un câble téléphonique ou un câble réseau autre que ceux spécifiés.
- Eviter le contact de l'eau, de l'humidité, de la vapeur, de la poussière, des vapeurs graisseuses, etc.
- Certaines parties de votre auto monter peuvent différer quelque peu des illustrations imprimées dans les instructions d'utilisation mais cela ne doit présenter aucun problème lors de l'utilisation.

Utilisateurs professionnels de l'Union européenne. Pour en savoir plus sur l'élimination des appareils électriques et électroniques, contactez votre revendeur ou fournisseur.

Précautions à prendre pour l'installation de l'Auto monter

- Ne pas installer ce produit sur un support instable
- Ne pas installer ce produit en présence d'eau, d'humidité, de vapeur, de poussière, de vapeurs graisseuses, etc.