



INSTALLATION INSTRUCTIONS

<u>Product</u>	<u>Revision</u>	<u>Form</u>
7160-0790	Rev. E	INST-724
GETAC S410 DOCKING STATION		Printing Spec: PS-001

This instruction sheet is for the Getac S410 docking station only. For instructions on features, set-up, and operation of the S410 computer, please refer to the manual provided by Getac with the computer.

This docking station is designed to be used with a variety of Gamber-Johnson mounting systems. Installation instructions for other Gamber-Johnson products are provided with each individual product.

This instruction sheet is for the following products:

- Item No. 7160-0790-00** No RF (External Power Supply & its bracket sold separately)
- Item No. 7160-0790-03** Tri RF (External Power Supply & its bracket sold separately)

Getac recommends using the following Power Adapters to power the docking station. They can be ordered from Gamber-Johnson seperately.

- 7300-0471** - Auto (12-32 Vdc input) - Available with the docking station as **KIT 7170-0536 (Non-RF) or 7170-0537 (Tri-RF)**
- 7300-0413** - Isolated (12-32 Vdc input)
- 7300-0412** - Isolated (20-60 Vdc input)
- 7300-0416** - Isolated (72-110 Vdc input)



Product Mounting Disclaimer

Gamber-Johnson is not liable under any theory of contract or tort law for any loss, damage, personal injury, special, incidental or consequential damages for personal injury or other damage of any nature arising directly or indirectly as a result of the improper installation or use of its products in vehicle or any other application. In order to safely install and use Gamber-Johnson products full consideration of vehicle occupants, vehicle systems (i.e., the location of fuel lines, brakes lines, electrical, drive train or other systems), air-bags and other safety equipment is required. Gamber-Johnson specifically disclaims any responsibility for the improper use or installation of its products not consistent with the original vehicle manufactures specifications and recommendations, Gamber-Johnson product instruction sheets, or workmanship standards as endorsed through the Gamber-Johnson Certified Installer Program.

© Copyright 2015 Gamber-Johnson, LLC

If you need assistance or have questions, call Gamber-Johnson at 1-800-456-6868

PRE-INSTALLATION RECOMMENDATIONS

Conduct a "Bench Test"

Gamber-Johnson strongly advises a "bench test" be conducted to verify all electronic and software issues are resolved prior to installation:

1. Make sure the computer is operational by itself.
2. Insert computer into the docking station and verify that the computer is operating in the dock.
3. Interconnect entire assembly and verify start-up of all components, including other equipment (printers, modems, scanners, etc.)

Gamber-Johnson recommends positioning of all mounts and equipment in the vehicle prior to the actual install to verify that mounting locations are safe and practical.

IMPORTANT SAFETY INFORMATION FOR INSTALLERS

Safety is dependent on the proper installation and servicing of this docking station. It is important to read and follow all instructions before installing this product.

To properly install a Gamber-Johnson docking station you must have a good understanding of automotive electrical procedures and systems, along with proficiency in the installation and service of aftermarket vehicle equipment.

There are no adjustments required at any time of the electrical components within the docking station. **Opening the docking station will void the product warranty.**

During Installation:

DO NOT connect this docking station to the vehicle battery until:

1. All other electrical connections are made
2. Mounting of all components is complete
3. Verification that no shorts exist in the entire system

DO NOT install equipment or route wiring or cords in the deployment path of any air bag.

When drilling into the vehicle, **DO** make sure that both sides of the surface are clear of anything that could be damaged.

CAUTION: *If wiring is shorted to the frame, high current conductors can cause hazardous sparks resulting in electrical fires or flying molten metal.*

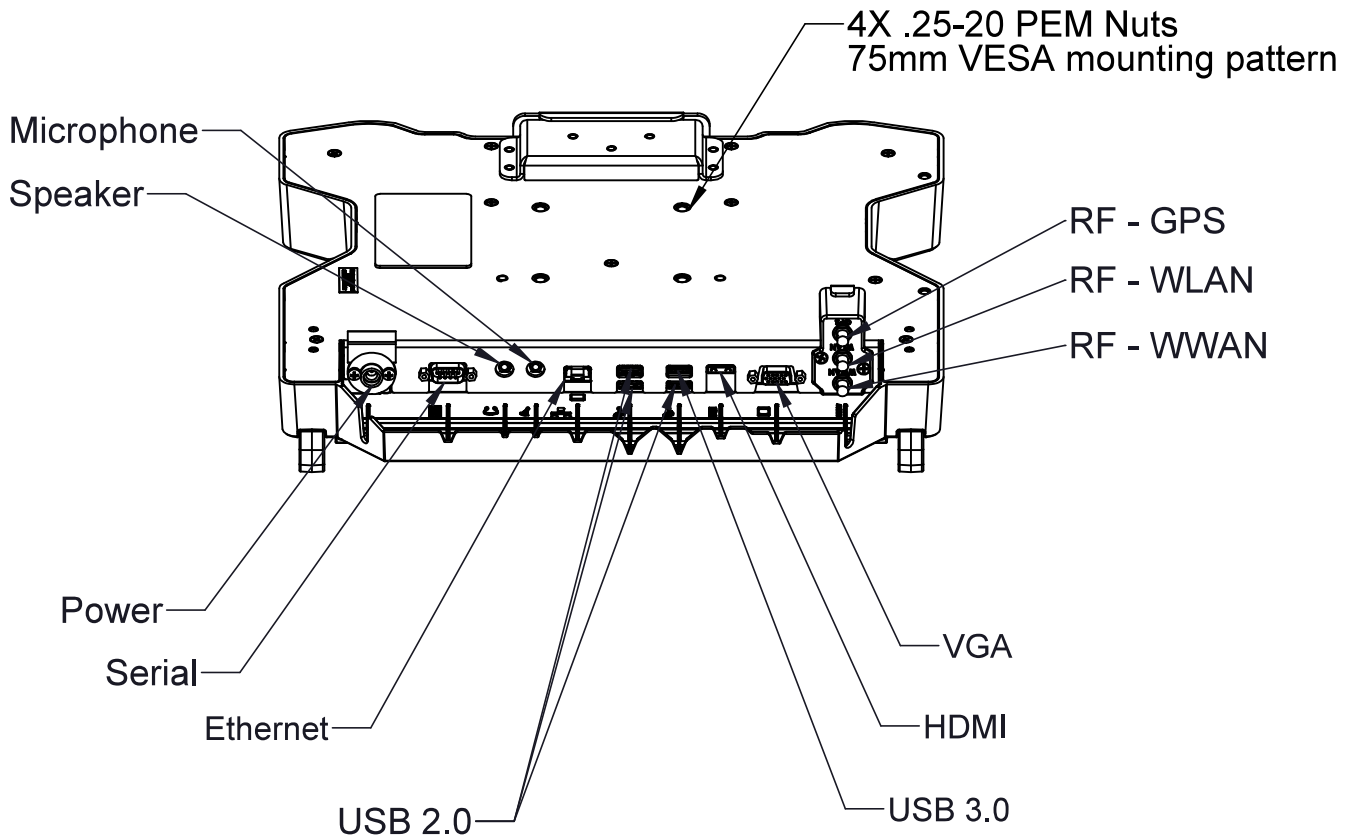
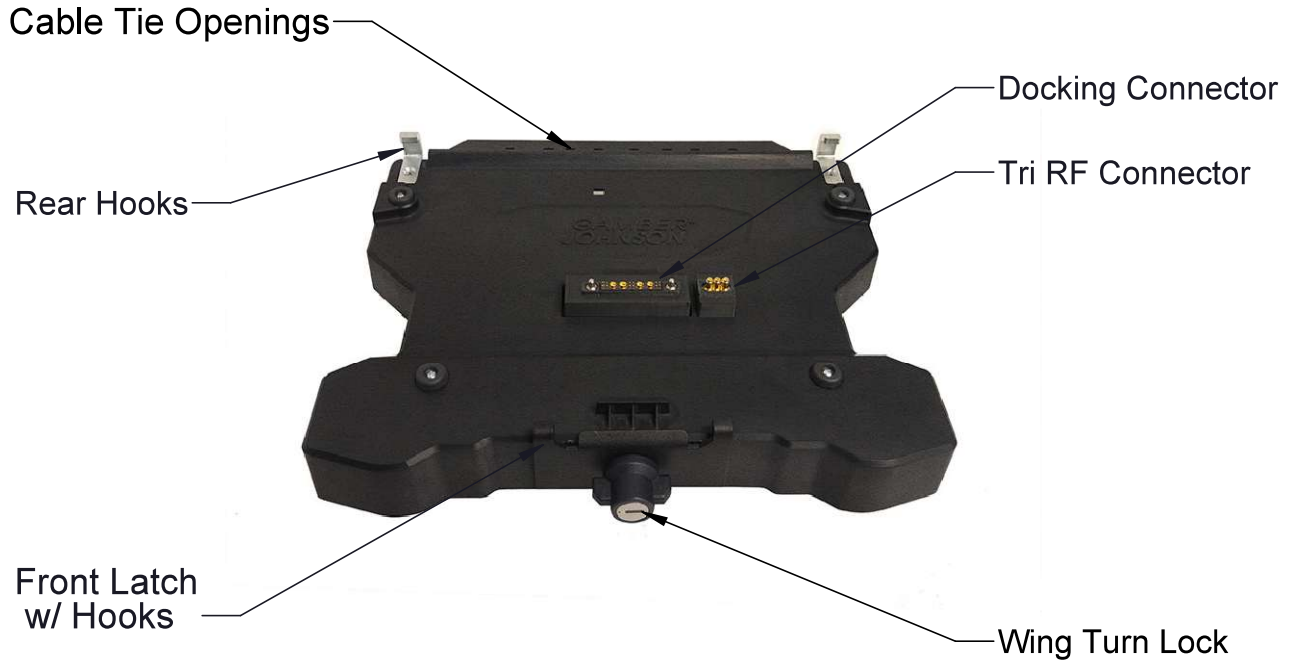
After installation:

Test the docking station to ensure that it is working properly.

File these instructions in a safe place and refer to them when performing maintenance or re-installing.

WARNING: *Failure to follow all safety precautions and instructions may result in property damage, serious injury, or death.*

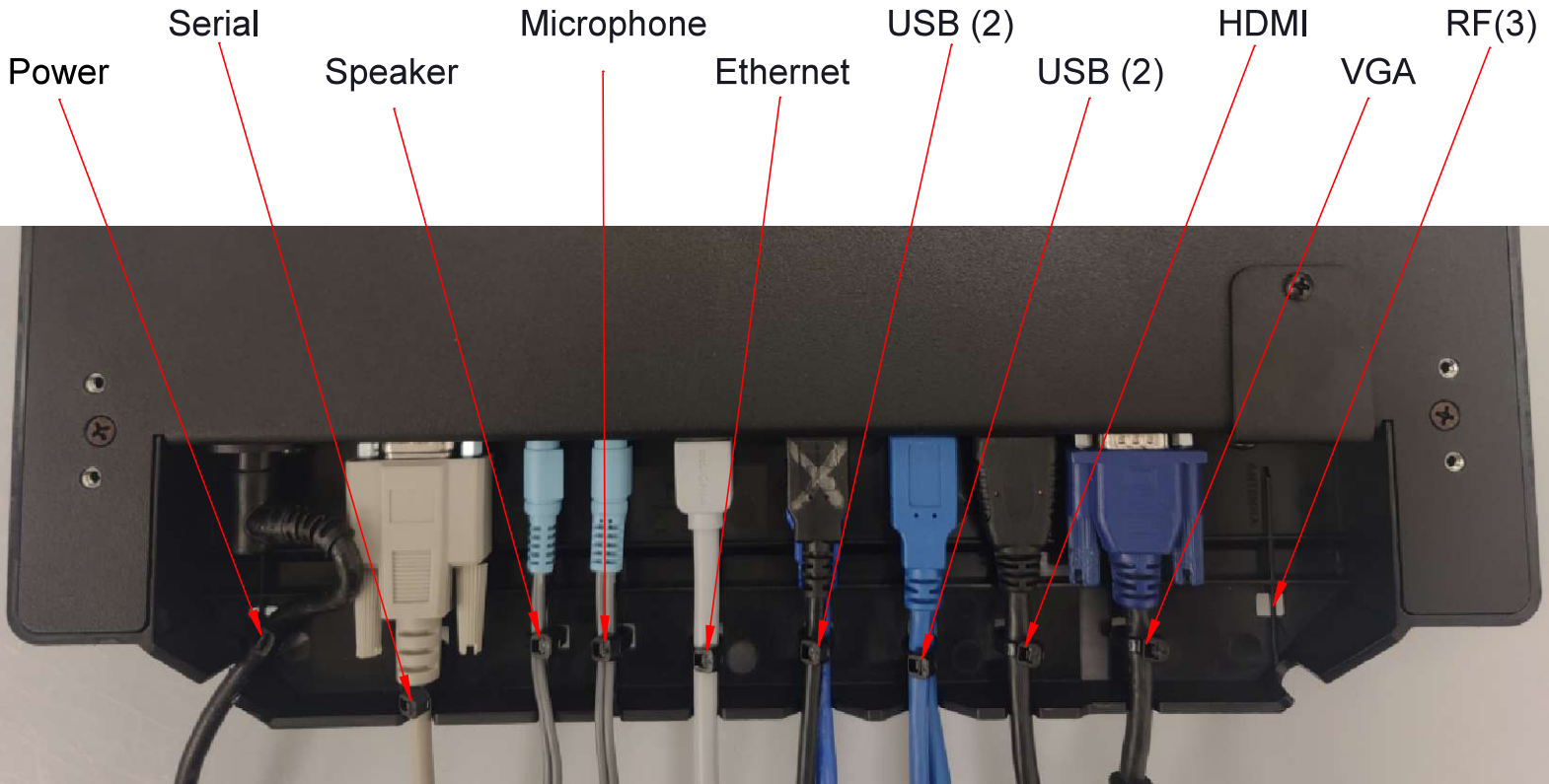
S410 DOCKING STATION FEATURE IDENTIFICATION



CABLE MANAGEMENT FEATURES AND PROPER INSTALLATION

1.) Use Zip ties (provided) to secure each port cable to the specific strain relief feature on the dock

Cable Tie Slots (Port Specific)



CONNECTING VEHICLE POWER TO S410 DOCKING STATION WITH EXTERNAL POWER SUPPLY

(Only use .500" hex bolts that come with the dock. A longer bolt will not work and might damage electronics)

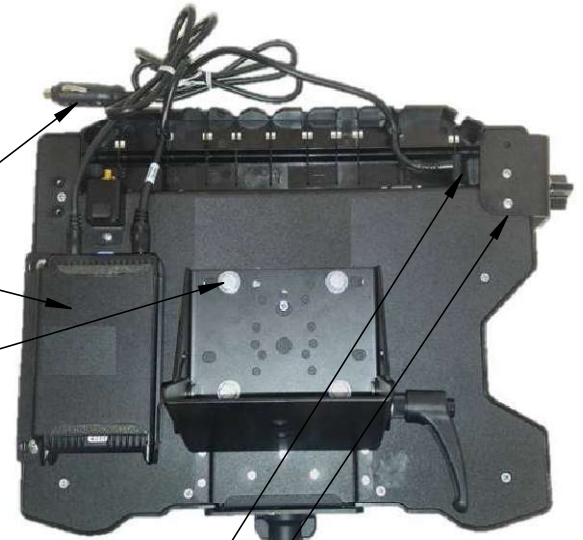
Connect power wire to 12Vdc Vehicle power

Attach Power Supply with mounting bracket (sold separately) using #10-32 screws provided with the bracket

Motion Attachment attached with (4) .25-20 hex head bolts & washers included in hardware bag

Insert power plug into power port, secure cable with cable ties

Attach Screen Support (7110-1206) here or on opposite side



UNIVERSAL ADAPTER

(if using, attach this before attaching the power supply)

Replace washer head bolts with hex head bolts supplied in hardware bag

Attach Universal Adapter to dock with side flange toward power supply as shown

Attach Universal Adapter to dock with (4) .25-20 hex head bolts & washers (included in the Dock Hardware bag)



DOCKING THE COMPUTER

TO DOCK THE COMPUTER

1. Insert the back of the S410 computer such that the rear hooks enter the rear pockets of the laptop
2. Lower the front of the computer down on the dock and docking connector
3. **Lightly press down on the front of the computer to ensure it is fully seated** while closing the latch.
4. With front hooks latched into the computer, turn the lock to "LOCK" position



TO UNDOCK THE COMPUTER

1. Turn the lock to "UNLOCK" position. **Lightly press down on the front of the computer** and pull the latch outward.
2. Lift the front of the computer off the dock and docking connector.
3. Pull the back of the computer out from the rear hooks.



Screen Support Installation

Screen supports are recommended on all laptop dock/cradles in high-vibration environments.

- (1) screen support is included with each Getac S410 assembly, another may be purchased from www.GamberJohnson.com. Part Number: 7110-1206



Use supplied #6-32 screws to attach included screen support to the left or right mounting location, do not over-torque screws.

Reccomended torque is 8-11 in/lbs.

NOTE: Attaching Screen Support to the left side will restrict access to the laptop's stylus



Regulatory Certification Information

Regulatory Model #: 7160-0790

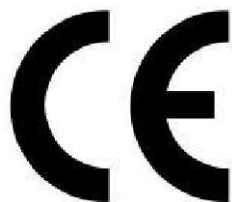
GJ Model #'s & Description:

7160-0790-00	Dock-Getac-S410-No RF
7160-0790-03	Dock-Getac-S410-Tri RF

Certifications:

- EN 55032: 2012/AC: 2013 Class A
- EN 50498:2010
- EN 50581:2012

This device complies with Part 15 of the FCC Rules. Operation is subject to the following two conditions. (1) this device may not cause harmful interference, and (2) this device must accept any interference received, including interference that may cause undesired operation.



Gamber-Johnson LLC, 3001 Borham Ave., Stevens Point, WI, 54481, USA, 715-344-3482