



INSTALLATION INSTRUCTIONS

<u>Product</u>	<u>Revision</u>	<u>Form</u>
7160-0840	Rev. G	INST-748
DELL 12" TABLET DOCKING STATION		Printing Spec: PS-001

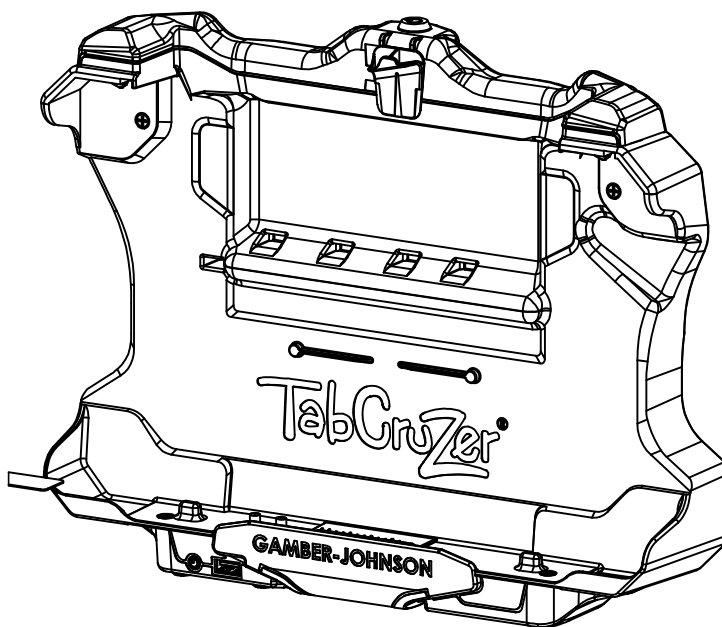
This instruction sheet is for the Dell 12" Tablet docking station only. For instructions on features, set-up, and operation of the computer, please refer to the manual provided by Dell with the computer.

This docking station is designed to be used with a variety of Gamber-Johnson mounting systems. Installation instructions for other Gamber-Johnson products are provided with each individual product.

This instruction sheet is for the following products:

- Item No. 7160-0840-00** No RF (External Power Supply sold separately)
- Item No. 7160-0840-02** Dual RF (External Power Supply sold separately)
- Item No. 7160-0840-40** No RF W/Label Over Ports (External Power Supply sold separately)

Dell recommends using a Lind Auto Adapter to power the docking station. It can be ordered from Gamber-Johnson (Item No. 7300-0469 for vehicles)(Item No. 7300-0470, 7300-0429, 7300-0430 for fork lifts). The vehicle power supply may be included with GJ Kits.



Product Mounting Disclaimer

Gamber-Johnson is not liable under any theory of contract or tort law for any loss, damage, personal injury, special, incidental or consequential damages for personal injury or other damage of any nature arising directly or indirectly as a result of the improper installation or use of its products in vehicle or any other application. In order to safely install and use Gamber-Johnson products full consideration of vehicle occupants, vehicle systems (i.e., the location of fuel lines, brakes lines, electrical, drive train or other systems), air-bags and other safety equipment is required. Gamber-Johnson specifically disclaims any responsibility for the improper use or installation of its products not consistent with the original vehicle manufactures specifications and recommendations, Gamber-Johnson product instruction sheets, or workmanship standards as endorsed through the Gamber-Johnson Certified Installer Program.

PRE-INSTALLATION RECOMMENDATIONS

Conduct a "Bench Test"

Gamber-Johnson strongly advises a "bench test" be conducted to verify all electronic and software issues are resolved prior to installation:

1. Make sure the computer is operational by itself.
2. Insert computer into the docking station and verify that the computer is operating in the dock.
3. Interconnect entire assembly and verify start-up of all components, including other equipment (printers, modems, scanners, etc.)

Gamber-Johnson recommends positioning of all mounts and equipment in the vehicle prior to the actual install to verify that mounting locations are safe and practical.

IMPORTANT SAFETY INFORMATION FOR INSTALLERS

Safety is dependent on the proper installation and servicing of this docking station. It is important to read and follow all instructions before installing this product.

To properly install a Gamber-Johnson docking station you must have a good understanding of automotive electrical procedures and systems, along with proficiency in the installation and service of aftermarket vehicle equipment.

There are no adjustments required at any time of the electrical components within the docking station. **Opening the docking station will void the product warranty.**

During Installation:

DO NOT connect this docking station to the vehicle battery until:

1. All other electrical connections are made
2. Mounting of all components is complete
3. Verification that no shorts exist in the entire system

DO NOT install equipment or route wires or cords in the deployment path of any air bag.

When drilling into the vehicle, **DO** make sure that both sides of the surface are clear of anything that could be damaged.

CAUTION: *If wiring is shorted to the frame, high current conductors can cause hazardous sparks resulting in electrical fires or flying molten metal.*

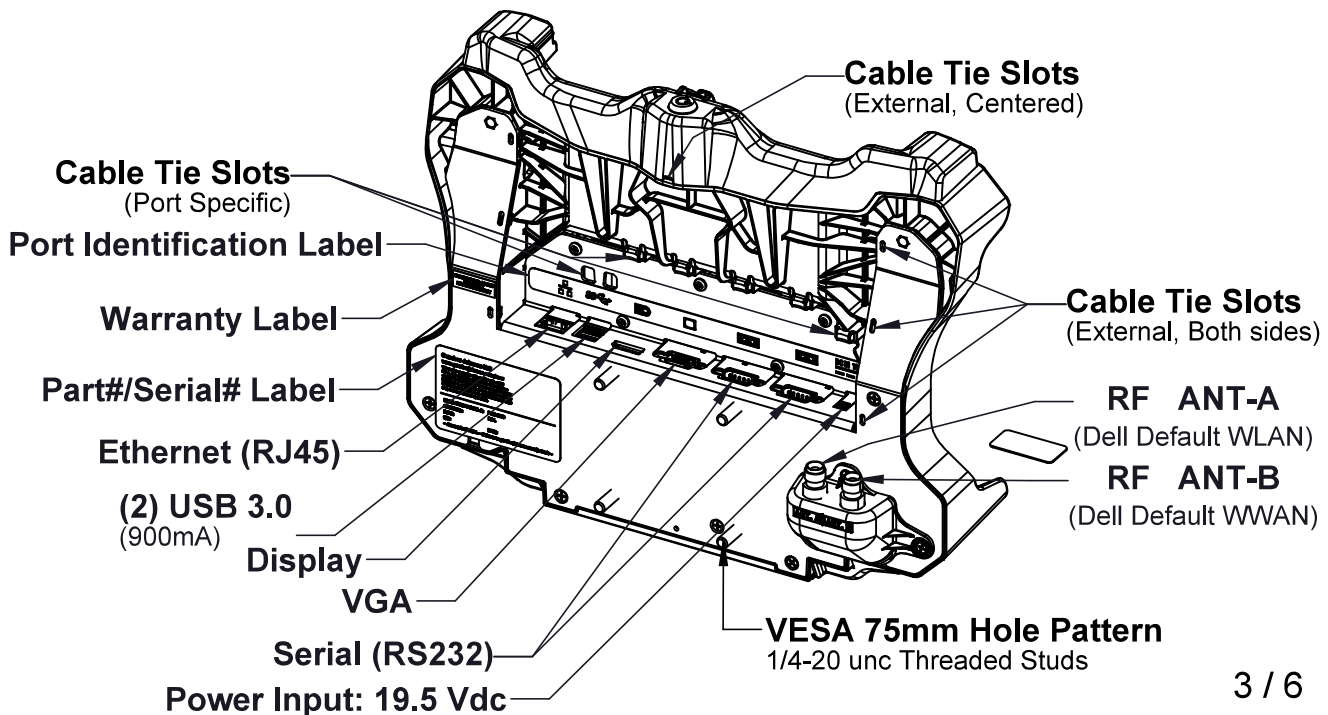
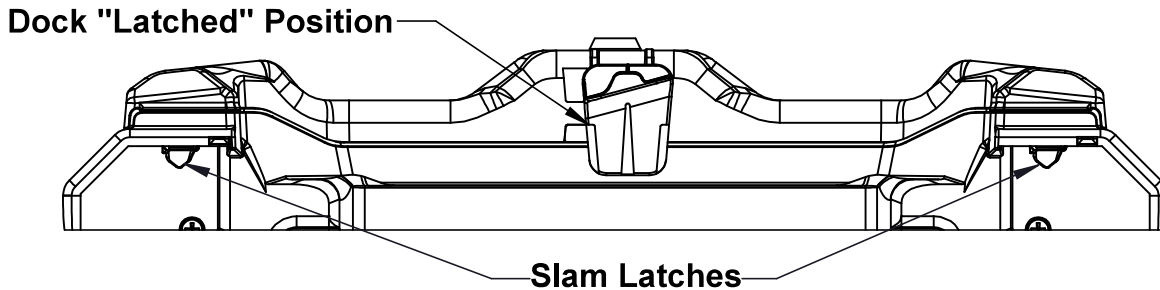
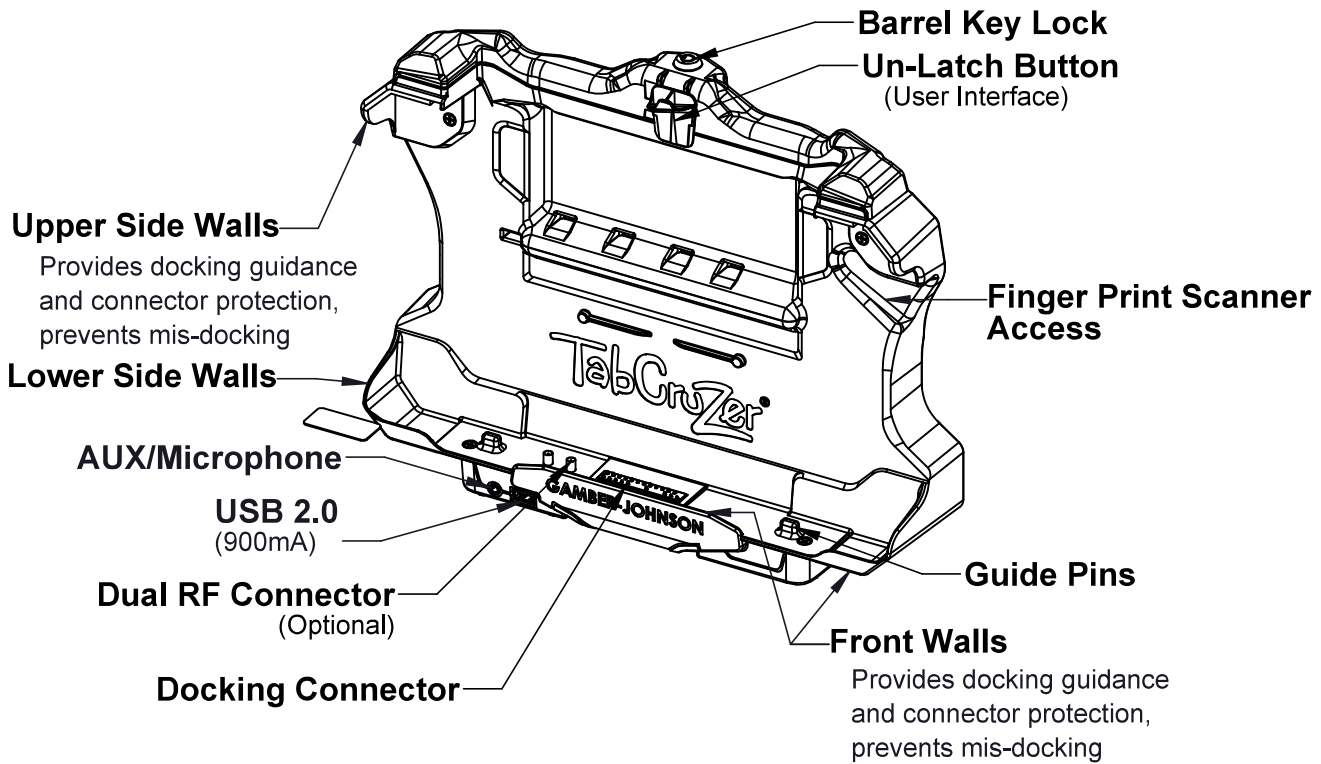
After installation:

Test the docking station to ensure that it is working properly.

File these instructions in a safe place and refer to them when performing maintenance or re-installing.

WARNING: *Failure to follow all safety precautions and instructions may result in property damage, serious injury, or death.*

DELL 12" TABLET DOCK FEATURE IDENTIFICATION



CABLE MANAGEMENT FEATURES AND PROPER INSTALLATION

1.) Use Zip ties (provided) to secure each port cable to the specific strain relief feature on the dock

Cable Tie Slots (Port Specific)

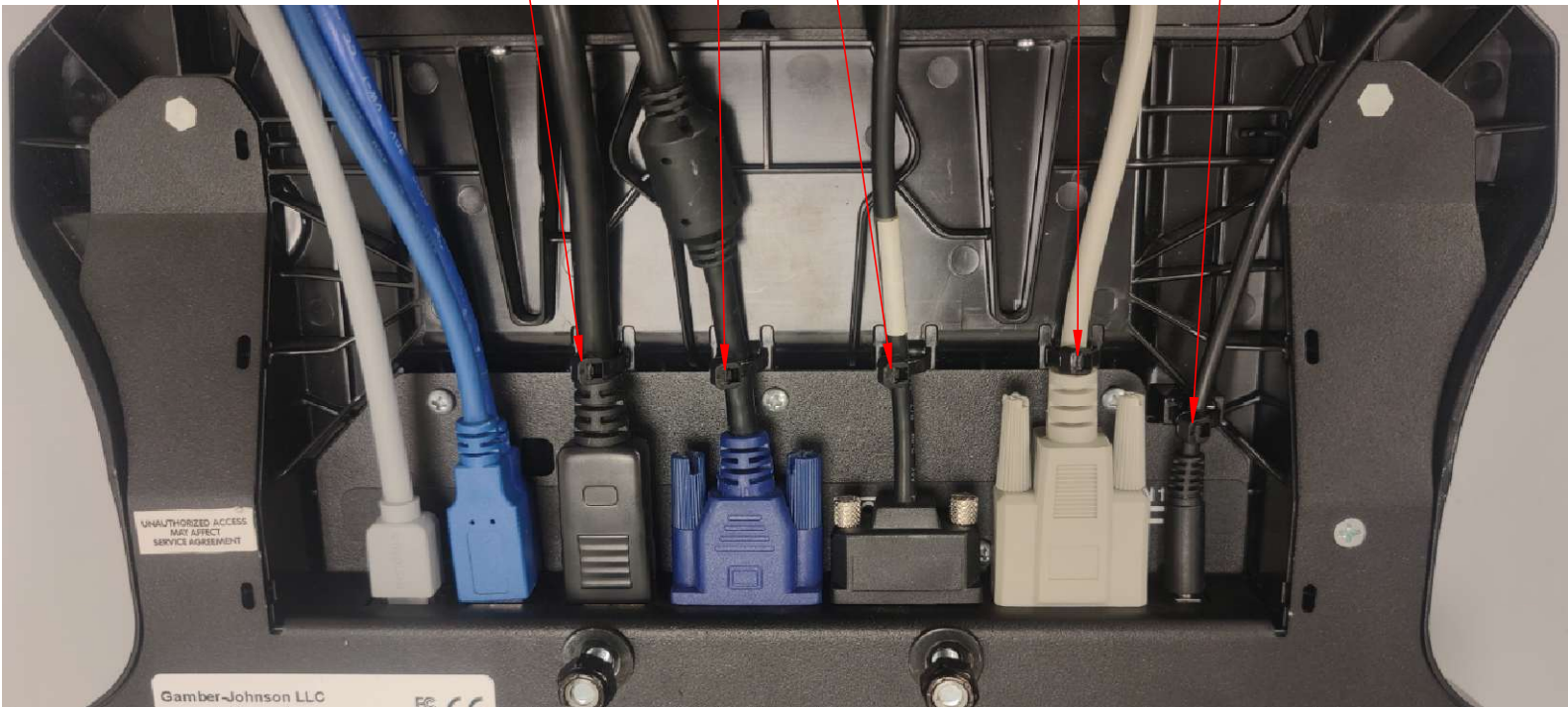
Display

Serial

POWER

VAGA

Serial



DOCKING AND UNDOCKING THE COMPUTER

TO DOCK THE COMPUTER

1. Insert the bottom of the tablet into the bottom cavity of the dock. The walls on the dock will guide the tablet into place as the top of the tablet is angled outside of the dock.
2. Rotate the top of the tablet into the dock, overcoming the resistance until the Latch Button returns to the "Latched" position. The grooves on the button line up with the lower groove on the dock. There will also be an audible confirmation as the latch system springs downward.
3. With the dock in the "Latched" position, turn the lock to the "LOCKED" position (Clockwise).



TO UNDOCK THE COMPUTER

1. Turn the lock to the "UNLOCKED" position (Counter Clockwise).
2. With your hand on the top of the tablet, use the thumb to push up on the blue button until the dock is in the "Un-Latched" position and pull the top of the tablet forward. The grooves on the button now line up with the upper groove on the dock (or higher).
3. After the tablet clears the latching system, remove the tablet by pulling it away from the dock.



Regulatory Certification Information

Regulatory Model #: 7160-0840

GJ Model #'s & Description:

7160-0840-00	Dock-Dell-12" Tablet-No RF
7160-0840-02	Dock-Dell-12" Tablet-Dual RF
7160-0840-40	Dock-Dell-12" Tablet-No RF With Label Over Ports

Certifications:

- EN 55032: 2012/AC: 2013 Class A
- EN 50498:2010
- EN 50581:2012

This device complies with Part 15 of the FCC Rules. Operation is subject to the following two conditions. (1) this device may not cause harmful interference, and (2) this device must accept any interference received, including interference that may cause undesired operation.



Gamber-Johnson LLC, 3001 Borham Ave., Stevens Point, WI, 54481, USA, 715-344-3482