



INSTALLATION INSTRUCTIONS

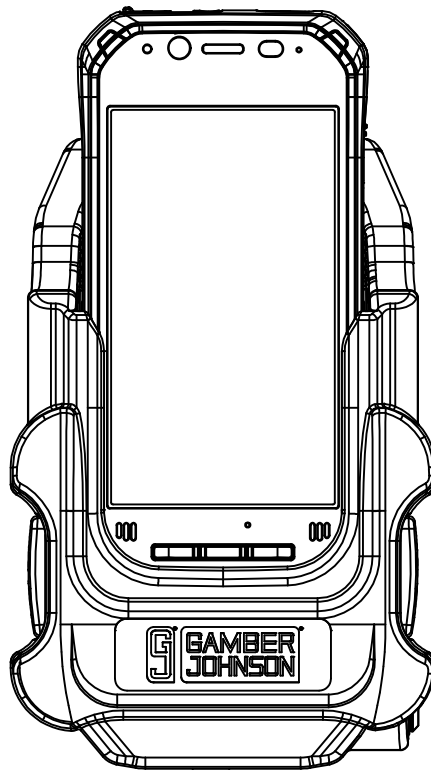
<u>Product</u> 7160-0900 TOUGHBOOK N1 POWERED CRADLE	<u>Revision</u> Rev. E	<u>Form</u> INST-753 Printing Spec: PS-004
--	----------------------------------	---

This instruction sheet is for the TOUGHBOOK N1 powered cradle only. For instructions on features, set-up, and operation of the computer, please refer to the manual provided by Panasonic with the computer.

This docking station is designed to be used with a variety of Gamber-Johnson mounting systems. Installation instructions for other Gamber-Johnson products are provided with each individual product.

This instruction sheet is for the following products:

- Item No. 7160-0900-00(-P)(-E)** No RF (Power Only)
- 7160-0900-01(-E)** No RF (Power Only)-Label Lock
- 7160-0900-04 (-E)** No RF (Power Only) Keyed Different



Product Mounting Disclaimer

Gamber-Johnson is not liable under any theory of contract or tort law for any loss, damage, personal injury, special, incidental or consequential damages for personal injury or other damage of any nature arising directly or indirectly as a result of the improper installation or use of its products in vehicle or any other application. In order to safely install and use Gamber-Johnson products full consideration of vehicle occupants, vehicle systems (i.e., the location of fuel lines, brakes lines, electrical, drive train or other systems), air-bags and other safety equipment is required. Gamber-Johnson specifically disclaims any responsibility for the improper use or installation of its products not consistent with the original vehicle manufactures specifications and recommendations, Gamber-Johnson product instruction sheets, or workmanship standards as endorsed through the Gamber-Johnson Certified Installer Program.

© Copyright 2017 Gamber-Johnson, LLC

If you need assistance or have questions, call Gamber-Johnson at 1-800-456-6868

PRE-INSTALLATION RECOMMENDATIONS

Conduct a "Bench Test"

Gamber-Johnson strongly advises a "bench test" be conducted to verify all electronic and software issues are resolved prior to installation:

1. Make sure the computer is operational by itself.
2. Insert computer into the docking station and verify that the computer is operating in the dock.
3. Interconnect entire assembly and verify start-up of all components, including other equipment (printers, modems, scanners, etc.)

Gamber-Johnson recommends positioning of all mounts and equipment in the vehicle prior to the actual install to verify that mounting locations are safe and practical.

IMPORTANT SAFETY INFORMATION FOR INSTALLERS

Safety is dependent on the proper installation and servicing of this docking station. It is important to read and follow all instructions before installing this product.

To properly install a Gamber-Johnson docking station you must have a good understanding of automotive electrical procedures and systems, along with proficiency in the installation and service of aftermarket vehicle equipment.

There are no adjustments required at any time of the electrical components within the docking station. **Opening the docking station will void the product warranty.**

During Installation:

DO NOT connect this docking station to the vehicle battery until:

1. All other electrical connections are made
2. Mounting of all components is complete
3. Verification that no shorts exist in the entire system

DO NOT install equipment or route wires or cords in the deployment path of any air bag.

When drilling into the vehicle, **DO** make sure that both sides of the surface are clear of anything that could be damaged.

CAUTION: *If wiring is shorted to the frame, high current conductors can cause hazardous sparks resulting in electrical fires or flying molten metal.*

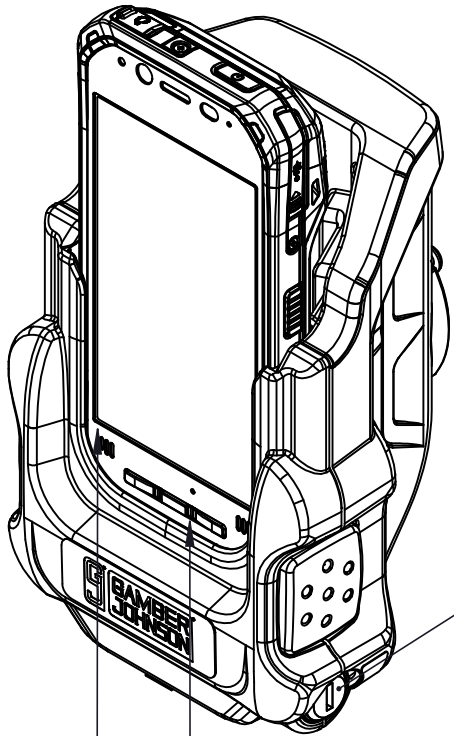
After installation:

Test the docking station to ensure that it is working properly.

File these instructions in a safe place and refer to them when performing maintenance or re-installing.

WARNING: *Failure to follow all safety precautions and instructions may result in property damage, serious injury, or death.*

TOUGHBOOK N1 DOCK FEATURE IDENTIFICATION

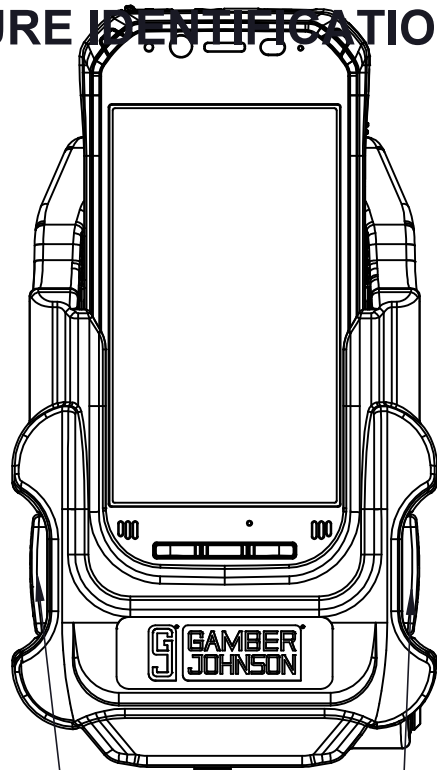


Power Connector
Latches 2X

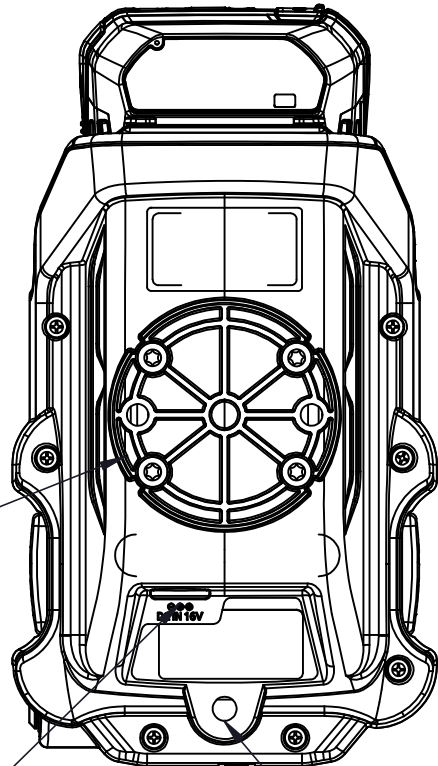
KEY LOCK

AMP Mounting Pattern
38mm x 30mm

DC-IN JACK (DC-IN 16V)



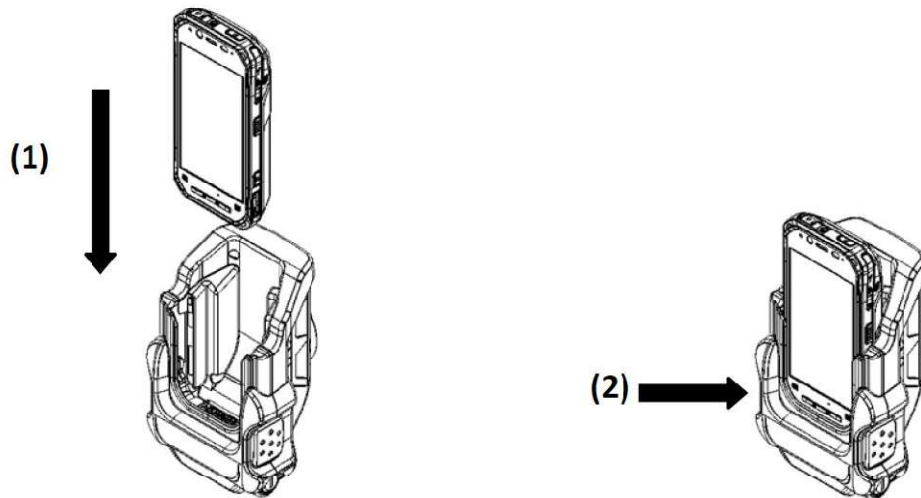
RELEASE BUTTONS



Cable Tie Slots

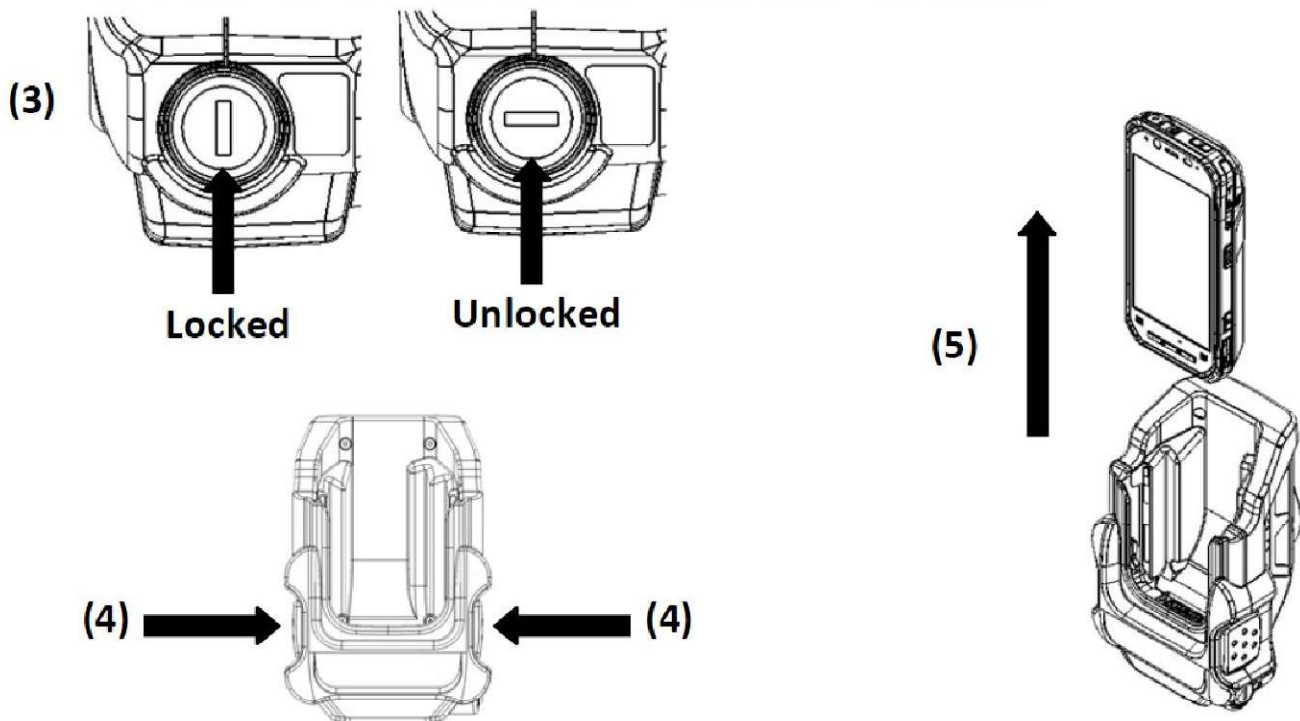
DOCKING AND UNDOCKING THE COMPUTER

How to use



DOCKING PROCEDURE

1. Insert computer into the vehicle mounter as shown.
2. Ensure the bottom of the computer is located in the vehicle mounter.



UNDOCKING PROCEDURE

1. Ensure the lock is in the unlocked position.
2. Push the release button.
3. Remove the computer from the Dock.

Regulatory Certification Information

Regulatory Model #: 7160-0900

GJ Model #'s & Description:

7160-0900-00(-P)(-E) Dock-Panasonic-F1/N1-No RF (Power Only)

Certifications:

- EN 55032: 2012/AC: 2013 Class A
- EN 50498:2010
- EN 50581:2012



**UK
CA**

CE



Gamber-Johnson LLC, 3001 Borham Ave., Stevens Point, WI, 54481, USA, 715-344-3482

EN: Safety instructions for proper use

Precautions for Operating the Car Mounter

- If a Malfunction Occurs, Immediately Unplug the Car Plug and Remove the Computer From this product
- Use Only the Specified Car Adaptor With This Product
- Avoid a Lot of Water, Moisture, Steam, Dust, Oily Vapors, etc
- Portions of your car mounter may differ somewhat from the illustrations in the operating instructions, but this should present no problems in actual use

For business users in the European Union. If you wish to discard electrical and electronic equipment, please contact your dealer or supplier for further information.

Precautions for Installing the Car Mounter

- Do Not Install This Product in Unstable State
- Do Not Install This Product Wherever There is a Lot of Water, Moisture, Steam, Dust, Oily Vapors, etc

DE: Sicherheitshinweise bei einer ordnungsgemäßen Nutzung

Vorsichtsmaßnahmen beim Einsatz der Fahrzeughalterung

- Entfernen Sie beim Auftreten einer Fehlfunktion unverzüglich das Fahrzeugnetzteil und trennen Sie die Verbindung zwischen Computer und dem Produkt
- Verwenden Sie nur das angegebene Fahrzeugnetzteil für das Produkt
- Wasser, Feuchtigkeit, Dampf, Staub, ölige Dämpfe usw. vermeiden
- Einige Bereiche Ihrer Automontagevorrichtung können von den Abbildungen in der Bedienungsanleitung geringfügig abweichen, was für die tatsächliche Nutzung jedoch unerheblich ist.

Für Kunden in der Europäischen Union. Bitte treten Sie mit Ihrem Händler oder Lieferanten in Kontakt, wenn Sie elektrische und elektronische Geräte entsorgen möchten. Er hält weitere Informationen für Sie bereit.

Vorsichtshinweise zum Einbau der Automontagevorrichtung

- Installieren Sie das Produkt nicht in instabilem Zustand
- Installieren Sie das Produkt nicht in der Umgebung von Wasser, Feuchtigkeit, Dampf, Staub, öligen Dämpfen usw.

FR: Consignes de sécurité pour une utilisation correcte

Précautions d'utilisation de auto monter

- En cas de dysfonctionnement, débrancher immédiatement la fiche et déconnecter l'ordinateur de ce produit.
- Ne connectez pas au port pour réseau local un câble téléphonique ou un câble réseau autre que ceux spécifiés.
- Eviter le contact de l'eau, de l'humidité, de la vapeur, de la poussière, des vapeurs graisseuses, etc.
- Certaines parties de votre auto monter peuvent différer quelque peu des illustrations imprimées dans les instructions d'utilisation mais cela ne doit présenter aucun problème lors de l'utilisation.

Utilisateurs professionnels de l'Union européenne. Pour en savoir plus sur l'élimination des appareils électriques et électroniques, contactez votre revendeur ou fournisseur.

Précautions à prendre pour l'installation de l'Auto monter

- Ne pas installer ce produit sur un support instable
- Ne pas installer ce produit en présence d'eau, d'humidité, de vapeur, de poussière, de vapeurs graisseuses, etc.

RUGGED. RELIABLE. RESPONSIVE

3001 Borham Avenue, Stevens Point, Wisconsin 54481 - (+1) 715.344.3790 - gamberjohnson.com
An ISO 9001:2015 Certified Company