



INSTALLATION INSTRUCTIONS

Product 7160-0907 TOUGHBOOK 33 TABLET DOCKING STATION	Revision Rev. H	Form INST-759 Printing Spec: PS-001
--	---------------------------	---

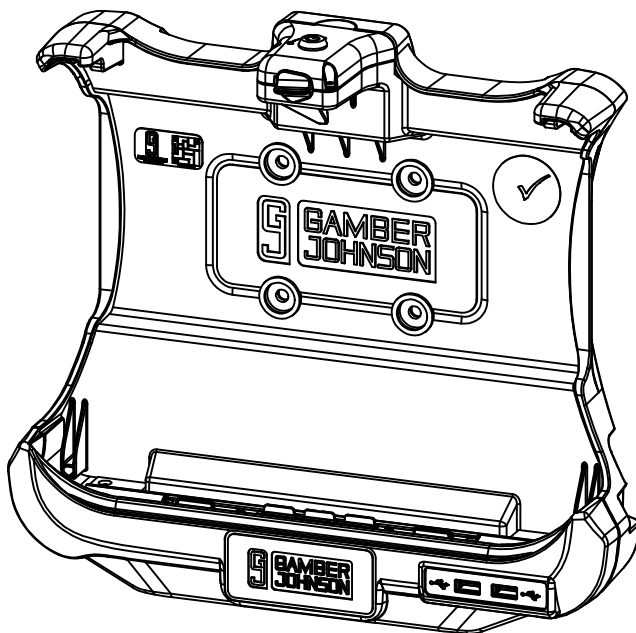
This instruction sheet is for the Panasonic TOUGHBOOK 33 Tablet docking station only. For instructions on features, set-up, and operation of the computer, please refer to the manual provided by Panasonic with the computer.

This docking station is designed to be used with a variety of Gamber-Johnson mounting systems. Installation instructions for other Gamber-Johnson products are provided with each individual product.

This instruction sheet is for the following products:

- Item No. 7160-0907-00** FULL PCB, No RF (External Power Supply sold separately)
- Item No. 7160-0907-02** FULL PCB, Dual RF, Right (External Power Supply sold separately)
- Item No. 7160-0907-06** LITE PCB, NO RF (External Power Supply sold separately)
- Item No. 7160-0907-07** LITE PCB, Dual RF (External Power Supply sold separately)

Panasonic recommends using a Lind Auto Adapter to power the docking station. It can be ordered from Gamber-Johnson (Item No. 7300-0461 for bare wire leads, Item No. 7300-0462 for mountable case and cigarette plug lead).



Product Mounting Disclaimer

Gamber-Johnson is not liable under any theory of contract or tort law for any loss, damage, personal injury, special, incidental or consequential damages for personal injury or other damage of any nature arising directly or indirectly as a result of the improper installation or use of its products in vehicle or any other application. In order to safely install and use Gamber-Johnson products full consideration of vehicle occupants, vehicle systems (i.e., the location of fuel lines, brakes lines, electrical, drive train or other systems), air-bags and other safety equipment is required. Gamber-Johnson specifically disclaims any responsibility for the improper use or installation of its products not consistent with the original vehicle manufactures specifications and recommendations, Gamber-Johnson product instruction sheets, or workmanship standards as endorsed through the Gamber-Johnson Certified Installer Program.

© Copyright 2017 Gamber-Johnson, LLC

If you need assistance or have questions, call Gamber-Johnson at 1-800-456-6868

PRE-INSTALLATION RECOMMENDATIONS

Conduct a "Bench Test"

Gamber-Johnson strongly advises a "bench test" be conducted to verify all electronic and software issues are resolved prior to installation:

1. Make sure the computer is operational by itself.
2. Insert computer into the docking station and verify that the computer is operating in the dock.
3. Interconnect entire assembly and verify start-up of all components, including other equipment (printers, modems, scanners, etc.)

Gamber-Johnson recommends positioning of all mounts and equipment in the vehicle prior to the actual install to verify that mounting locations are safe and practical.

IMPORTANT SAFETY INFORMATION FOR INSTALLERS

Safety is dependent on the proper installation and servicing of this docking station. It is important to read and follow all instructions before installing this product.

To properly install a Gamber-Johnson docking station you must have a good understanding of automotive electrical procedures and systems, along with proficiency in the installation and service of aftermarket vehicle equipment.

There are no adjustments required at any time of the electrical components within the docking station. **Opening the docking station will void the product warranty.**

During Installation:

DO NOT connect this docking station to the vehicle battery until:

1. All other electrical connections are made
2. Mounting of all components is complete
3. Verification that no shorts exist in the entire system

DO NOT install equipment or route wires or cords in the deployment path of any air bag.

DO NOT over tighten mounting hardware - recommended torque = 30 in/lbs

When drilling into the vehicle, **DO** make sure that both sides of the surface are clear of anything that could be damaged.

CAUTION: *If wiring is shorted to the frame, high current conductors can cause hazardous sparks resulting in electrical fires or flying molten metal.*

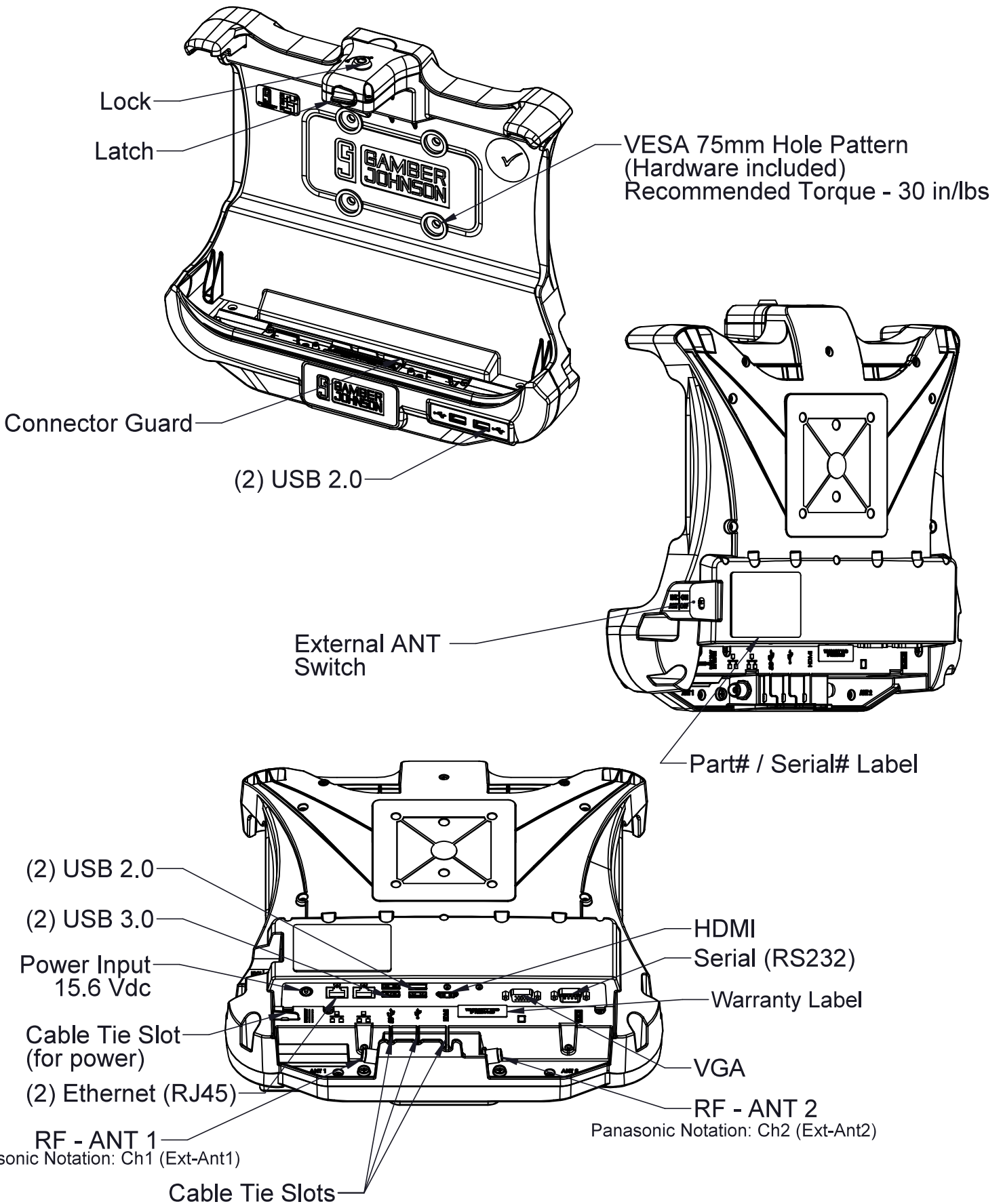
After installation:

Test the docking station to ensure that it is working properly.

File these instructions in a safe place and refer to them when performing maintenance or re-installing.

WARNING: *Failure to follow all safety precautions and instructions may result in property damage, serious injury, or death.*

TOUGHBOOK 33 TABLET DOCK FEATURE IDENTIFICATION



NOTE: "LITE" version dock will not have VGA and HDMI ports

CABLE MANAGEMENT FEATURES AND PROPER INSTALLATION

1.) Use Zip ties (provided) to secure each port cable to the specific strain relief feature on the dock

Cable Tie Slots (Port Specific)

Power USB USB HDMI



ATTACHING THE HAND STRAP TO THE TABLET

The Dock will accommodate tablet with hand strap or extended battery module but not both.

Below is the correct way to attach the hand strap to the tablet so that it functions properly with the docking station.



Below is an example for **INCORRECT** way to attach the hand strap to the tablet.



Figure 1



Figure 2



Figure 3

Figure 1: Plastic clip run over the outline of the laptop

Figure 2: Plastic clip run over the outline of the laptop and No space between edge of the tablet and edge of the hand strap

Figure 3: The clip/strap on the bottom is loose

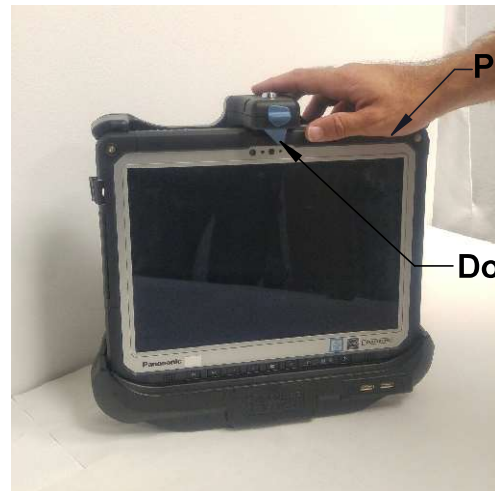
DOCKING AND UNDOCKING THE TABLET

TO DOCK THE TABLET

1. Turn the tablet off.
2. Gently insert the bottom of the tablet into the docking station and push it down. The two ribs in the dock will guide the tablet into the correct position.
2. Gently rotate the top of the tablet into the dock until latch spring down and holds tablet in place.
3. Turn the tablet on for use.
4. (Optional) Turn the key to "LOCKED" position (counter clockwise) for security purpose.



Insert Bottom First



Push inward

Dock "Latched"

TO UNDOCK THE TABLET

1. Turn the key to the "UNLOCKED" position (Clockwise).
2. Push upward on the blue thumb knob and pull outward on the tablet until the tablet clears the latch portion of the dock.
3. Lift the tablet vertically upwards and remove it from the dock.



Push up the Latch



Push outward

Regulatory Certification Information

Regulatory Model #: 7160-0907

GJ Model #'s & Description:

7160-0907-00	Dock-Panasonic CF33 Tablet- Full PCB - No RF
7160-0907-02	Dock-Panasonic CF33 Tablet- Full PCB - Dual RF
7160-0907-06	Dock-Panasonic CF33 Tablet- Lite PCB - No RF
7160-0907-07	Dock-Panasonic CF33 Tablet- Lite PCB - Dual RF

Certifications:

- EN 55032: 2012/AC: 2013 Class B
- EN 50498:2010
- EN 50581:2012

This device complies with Part 15 of the FCC Rules. Operation is subject to the following two conditions. (1) this device may not cause harmful interference, and (2) this device must accept any interference received, including interference that may cause undesired operation.



Gamber-Johnson LLC, 3001 Borham Ave., Stevens Point, WI, 54481, USA, 715-344-3482