



# PRODUCT GUIDE

## Getac F120 Tablet Cradle

### PRODUCT NUMBER(S)

7160-2128 Series



For more language options and/or questions, please contact a Gamber-Johnson representative at **+1 800.756.9198**

Since 1954, we have been dedicated to providing **RUGGED**, **RELIABLE**, and **RESPONSIVE** solutions that empower professionals in the field.

## Thank you for choosing Gamber-Johnson.

Welcome to your new **Gamber-Johnson Cradle**—engineered for **mission-critical reliability** in the toughest environments. At Gamber-Johnson, we understand that your technology is more than a tool; it's a lifeline. That's why our rugged mounting solutions and docking stations are designed to integrate seamlessly with your equipment, ensuring **secure connections** and **reliable performance** wherever your job takes you.

This guide will walk you through the safe and effective installation of your **Cradle**.

Inside, you'll find:

- Inventory list of what's included
- Step-by-step installation instructions
- Images for easy reference
- Essential safety information to ensure proper setup and operation

Our commitment to **quality**, **durability**, and **rugged reliability** is built into every product we make.

**Important:** Before you begin, please carefully review all safety instructions provided in this guide. For vehicle applications, we recommend professional installation by qualified technicians with experience in automotive electrical systems and aftermarket vehicle equipment installation.

For additional product information, installation tips, or support, please contact your Gamber-Johnson representative at **+1 800.756.9198** or visit **[www.gamberjohnson.com](http://www.gamberjohnson.com)**.

<b>PAGE</b>	<b>SECTION</b>
1	<b>Cover Page</b>
2	<b>Introduction</b>
3	<b>Table Of Contents</b>
4	<b>Components Included</b>
5	<b>Notes</b>
6	<b>Feature Identification</b>
7	<b>Safety Information</b>
8	<b>Installation</b>
9	<b>Docking &amp; Undocking</b>
10	<b>Specifications</b>
11	<b>Warranty</b>

# COMPONENTS INCLUDED



QTY	P/N	DESCRIPTION
1	7160-2128-XX	Cradle



QTY	P/N	DESCRIPTION
1	7120-0430	Hardware Bag 1/4"-20 Nut and Washer



QTY	P/N	DESCRIPTION
1	N/A	Keys

This Product Guide is for the **Getac F120 Tablet Cradle**.

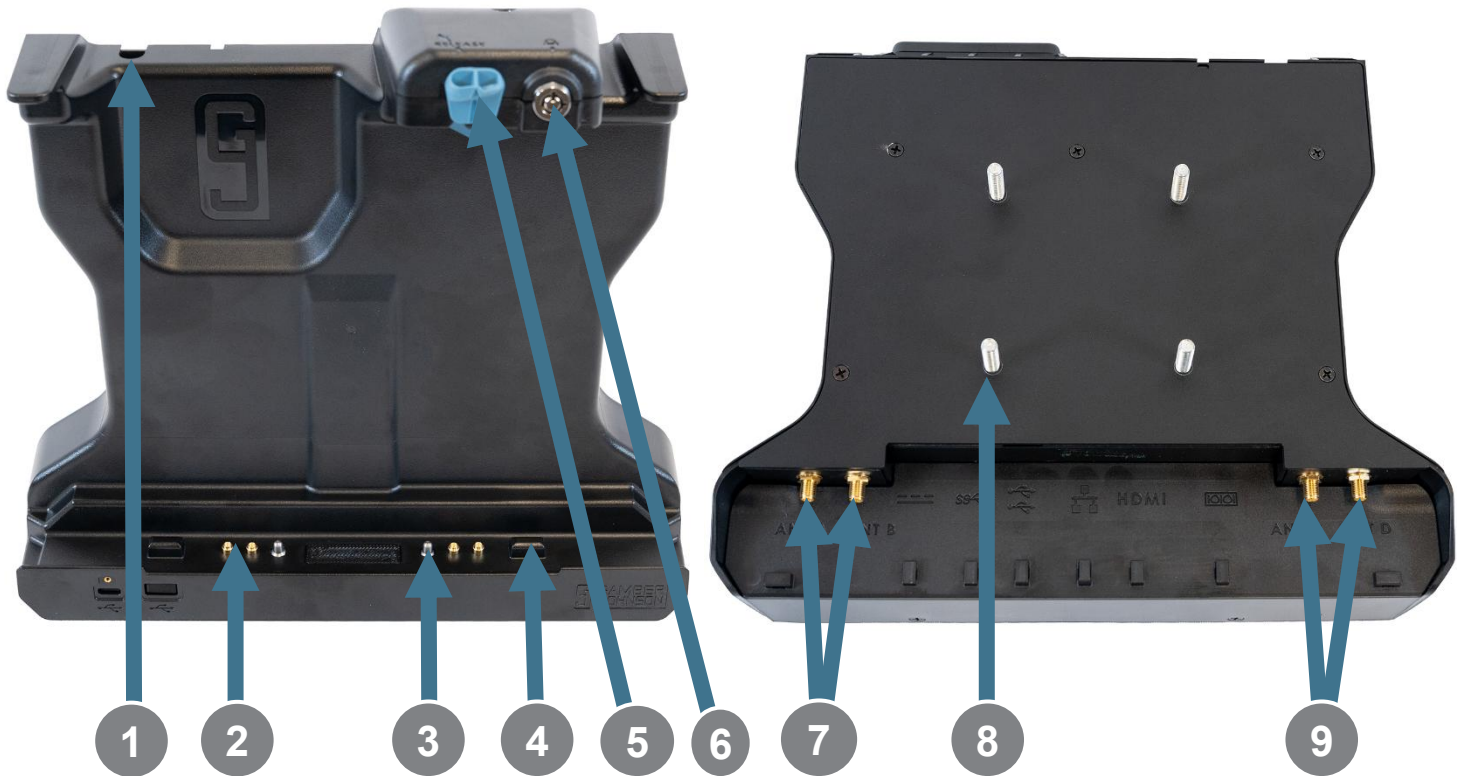
Before you begin installation, please review all safety instructions to ensure proper setup. For instructions on computer features, setup, and operation, refer to your device’s manual.

This cradle is designed to work seamlessly with Gamber-Johnson’s extensive line of rugged mounting systems. Visit [www.gamberjohnson.com/products](http://www.gamberjohnson.com/products) to explore our full range of solutions and accessories. Installation instructions for additional Gamber-Johnson products are included with each individual product.

**Important:** Before installation, ensure you have the recommended power adapters to power the tablet. These can be ordered separately from Gamber-Johnson. Please refer to the list of compatible power supplies included below.

PRODUCT SELECTION	
MODEL NUMBER	DESCRIPTION
7300-0413	Lind Power Supply – Isolated, 12-32 Vdc Input, Bare Wire
7300-0412	Lind Power Supply – Isolated, 20-60 Vdc Input, Bare Wire
7300-0416	Lind Power Supply – Isolated, 72-110 Vdc Input, Bare Wire
7300-0471	Getac Power Supply – Auto, 12-32 Vdc Input, 19 Vdc 120-Watt Output, Cig Adapter
7300-0516	Getac Power Supply – Auto, 12-32 Vdc Input, 19 Vdc 120-Watt Output, Bare Wire

For additional product information, installation tips, or support, please contact your Gamber-Johnson representative at **+1 800.756.9198**.



	DESCRIPTION
1	Stylus Holder
2	Pass-through SMA RF; Default Configuration: Ant A-WWAN MIMO, ANT B-WWAN Main (Optional, -04 Sku only)
3	Guide Pins (-04 Sku only)
4	Locating Guides
5	Thumb Latch
6	Keyed Lock
7	Antenna A and B – Pass-through SMA (Optional, -04 Sku only)
8	¼”-20 Mounting Studs- VESA Pattern
9	Pass-through SMA RF; Default Configuration: ANT C-WLAN or WWAN Aux, ANT D-GPS (Optional, -04 Sku only)

Safety is dependent on the proper installation and servicing of this cradle. It is important to read and follow all instructions before installing this product.

To properly install a Gamber-Johnson cradle you must have a good understanding of automotive electrical procedures and systems, along with proficiency in the installation and service of aftermarket vehicle equipment.

There are no adjustments required at any time of the components within the cradle. **Opening the cradle will void the product warranty.**

### During Installation:

- Do not use this cradle until:
  - Mounting of all components is complete

### After Installation:

- Test the cradle to ensure that it is working properly.

### General Safety Notes:

- Do not install equipment or route wires or cords in the deployment path of any air bag.
- When drilling into the vehicle, DO make sure that both sides of the surface are clear of anything that could be damaged.

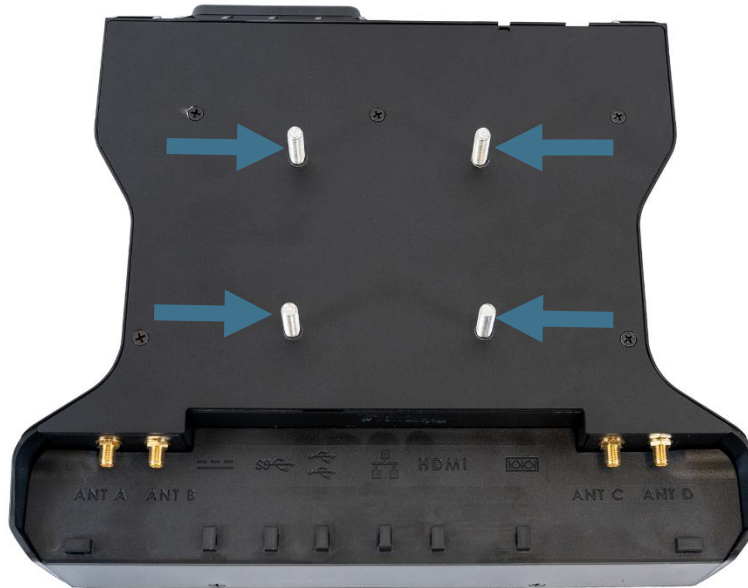
## CAUTION

If wiring is shorted to the frame, high current conductors can cause hazardous sparks resulting in electrical fires or flying molten metal.

## WARNING

Failure to follow all safety precautions and instructions may result in property damage, serious injury, or death.

File these instructions in a safe place and refer to them when performing maintenance or reinstalling.



**Figure 1**

1. A mount with a VESA 75 pattern is required to mount the cradle using the 1/4"-20 mounting studs on the rear of the dock. (Figure 1)
2. Attach the cradle to the selected mount using the 1/4"-20" hardware from the 7120-0430 hardware bag.

## Operation: Docking

1. Insert the bottom of the tablet into the cradle. (Figure 1)
2. Rotate the top of the tablet under the top latch until the tablet is resting inside the main housing. The latch will spring down in front of the tablet to hold it in place. (Figure 2)
3. (Optional) Turn the lock 90 degrees CCW to lock the tablet in cradle. (Figure 3)



Figure 1



Figure 2

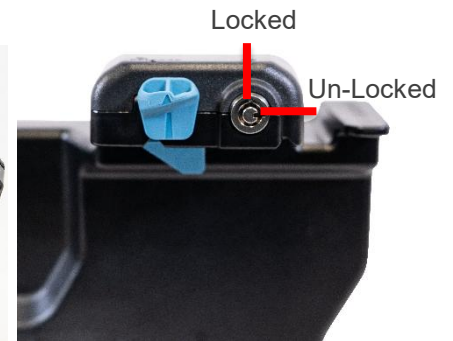


Figure 3

## Operation: Un-Docking

1. Unlock the cradle if previously locked. Turn the lock 90 degrees CW.
2. Push upward on the thumb latch and pull outward on the top of the tablet until it clears the latch. (Figures 4 and 5)
3. Lift the tablet up and out of the cradle. (Figure 6)



Figure 4



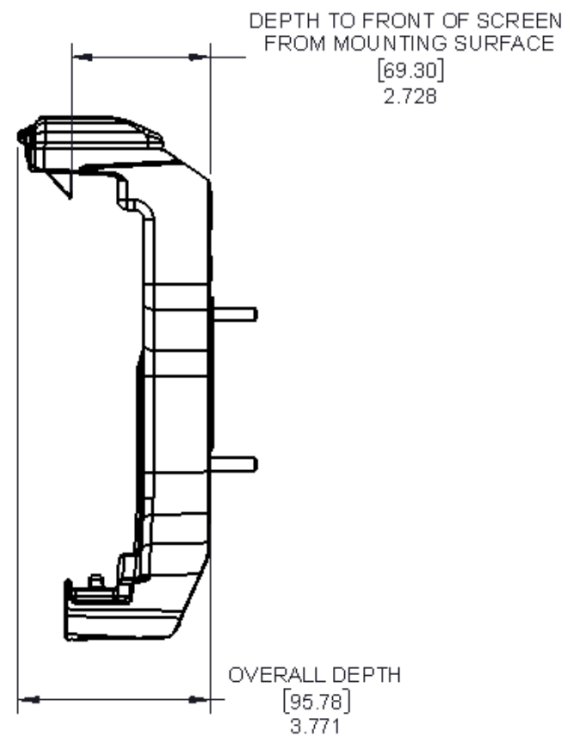
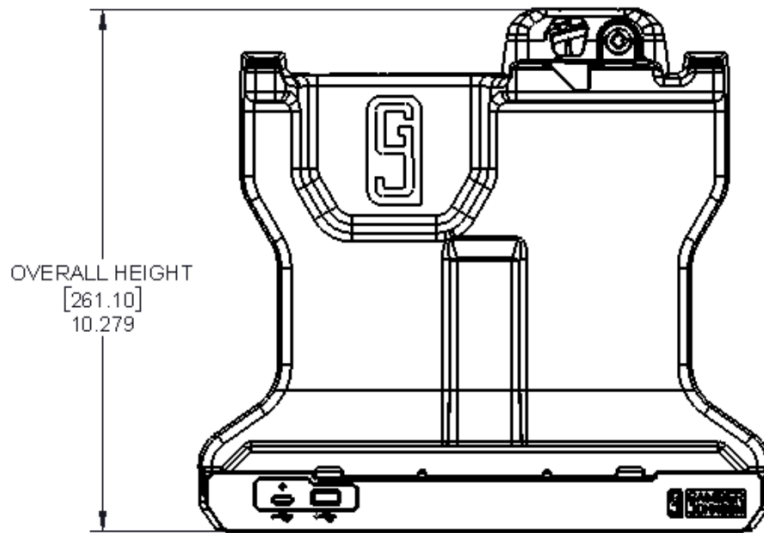
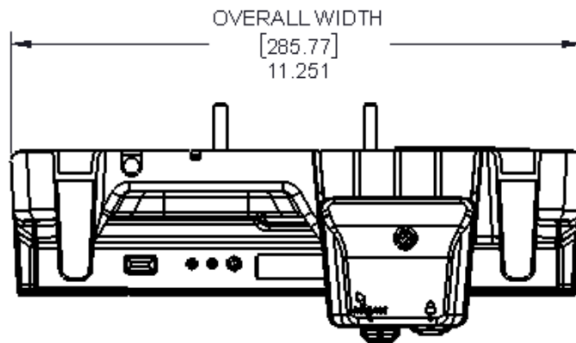
Figure 5



Figure 6

## WEIGHT

2.3 lbs



MEASUREMENTS  
[MM]  
IN



**SCAN HERE TO VIEW WARRANTY INFORMATION**

[www.gamberjohnson.com/product-services/warranty-information](http://www.gamberjohnson.com/product-services/warranty-information)

#### **Product Mounting Disclaimer**

Gamber-Johnson is not liable under any theory of contract or tort law for any loss, damage, personal injury, special, incidental or consequential damages for personal injury or other damage of any nature arising directly or indirectly as a result of the improper installation or use of its products in vehicle or any other application. In order to safely install and use Gamber-Johnson products full consideration of vehicle occupants, vehicle systems (i.e., the location of fuel lines, brake lines, electrical, drive train or other systems), air-bags and other safety equipment is required. Gamber-Johnson specifically disclaims any responsibility for the improper use or installation of its products not consistent with original vehicle manufactures specifications and recommendations, Gamber-Johnson product instruction sheets, or workmanship standards as endorsed through the Gamber-Johnson Certified Installer Program.

© Copyright 2026 Gamber-Johnson, LLC

## **QUESTIONS OR NEED MORE INFORMATION?**

### **NO PROBLEM, WE'RE HERE TO HELP!**

Call us at: **+1 800.756.9198**

Email us at: [sales@gamberjohnson.com](mailto:sales@gamberjohnson.com)

Visit [www.gamberjohnson.com](http://www.gamberjohnson.com) to see our complete line of solutions and hang with us on social media at [@gamberjohnson](https://www.instagram.com/gamberjohnson)