



# INSTALLATION INSTRUCTIONS

**Product**

7160-1594

WINDOW GUARD LIGHT MOUNT BRACKET

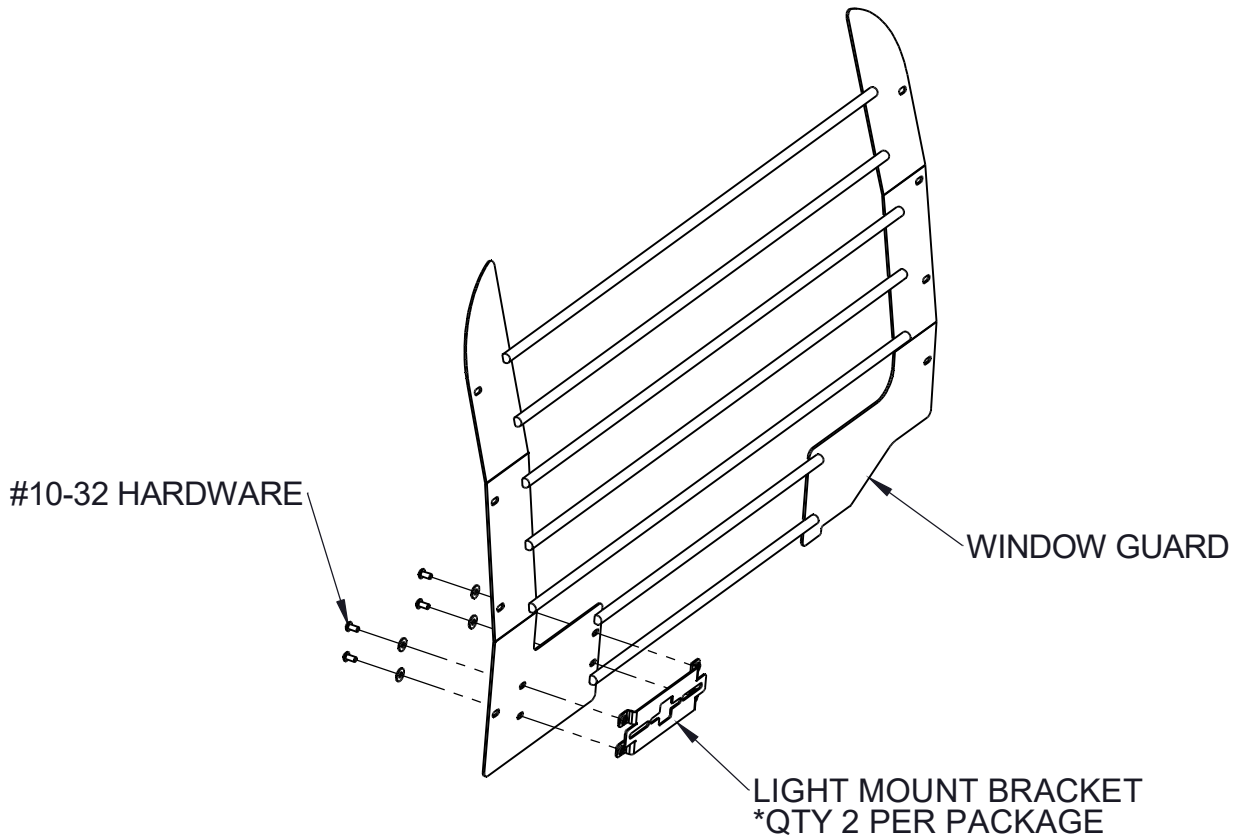
**Revision**

B

**Form**

INST-1007

Printing Spec: PS-001



**To Install:**

1. Mount the light of user's choice to the Light Mount Bracket. (see page 2 for light compatibility)
2. Attach the bracket to the window guards with provided #10-32 hardware.
3. Install the Window guard on to the vehicle.

**Product Mounting Disclaimer**

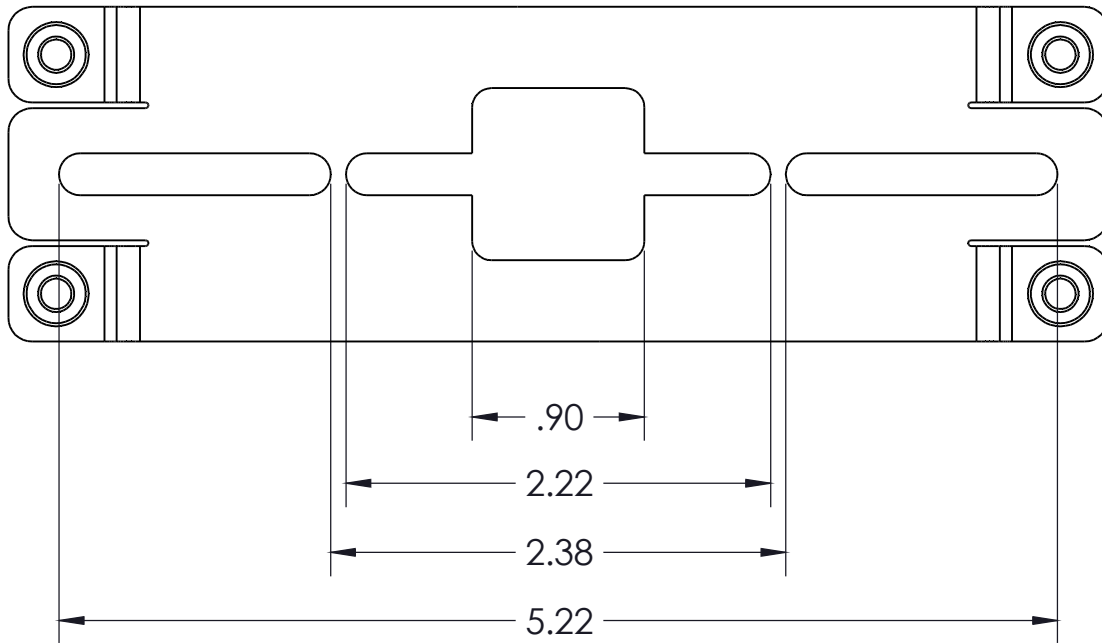
Gamber-Johnson is not liable under any theory of contract or tort law for any loss, damage, personal injury, special, incidental or consequential damages for personal injury or other damage of any nature arising directly or indirectly as a result of the improper installation or use of its products in vehicle or any other application. In order to safely install and use Gamber-Johnson products full consideration of vehicle occupants, vehicle systems (i.e., the location of fuel lines, brake lines, electrical, drive train or other systems), air-bags and other safety equipment is required. Gamber-Johnson specifically disclaims any responsibility for the improper use or installation of its products not consistent with original vehicle manufactures specifications and recommendations, Gamber-Johnson product instruction sheets, or workmanship standards as endorsed through the Gamber-Johnson Certified Installer Program.

© Copyright 2020 Gamber-Johnson, LLC

If you need assistance or have questions, call Gamber-Johnson at 1-800-456-6868

## Light Pattern:

### 1. Light hole Pattern dimension:



## Acceptable Lights

### 1. The light bar knockouts are designed for the following light models (other lights may fit):

Code3:	Sound Off Signal:	Whelen:
CD3511 Series	mPower 3 Screw Mount	ION™ Light - Surface Mount Gen II
CD4080 Series	mPower 3 Stud Mount	ION™ V-Series™ Surface Mount Warning Light
CD5031 Series Stud Mount	mPower 4 Screw Mount	Micron™ Series Super-LED® Light
CD5031 Series Surface Mount	mPower 4 Stud Mount	Micron™ Super-LED® Light (Stud Mount)
CD5051 SERIES	mPower 4x2 Fascia Lights Screw Mount	Mini T-Series™ Lighthouse (Flange Mount)
M180 Series	mPower 4x2 Fascia Lights Stud Mount	Whelen - T-Series™ Lighthouse (Stud Mount)
M180L Series	nFORCE Single Surface Mount	
Mega Thin™ Series 3.7	mPower 7x3	<b>Federal Signal:</b>
Mega Thin™ Series 4.75	mPower HD 4	4200S
MR6 Series		MicroPulse CX Series Dual Color
XTP4 SERIES	<b>Feneix:</b>	MicroPulse CX Series Dual Color
XTP4DS SERIES	Q® Series Surface Mount	MicroPulse MPS3U
	Q® Series Dual Surface Mount	MicroPulse MPS6U & MPS9U
	Q® Series Flat Surface Mount	
	Q® Series Flat Dual Surface Mount	