



# INSTALLATION INSTRUCTIONS

## Product

7160-1604  
TRUNK BOX LEG KIT 2021+ TAHOE W/CARGO  
PARTITION

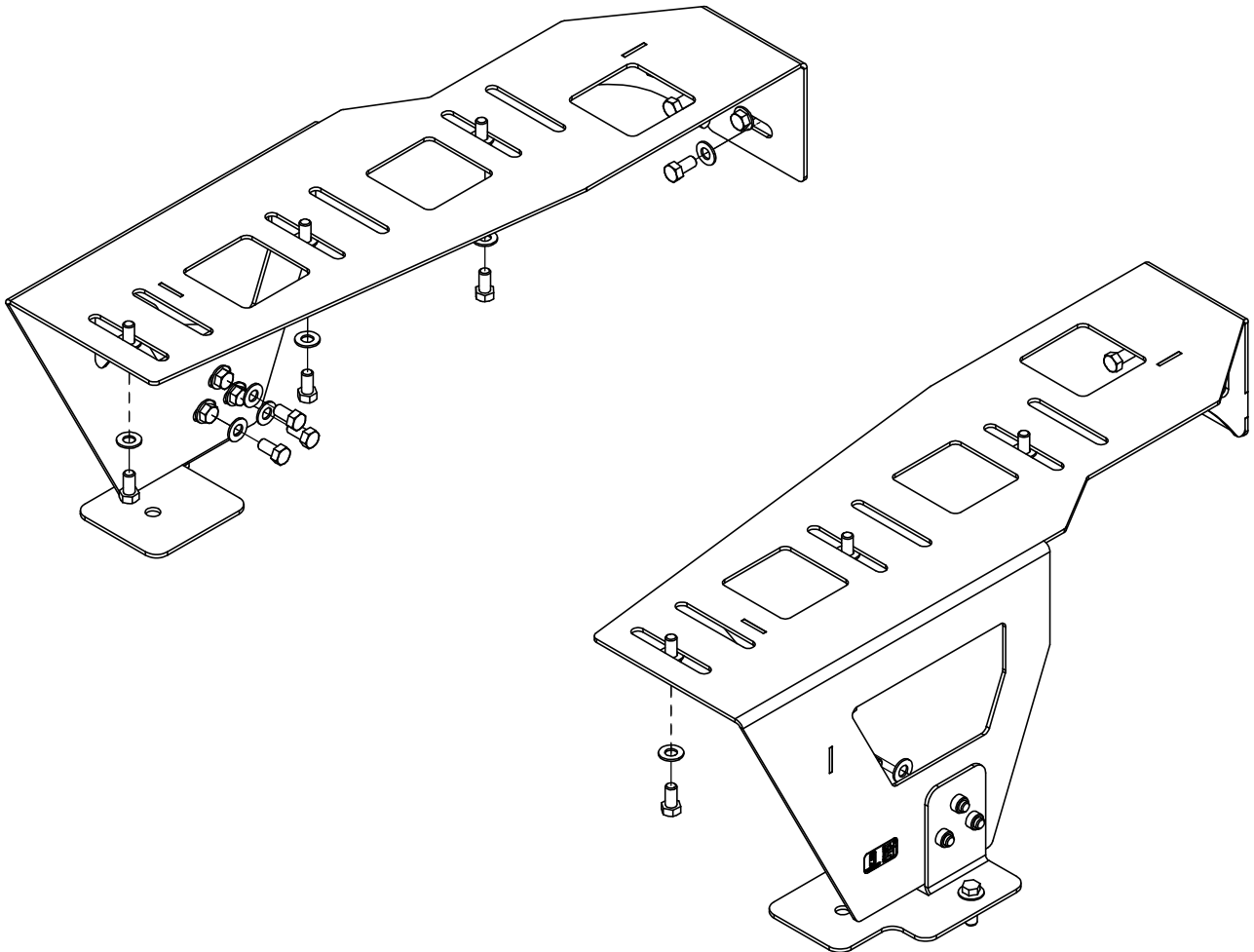
## Revision

Rev B

## Form

INST-1037

Printing Spec: PS-001



1. Install both driver and passenger side lower brackets onto the vehicle. For each, remove and reuse the OEM fastener already installed in the vehicle. Use the provided M10 fastener for the remaining hole.
2. Install each trunk box support leg onto the partition using the supplied 3/8 hardware.
3. Fasten the support leg to the lower brackets from step 1 using the supplied 3/8 hardware.
4. Place the trunk box on the support legs. Using the 3/8 hardware supplied install the box to the support leg
5. Tighten all hardware.

### Product Mounting Disclaimer

Gamber-Johnson is not liable under any theory of contract or tort law for any loss, damage, personal injury, special, incidental or consequential damages for personal injury or other damage of any nature arising directly or indirectly as a result of the improper installation or use of its products in vehicle or any other application. In order to safely install and use Gamber-Johnson products full consideration of vehicle occupants, vehicle systems (i.e., the location of fuel lines, brake lines, electrical, drive train or other systems), air-bags and other safety equipment is required. Gamber-Johnson specifically disclaims any responsibility for the improper use or installation of its products not consistent with original vehicle manufactures specifications and recommendations, Gamber-Johnson product instruction sheets, or workmanship standards as endorsed through the Gamber-Johnson Certified Installer Program.

© Copyright 2021 Gamber-Johnson, LLC

If you need assistance or have questions, call Gamber-Johnson at 1-800-456-6868



1/1