



# INSTALLATION INSTRUCTIONS

**Product**

7160-2037

LEG KIT, RIVIAN R1T & R1S

**Revision**

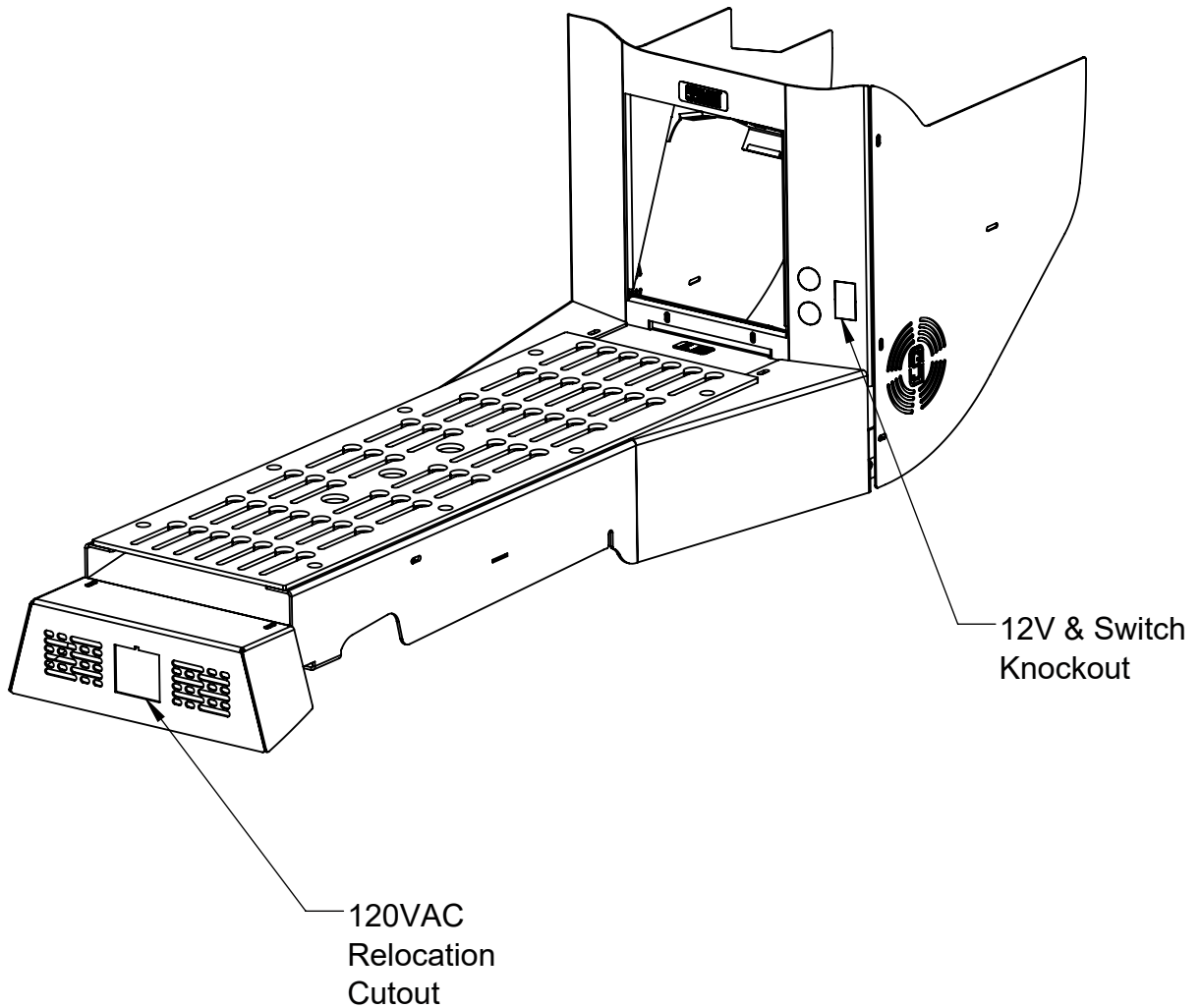
Rev A

**Form**

INST-1209

**Printing Spec:** PS-001

NOTE: INSTALLATION MAY VARY SLIGHTLY BETWEEN GEN1 AND GEN2 VEHICLES



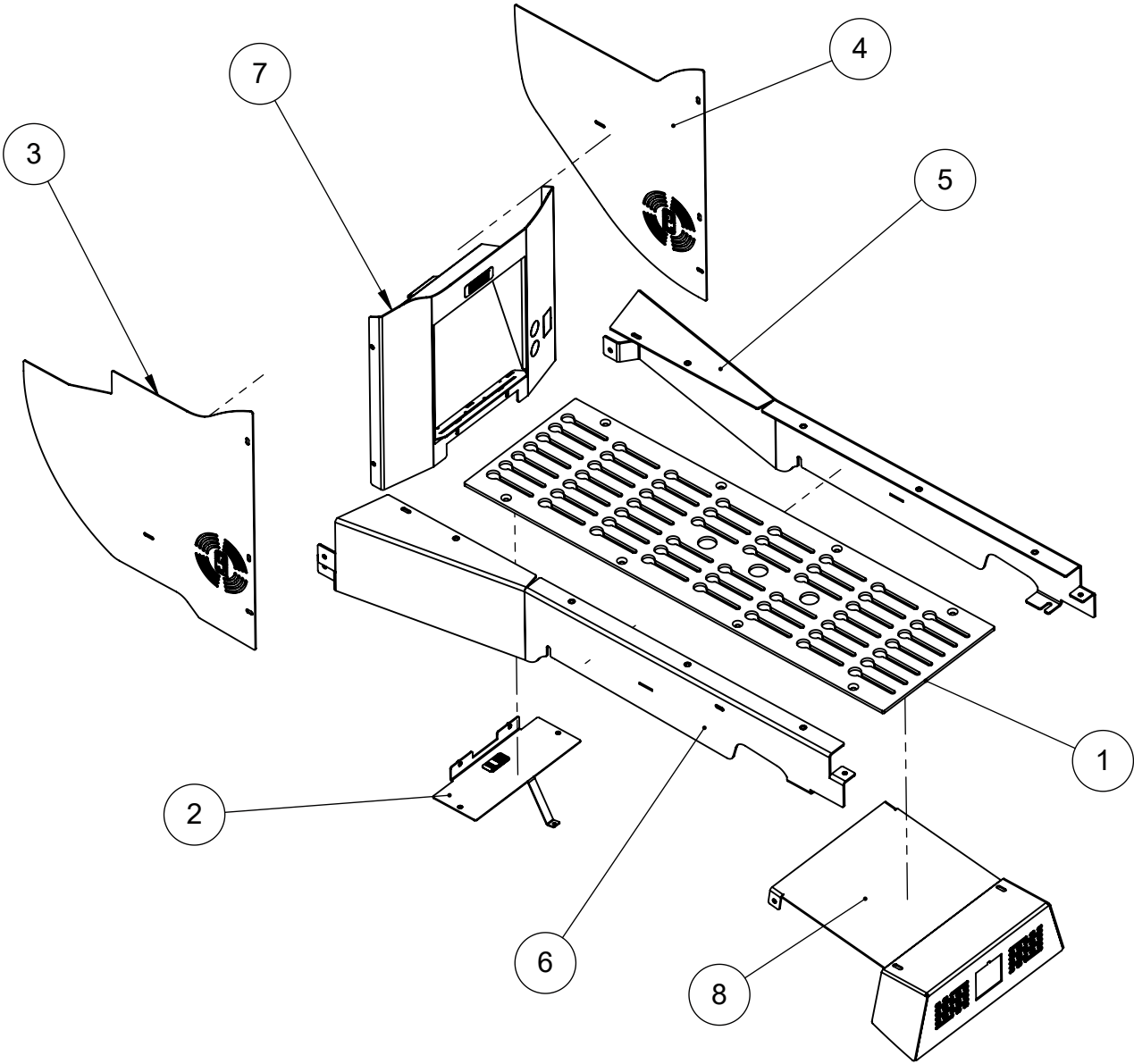
**Product Mounting Disclaimer**

Gamber-Johnson is not liable under any theory of contract or tort law for any loss, damage, personal injury, special, incidental or consequential damages for personal injury or other damage of any nature arising directly or indirectly as a result of the improper installation or use of its products in vehicle or any other application. In order to safely install and use Gamber-Johnson products full consideration of vehicle occupants, vehicle systems (i.e., the location of fuel lines, brake lines, electrical, drive train or other systems), air-bags and other safety equipment is required. Gamber-Johnson specifically disclaims any responsibility for the improper use or installation of its products not consistent with original vehicle manufactures specifications and recommendations, Gamber-Johnson product instruction sheets, or workmanship standards as endorsed through the Gamber-Johnson Certified Installer Program.

© Copyright 2025 Gamber-Johnson, LLC

If you need assistance or have questions, call Gamber-Johnson at 1-800-456-6868

ITEM NO.	PART NUMBER	DESCRIPTION	QTY.
1	21921	29" FLAT TOP KEYHOLE PLATE	1
2	21807	FRONT FLOOR COVER PANEL - LEG KIT, RIVIAN R1T & R1S	1
3	21810	WING, DS - LEG KIT, RIVIAN R1T & R1S	1
4	21809	WING, PS - LEG KIT, RIVIAN R1T & R1S	1
5	21804	LEG BRACKET, PS - LEG KIT, RIVIAN R1T & R1S	1
6	21805	LEG BRACKET, DS - LEG KIT, RIVIAN R1T & R1S	1
7	21808	FRONT COVER PANEL - LEG KIT, RIVIAN R1T & R1S	1
8	21806	REAR COVER PANEL - LEG KIT, RIVIAN R1T & R1S	1

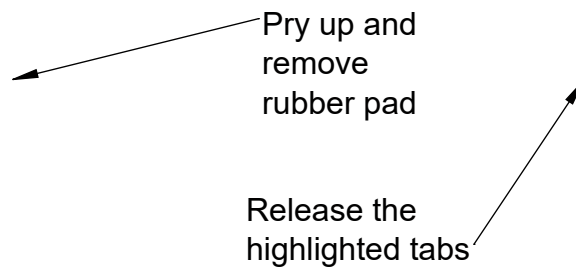


1. Remove driver seat, passenger seat, and center console per Rivian factory service manual

**NOTE: Once power is disconnected from the center console it will be inoperable. Remove all personal items from console prior to removing**

2. Remove 120 volt outlet from center console and relocate to the rear cover panel on the Gamber leg kit

3. Remove rubber charge pad and wireless charge module from center console



4. Turn center console over, remove orange 120 volt harness

5. Remove screws holding HVAC to underside of console

## ⚠️IMPORTANT NOTICE⚠️

**GEN 1 Rivian (2022-2024):** It is optional to remove and reuse the factory console harness. Failing to do so will mean the relocated charge pad will be inoperable

**GEN 2 Rivian (2025+):** If Rivian Wire Harness 7100-0504 has not been purchased. The low voltage harness will need to be removed from the factory console

6. Loosely place the HVAC duct in the OEM position

7. Place leg brackets on either side of console space, aligning OEM fastener locations with clearance holes in brackets. Insert OEM fastener into their respective locations and thread them on by one or two turns, ensuring they remain loose for now. **Do not fully tighten**

Align the rear most tabs of the HVAC duct with the square cutouts in the leg brackets

8. Route 120 volt harness and low voltage harness under leg kit like shown

- a. Route 120VAC harness towards the rear of the leg kit
- b. Connect thermistor in HVAC duct
- c. Route charge pad plug to front of leg kit
- d. Route accent lighting plug to front of leg kit (Optional, See PAGE 7)

9. Slip the front cover panel under the legs and fasten using (2) #10 screws and washers

10. Attach the key hole top plate using provided 1/4-20 flat head hardware

11. Tighten all OEM hardware

12. Connect the 120VAC harness to the installed outlet and fasten the Rear Cover Panel to the Leg Brackets using (4) #10 screws and washers.

## Optional Accent Lighting

Accommodations are provided to relocate the accent light from the OEM console. In order to do so:

- a. Remove the accent light from the OEM console
- b. Using the provided 3M Dual Loc, adhere the low density to the frontside of the light module and high density to the location shown in the photo
- c. Plug light into harness
- d. Attach light to front cover panel

13. Install front cover panel using (2) #10 screws and washers

14. Install provided plastic snap-in nuts into the rectangular cutouts shows below, once installed roughly center the clips

15. Install the wings on the driver and passenger side of the leg kit, the photo below shows the driver side wing

a. Fasten to the console using (3) #10 screws and washers

b. Fasten to clip from STEP 14 using the #6 plastic screws

16. To install the wireless charge pad, connect it to the harness, align the 3 fingers with the 3 slots on the Front Cover Panel. Rotate down ensuring all three clips are engaged

17. Replace rubber mat being sure to depress rubber locking tabs

18. Reinstall front seats per factory service manual, installation is now complete.

### Example Setup

