



# PRODUCT GUIDE

## 2025+ Ford Expedition Wide Body Console Box

### PRODUCT NUMBER(S)

7160-2194



For more language options and/or questions, please contact a Gamber-Johnson representative at **+1 800.756.9198**

Since 1954, we have been dedicated to providing **RUGGED**, **RELIABLE**, and **RESPONSIVE** solutions that empower professionals in the field.

## Thank you for choosing Gamber-Johnson.

Welcome to your new **Gamber-Johnson Console Box**—engineered for **mission-critical reliability** in the toughest environments. At Gamber-Johnson, we understand that your technology is more than a tool; it's a lifeline. That's why our rugged mounting solutions and docking stations are designed to integrate seamlessly with your equipment, ensuring **secure connections** and **reliable performance** wherever your job takes you.

This guide will walk you through the safe and effective installation of your **Console Box**.

Inside, you'll find:

- Inventory list of what's included
- Step-by-step installation instructions
- Images for easy reference
- Essential safety information to ensure proper setup and operation

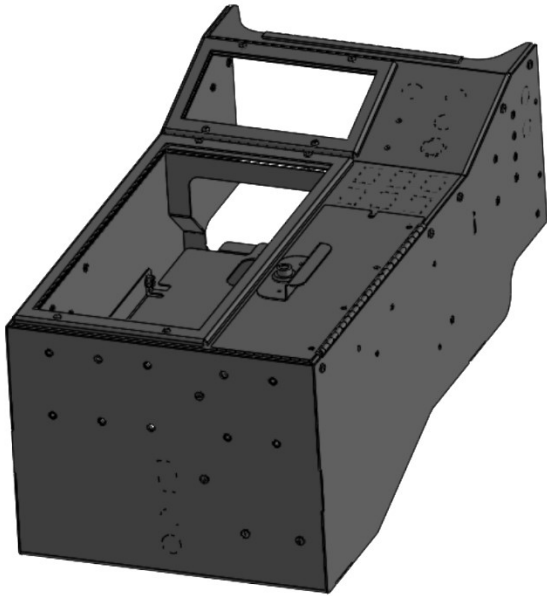
Our commitment to **quality**, **durability**, and **rugged reliability** is built into every product we make.

**Important:** Before you begin, please carefully review all safety instructions provided in this guide. For vehicle applications, we recommend professional installation by qualified technicians with experience in automotive electrical systems and aftermarket vehicle equipment installation.

For additional product information, installation tips, or support, please contact your Gamber-Johnson representative at **+1 800.756.9198** or visit **[www.gamberjohnson.com](http://www.gamberjohnson.com)**.

<b>PAGE</b>	<b>SECTION</b>
1	<b>Cover Page</b>
2	<b>Introduction</b>
3	<b>Table Of Contents</b>
4	<b>Components Included</b>
5	<b>Safety Information</b>
6	<b>Installation</b>
7	<b>Warranty</b>

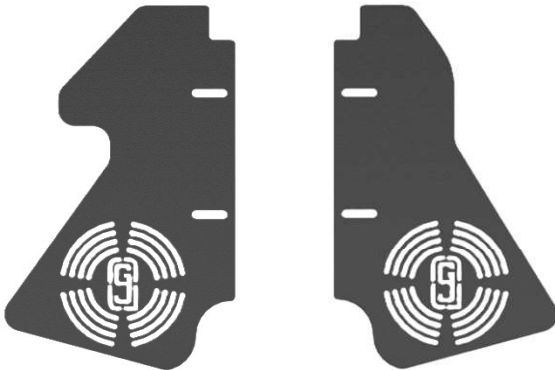
# COMPONENTS INCLUDED



QTY	DESCRIPTION
1	Console Box Assembly



QTY	P/N	DESCRIPTION
1	22524	Motion Device Side Mount



22518

22533

QTY	P/N	DESCRIPTION
1	22533	Passenger Side Filler Panel
1	22518	Drivers Side Filler Panel



QTY	P/N	DESCRIPTION
1	7120-1310	Hardware Bag



QTY	P/N	DESCRIPTION
1	22537	Equipment Tray

## **WARNING**

You must read and follow all of these installation instructions. Failure to follow the installation instructions may result in serious bodily injury or death

DO NOT install or use this assembly in the area in which the airbag on the vehicle may be deployed. The installer and user of this assembly are responsible for installing and using this assembly outside the area in which an airbag may be deployed. (See Product Mounting Disclaimer Below)

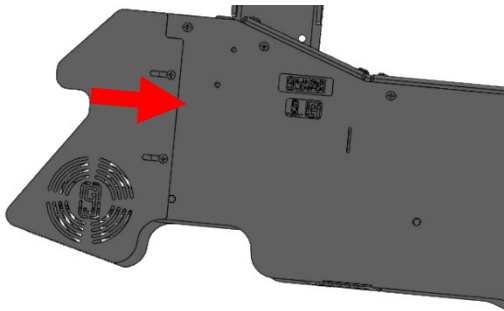
If the installation of the equipment requires that the equipment (or any additional equipment that is added to the installation) be placed in front of an airbag, the airbag should be deactivated. In order to secure permission for deactivating the airbag you must contact the National Highway Traffic Safety Administration at 1-800-424-9393 to gain permission to do so. If you have any questions or need assistance, call Gamber-Johnson at **+1 800-756-9198**.

High speed vehicle turns may cause parts of the assembly to swivel, interfering with the driver or other equipment.

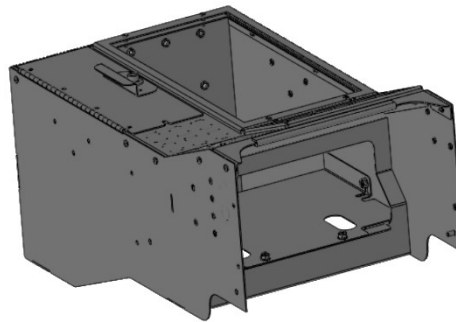
Keep these installation instructions with the product and readily available in the vehicle for future reference of other users of the product.

Additional copies of the installation instruction can be obtained from Gamber-Johnson. If you need assistance or have any questions, go to [www.gamberjohnson.com](http://www.gamberjohnson.com) or call Gamber-Johnson at **+1 800-756-9198**.

DO NOT remove any warning labels from the product under any circumstances.

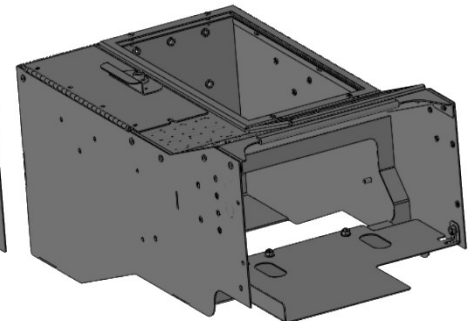


**Figure 1**



Inside Position

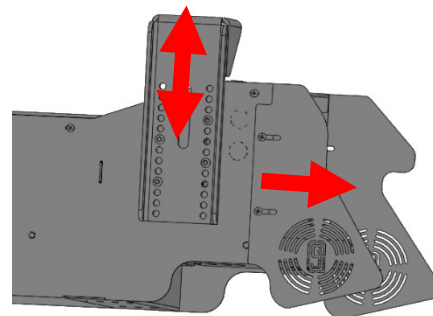
**Figure 2**



Outside position

**Figure 3**

1. Assemble the front side filler panels onto the console box in the recessed position using the (4) #10-32 x 0.375" machine screws from the 7120-1310 hardware bag. (Figure 1)
2. If using the equipment tray, mount it to either the inside or outside position within the console box using the (4) 1/4"-20 nylok flange nuts from the 7120-1310 hardware bag. (Figures 2 and 3)



**Figure 4**

1. Remove 4 bolts holding center tray from between the front seats. Retain the bolts to secure the console box.
2. Place the assembled console box between the front seats locating the mounting holes of the console box over the threaded inserts in the floor. Loosely install the (4) bolts previously remove from the center tray to secure the console box. Slide the console box forward until the rubber edge trim is touching the dash. Tighten the (4) bolts securing the console box to the floor.
3. Loosen the screws holding the front side filler panels and slide the panels forward to achieve the best fit to the vehicle dash then retighten screws. (Figure 4)
4. Assemble motion device side mount at the desired height onto the right side of the console box using the (4) 1/4"-20 x .500" socket button head screws from the 7120-1310 hardware bag. (Figure 4)



**SCAN HERE TO VIEW WARRANTY INFORMATION**

[www.gamberjohnson.com/product-services/warranty-information](http://www.gamberjohnson.com/product-services/warranty-information)

#### **Product Mounting Disclaimer**

Gamber-Johnson is not liable under any theory of contract or tort law for any loss, damage, personal injury, special, incidental or consequential damages for personal injury or other damage of any nature arising directly or indirectly as a result of the improper installation or use of its products in vehicle or any other application. In order to safely install and use Gamber-Johnson products full consideration of vehicle occupants, vehicle systems (i.e., the location of fuel lines, brake lines, electrical, drive train or other systems), air-bags and other safety equipment is required. Gamber-Johnson specifically disclaims any responsibility for the improper use or installation of its products not consistent with original vehicle manufactures specifications and recommendations, Gamber-Johnson product instruction sheets, or workmanship standards as endorsed through the Gamber-Johnson Certified Installer Program.

© Copyright 2026 Gamber-Johnson, LLC

## **QUESTIONS OR NEED MORE INFORMATION?**

### **NO PROBLEM, WE'RE HERE TO HELP!**

Call us at: **+1 800.756.9198**

Email us at: [sales@gamberjohnson.com](mailto:sales@gamberjohnson.com)

Visit [www.gamberjohnson.com](http://www.gamberjohnson.com) to see our complete line of solutions and hang with us on social media at [@gamberjohnson](https://www.instagram.com/gamberjohnson)