



# PRODUCT GUIDE

## RIVIAN R1S AND R1T PASSENGER PARTITION

### PRODUCT NUMBER(S)

7170-1264 SERIES



7170-1264-01



7170-1264-02

For more language options and/or questions, please contact a Gamber-Johnson representative at **+1 800.756.9198**

Since 1954, we have been dedicated to providing **RUGGED**, **RELIABLE**, and **RESPONSIVE** solutions that empower professionals in the field.

## Thank you for choosing Gamber-Johnson.

Welcome to your new **Gamber-Johnson Passenger Partition**—engineered for **mission-critical reliability** in the toughest environments. At Gamber-Johnson, we understand that your technology is more than a tool; it's a lifeline. That's why our rugged mounting solutions and docking stations are designed to integrate seamlessly with your equipment, ensuring **secure connections** and **reliable performance** wherever your job takes you.

This guide will walk you through the safe and effective installation of your **Passenger Partition**.

Inside, you'll find:

- Inventory list of what's included
- Step-by-step installation instructions
- Images for easy reference
- Essential safety information to ensure proper setup and operation

Our commitment to **quality**, **durability**, and **rugged reliability** is built into every product we make.

**Important:** Before you begin, please carefully review all safety instructions provided in this guide. For vehicle applications, we recommend professional installation by qualified technicians with experience in automotive electrical systems and aftermarket vehicle equipment installation.

For additional product information, installation tips, or support, please contact your Gamber-Johnson representative at **+1 800.756.9198** or visit **[www.gamberjohnson.com](http://www.gamberjohnson.com)**.

<b>PAGE</b>	<b>SECTION</b>
1	<b>Cover Page</b>
2	<b>Introduction</b>
3	<b>Table Of Contents</b>
4-7	<b>Components Included</b>
8	<b>Feature Identification</b>
9	<b>Safety Information</b>
10-17	<b>Installation</b>
18	<b>Use</b>
19	<b>Warranty</b>

# COMPONENTS INCLUDED



QTY	P/N	DESCRIPTION
1	7160-1760	Partition Barrier



QTY	P/N	DESCRIPTION
1	22679	Upper Filler Panel



QTY	P/N	DESCRIPTION
1	22671	DS Foot Well



QTY	P/N	DESCRIPTION
1	22672	PS Foot Well

# COMPONENTS INCLUDED



QTY	P/N	DESCRIPTION
1	22675	DS B-Pillar Bracket



QTY	P/N	DESCRIPTION
1	22676	PS B-Pillar Bracket

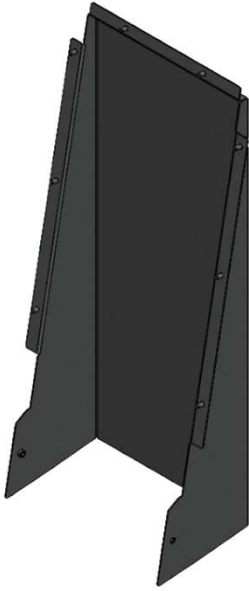


QTY	P/N	DESCRIPTION
1	22673	DS Lower Wing



QTY	P/N	DESCRIPTION
1	22674	PS Lower Wing

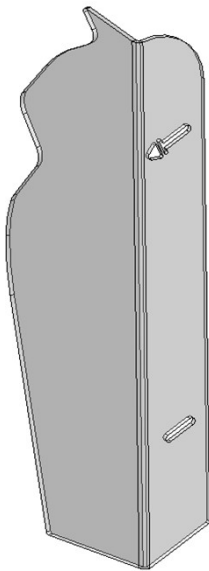
# COMPONENTS INCLUDED



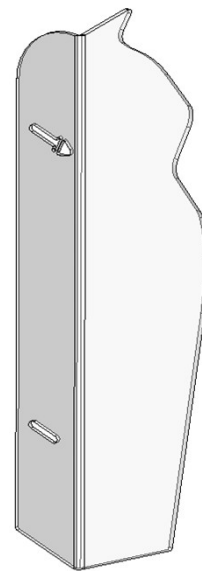
QTY	P/N	DESCRIPTION
1	22680	Lower Center Filler, -01 SKU ONLY



QTY	P/N	DESCRIPTION
1	30171	Lower Center Filler (Flat), -02 SKU ONLY



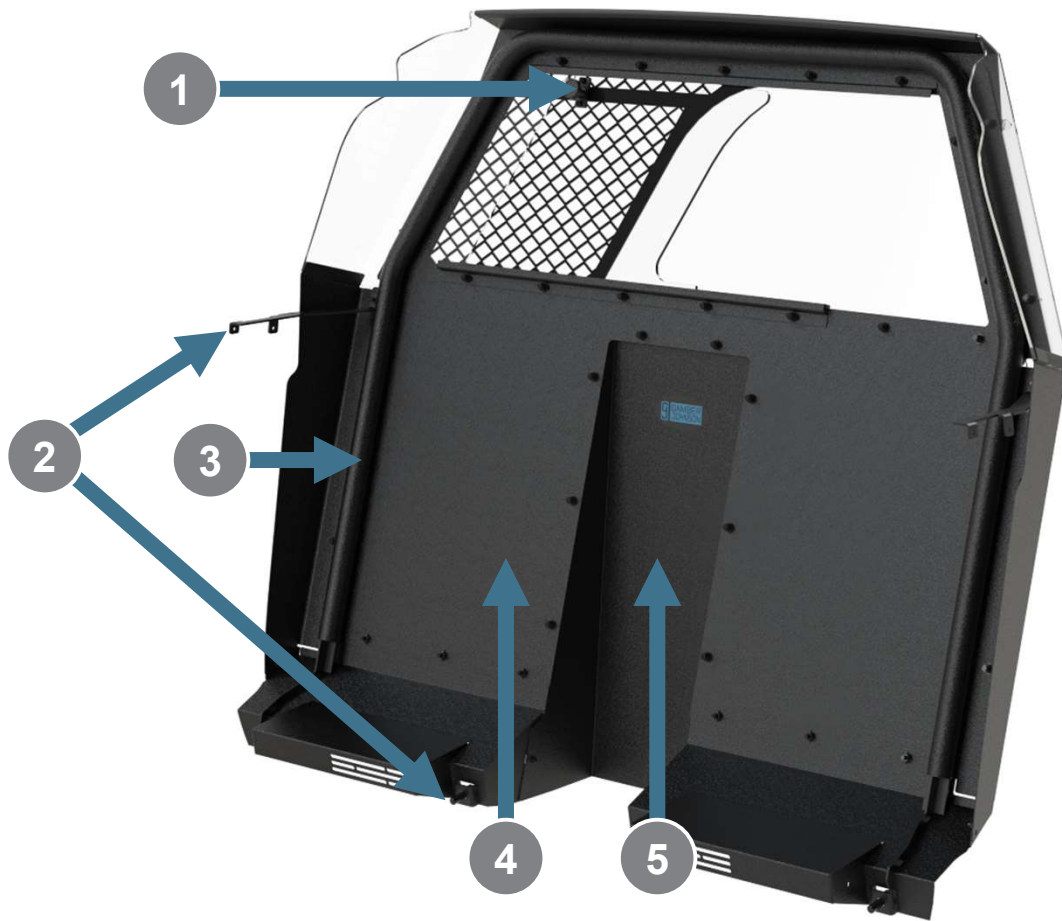
QTY	P/N	DESCRIPTION
1	22677	DS Poly Wing



QTY	P/N	DESCRIPTION
1	22678	PS Poly Wing

QTY.	PARTNO	DESCRIPTION
18	18162-0002	1/4-20 NUT NYLOK CAP FS-014
20	3130-0027	1/4 WASHER FLAT SAE FS-014
4	10206-0004	1/4 FLAT WASHER -NYLON 0.26 X 0.75 X 0.125
4	10215-0003	1/4-20 X .875 SBHS FS-014
6	18857-0001	1/4-20 NUT NYLOK FLANGED FS-014
6	1163-1408	1/4-20 X 0.500 CB FS-014
2	12305-0001	1/4-20 X .500 SBHS-NP FS-014
2	1173-5108	5/16-18 X 0.750 HHCS FS-014
2	10907	5/16 WASHER FLAT SAE FS-014

QTY	P/N	DESCRIPTION
1	7120-1318	Hardware Bag



	DESCRIPTION
1	Latching slide open polycarbonate window
2	Simple installation with minor trim modification
3	Contoured and adjustable to vehicle trim
4	Partition allows for full front seat travel
5	Recessed area for addition of optional gun mounts (-01 SKU only)

## **WARNING**

You must read and follow all of these installation instructions. Failure to follow the installation instructions may result in serious bodily injury or death

DO NOT install or use this assembly in the area in which the airbag on the vehicle may be deployed. The installer and user of this assembly are responsible for installing and using this assembly outside the area in which an airbag may be deployed. (See Product Mounting Disclaimer Below)

If the installation of the equipment requires that the equipment (or any additional equipment that is added to the installation) be placed in front of an airbag, the airbag should be deactivated. In order to secure permission for deactivating the airbag you must contact the National Highway Traffic Safety Administration at 1-800-424-9393 to gain permission to do so. If you have any questions or need assistance, call Gamber-Johnson at **+1 800-456-6868**.

High speed vehicle turns may cause parts of the assembly to swivel, interfering with the driver or other equipment.

Keep these installation instructions with the product and readily available in the vehicle for future reference of other users of the product.

Additional copies of the installation instruction can be obtained from Gamber-Johnson. If you need assistance or have any questions, go to [www.gamberjohnson.com](http://www.gamberjohnson.com) or call Gamber-Johnson at **+1 800-456-6868**.

DO NOT remove any warning labels from the product under any circumstances.

Driver side of vehicle is shown. Perform steps to both drivers and passenger sides.

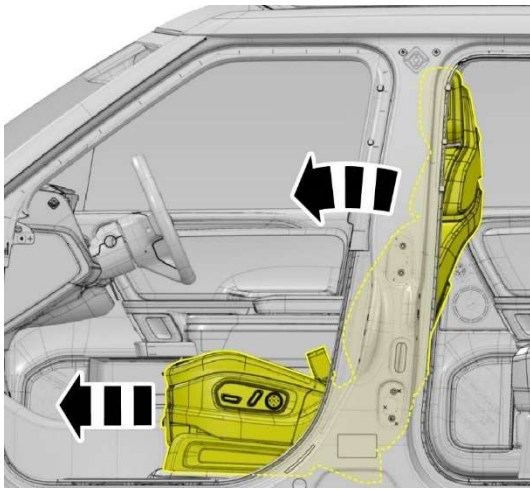


Figure 1

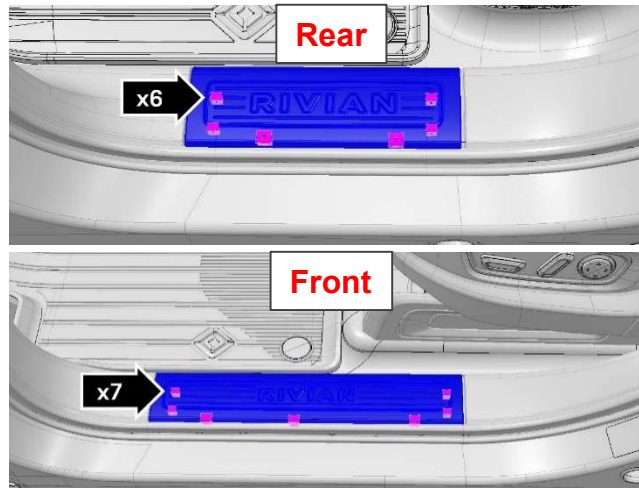


Figure 2

1. Position front seats in the farthest forward position with the seat backs tilted farthest forward. (Figure 1)
2. Remove the front and rear sill plates by gently prying the highlighted clips loose. (Figure 2)
3. Remove the rear floor mats. (Optional)

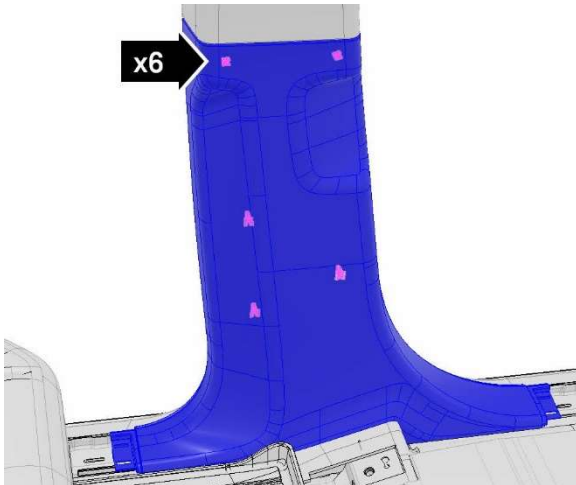


Figure 3



Figure 4

1. Remove the lower B-Pillar trim by prying gently near the highlighted clips. (Figure 3)
2. Unfasten upper B-pillar trim from B-pillar by gently prying near highlighted clips. (Figure 4)

Driver side of vehicle is shown. Perform steps to both drivers and passenger sides.

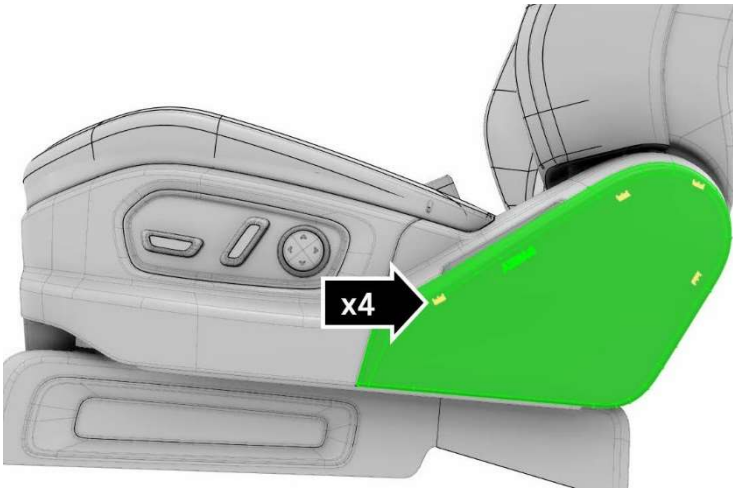


Figure 5

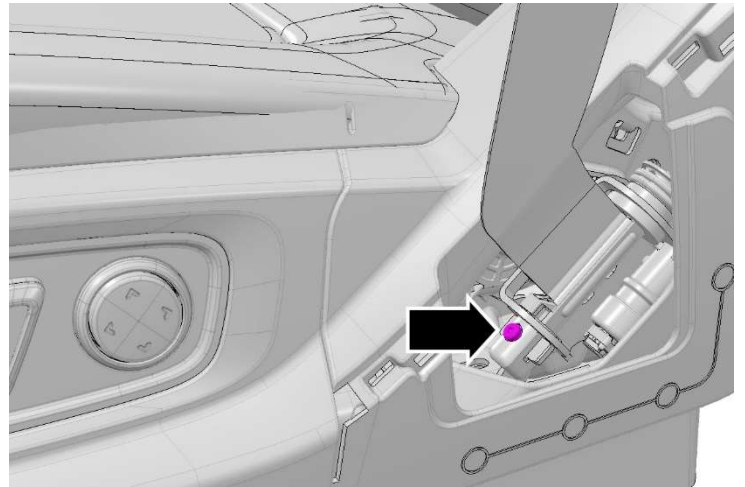


Figure 6

1. Unlatch the top of the safety belt anchor trim by gently pry the highlighted clips loose. (Figure 5)
2. Remove the highlighted screw from the safety belt anchor. (Figure 6)

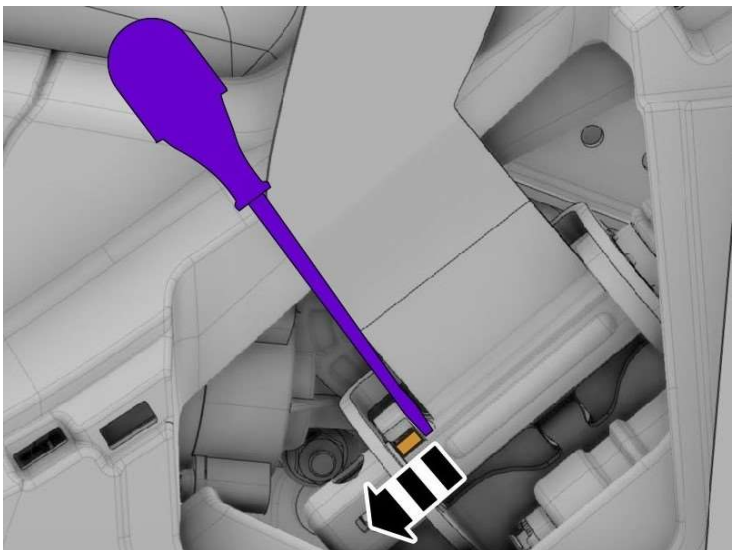


Figure 7

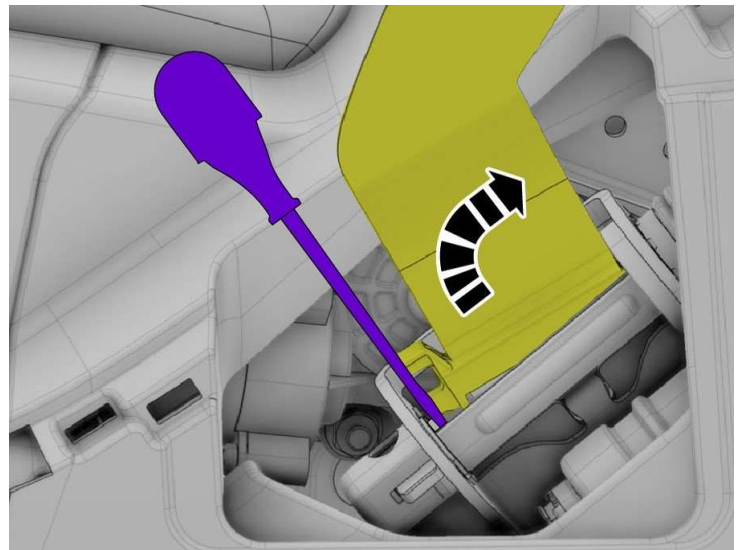
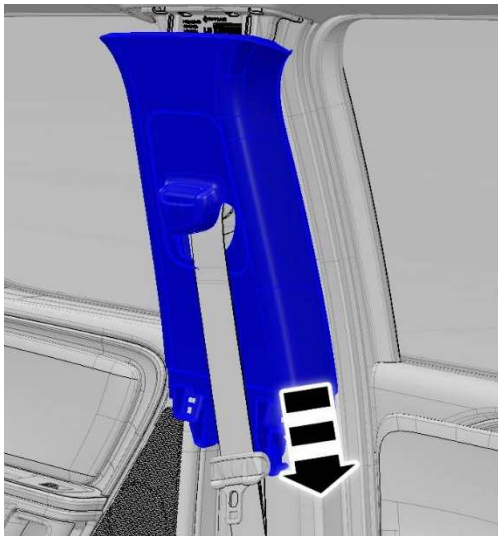


Figure 8

1. Using a flat blade screwdriver, slide the safety belt retaining clip in the direction shown. (Figure 7)
2. While holding the retaining clip, lift the safety belt out of the anchor as shown.(Figure 8)

Driver side of vehicle is shown. Perform steps to both drivers and passenger sides.

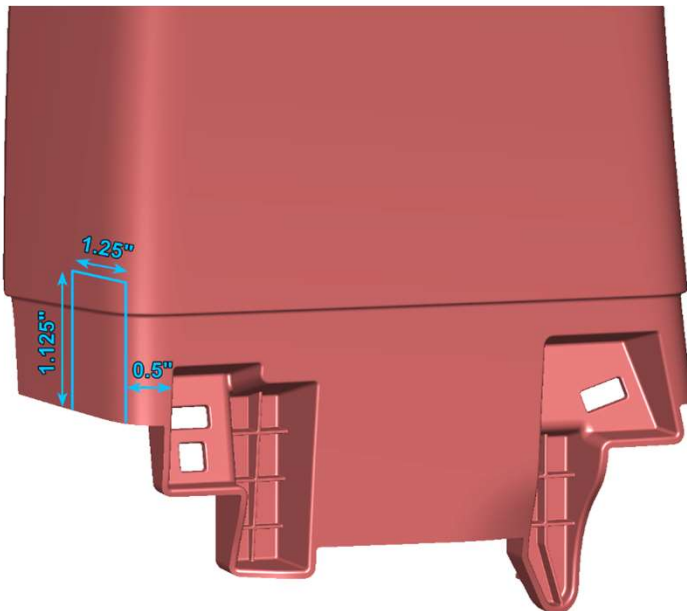


**Figure 9**



**Figure 10**

1. Remove the upper B-Pillar trim from the safety belt. (Figure 9)
2. Remove the 2 bolts securing the safety belt guide.
3. Reinstall the safety belt guide with the B-Pillar Bracket between the B-Pillar and the guide. (Figure 10)



**Figure 11**



**Figure 12**

1. Trim the upper B-Pillar trim as shown. (Figure 11)
2. Reinstall the upper and lower B-Pillar trim. (Figure 12)
3. Reinstall the front and rear sill plates, safety belt, and safety belt trim.

Driver side of vehicle is shown. Perform steps to both drivers and passenger sides.

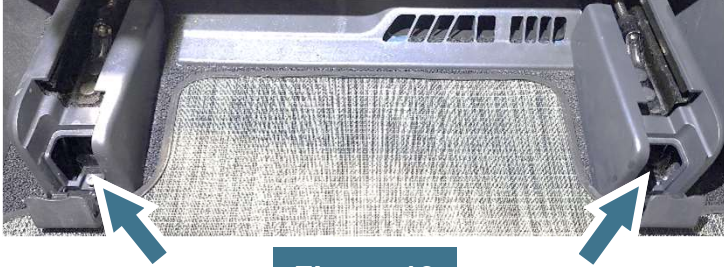


Figure 13

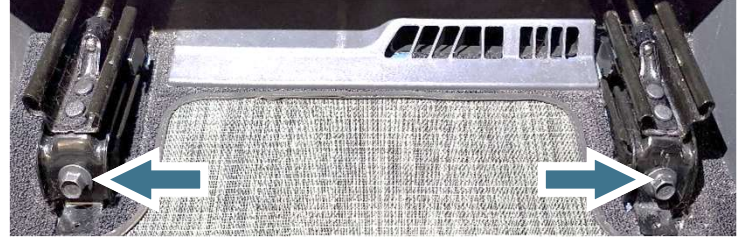


Figure 14

1. Remove the seat adjustment slide trim by removing the screws securing them, then unclip them from the rails. (Figure 13)
2. Remove the bolts securing the seat rails to the floor. (Figure 14)



Figure 15

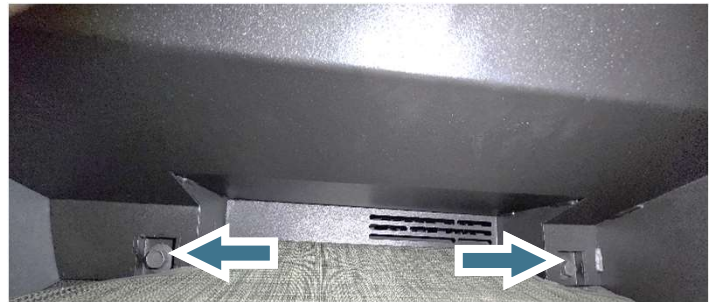
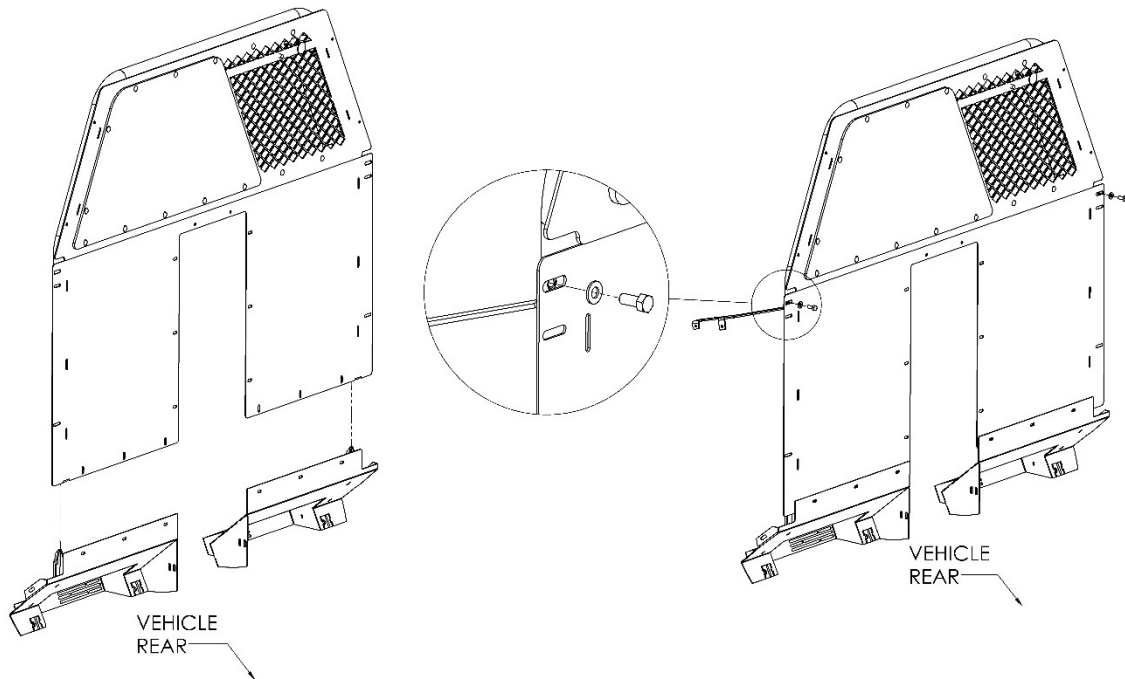
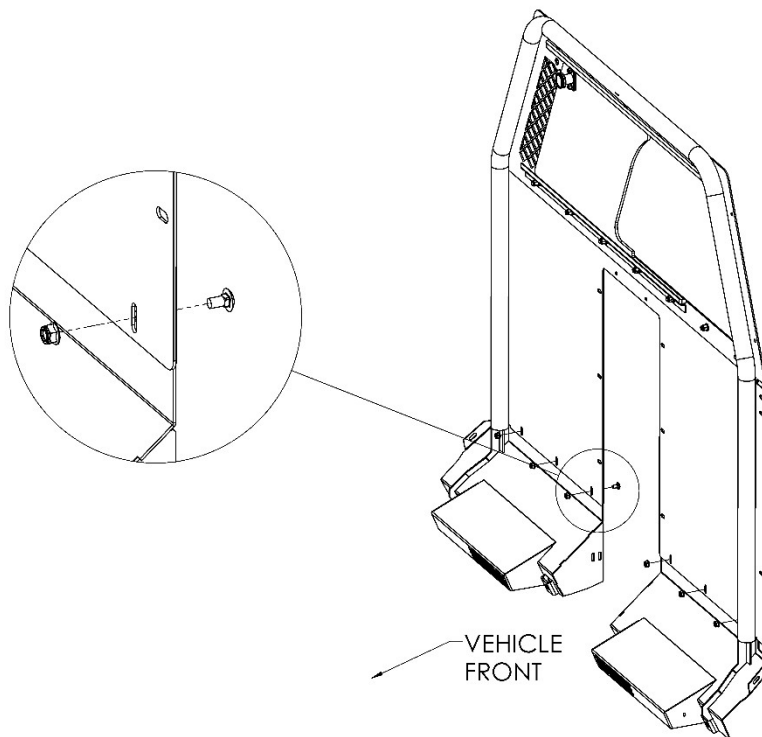


Figure 16

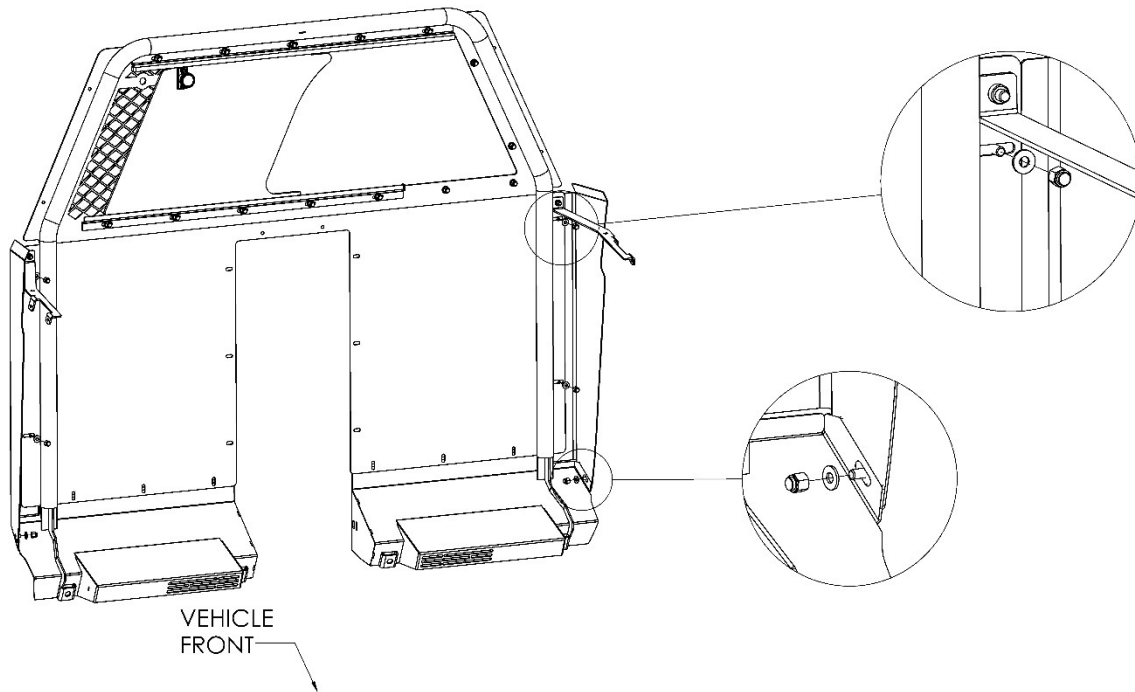
1. Place the Footwell as shown over the seat rail. Secure with OEM bolts previously removed. (Figures 15 and 16)



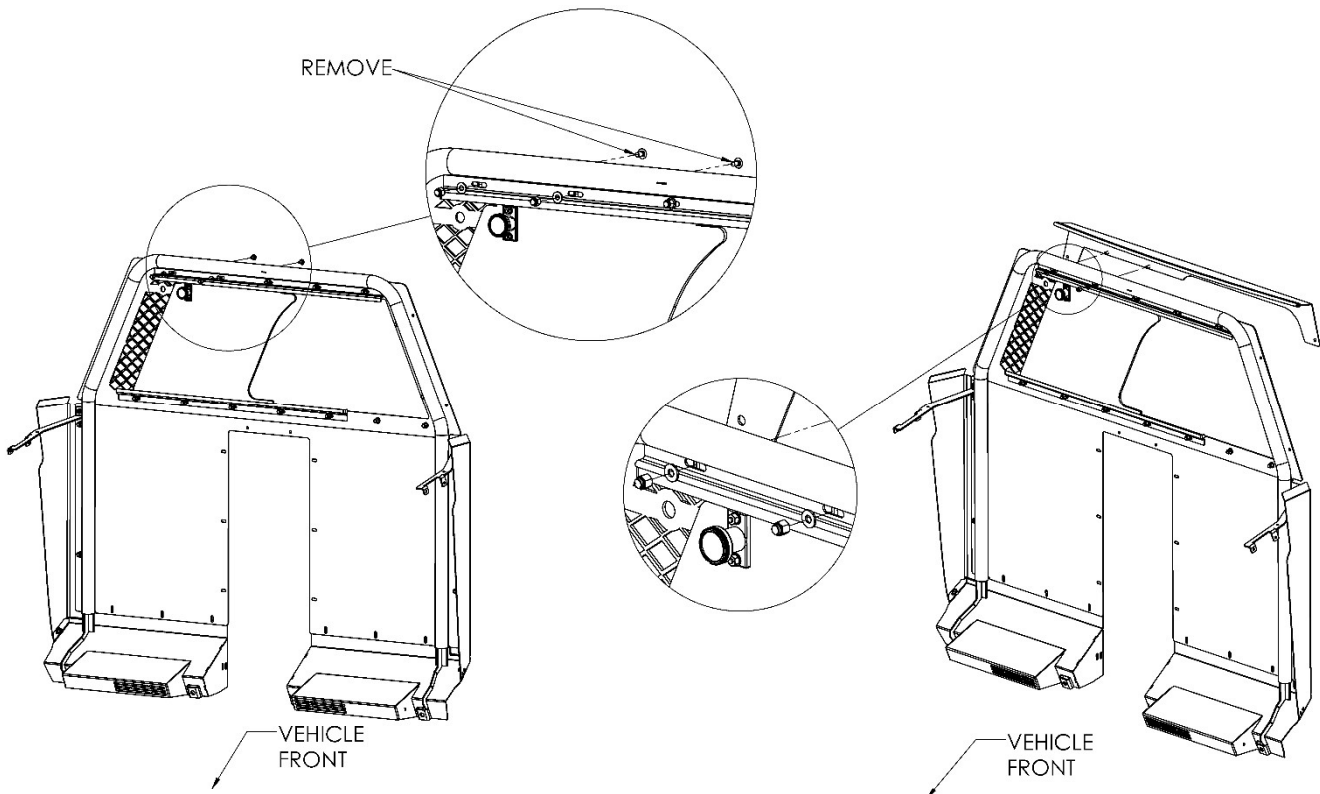
1. Place the Partition Barrier into vehicle on top of Footwells as shown. Loosely install a 5/16"-18 X .750" Hex Head Bolt with a 5/16" Flat Washer from Hardware Bag 7120-1318 on each side of the Partition into the B-Pillar Brackets.



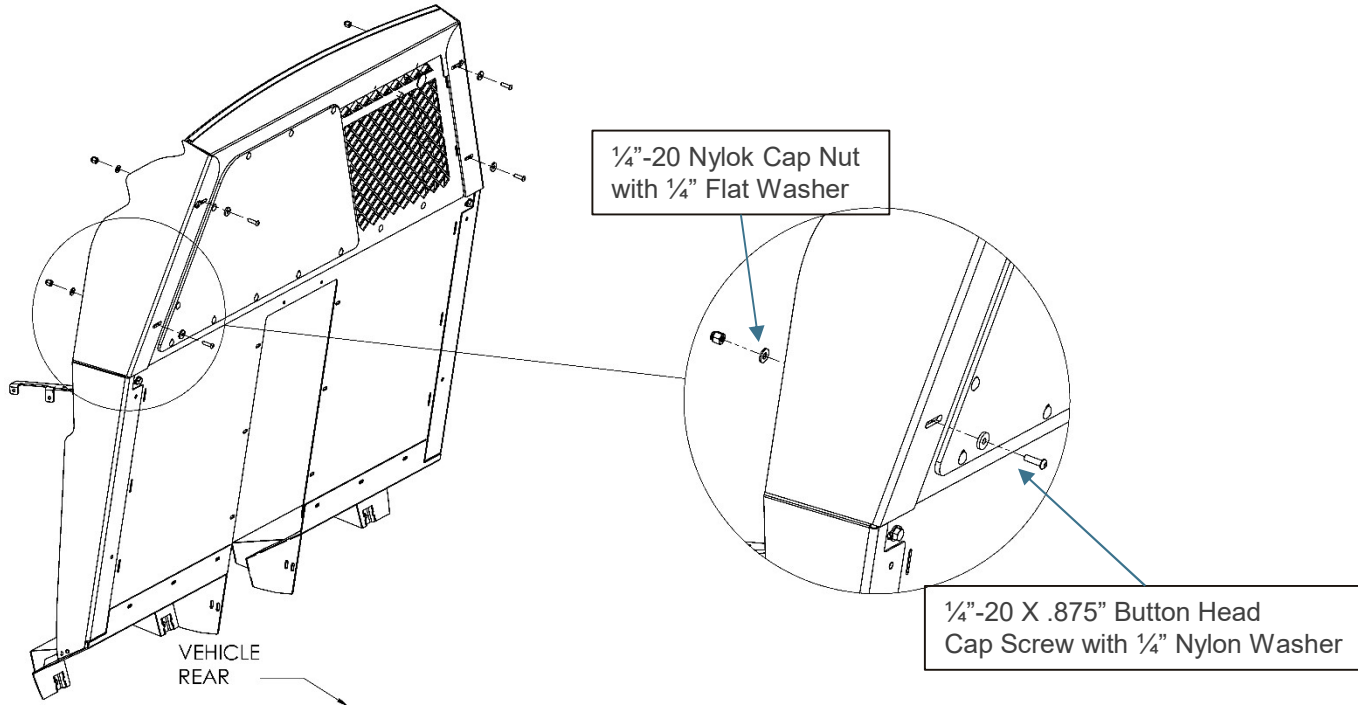
1. Working through the Center Filler Opening, loosely install (3) 1/4"-20 X .500" Carriage Bolts with 1/4"-20 Nylok flange Nuts from Hardware Bag 7120-1318 on each side through the Partition and Footwells.
2. Center the Barrier and tighten the (6) Carriage Bolts at the Footwells and (2) Hex Head Bolts at the B-Pillar Brackets.



1. Install the Lower Wings using (3) ¼"-20 Nylok Cap Nuts with ¼" Flat Washers from Hardware Bag 7120-1318 on each side. Slide the Wings outward toward B-Pillars to achieve best fit then tighten nuts.

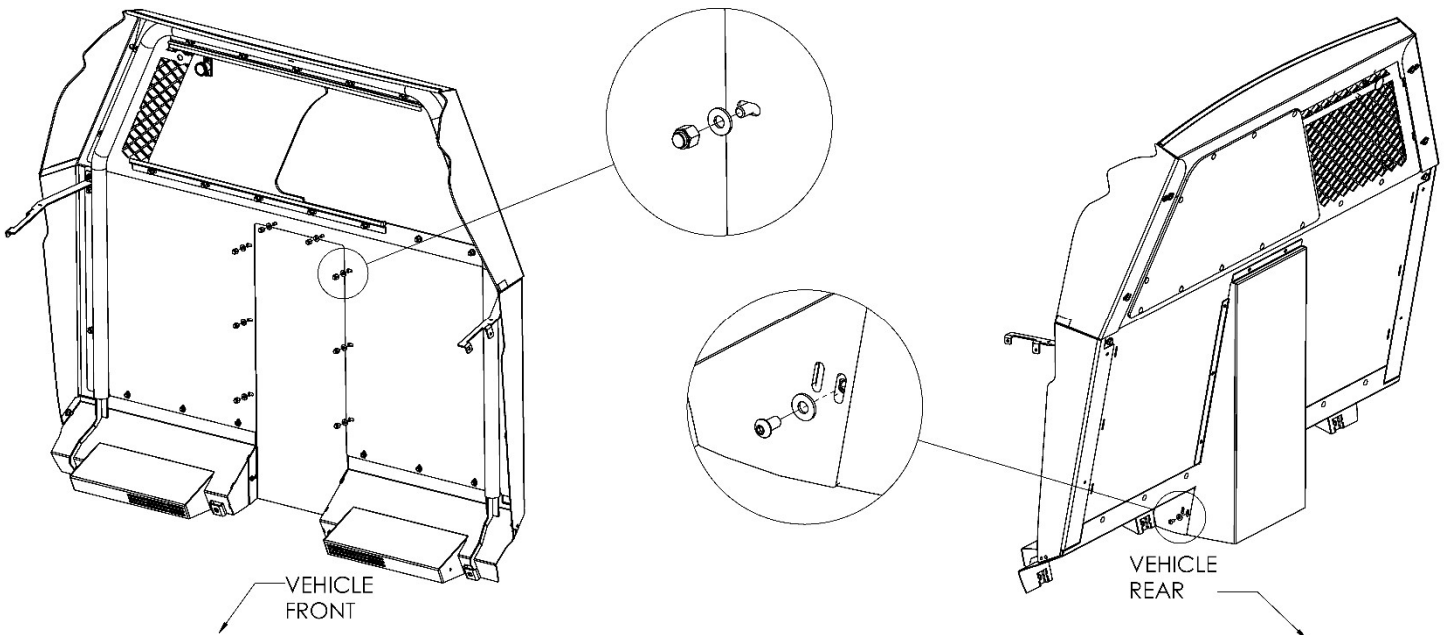


1. Remove the (2) fasteners shown. Do not discard the nuts and washers.
2. Install Upper Filler Panel using the previously removed nuts and washers. Do not tighten.



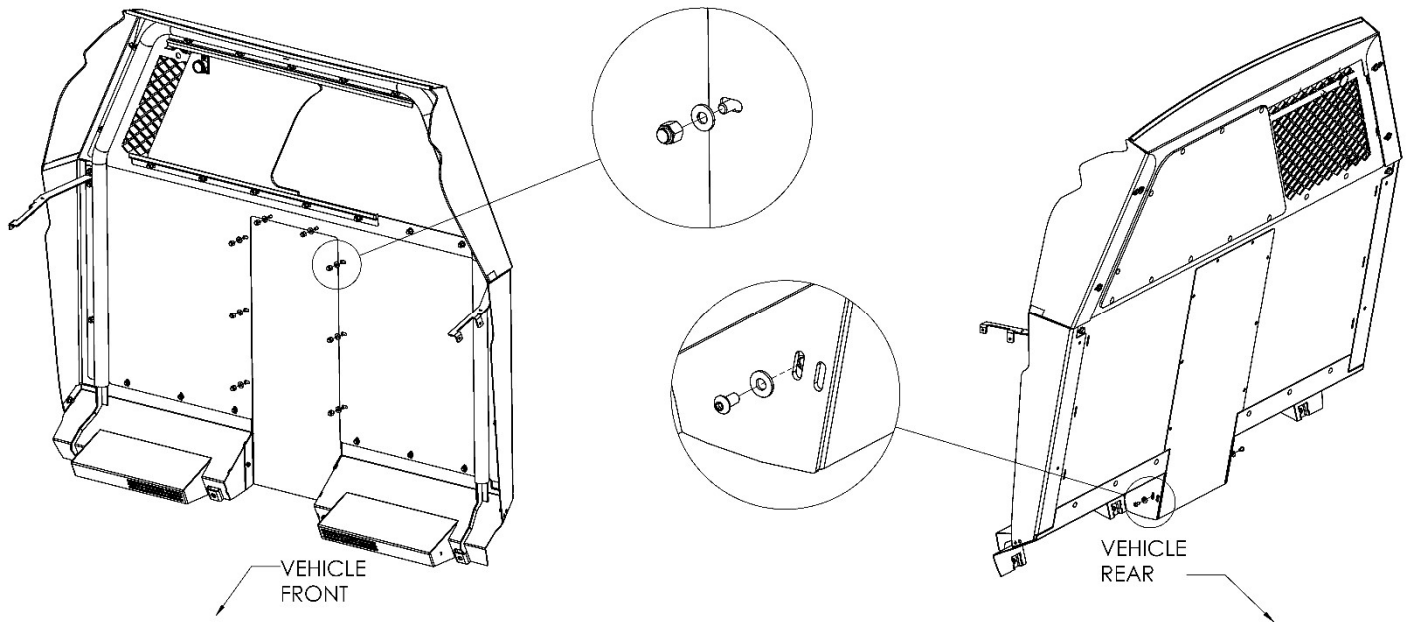
1. Install the Poly Wings using (2) 1/4"-20 X .875" Button Head Cap Screws with 1/4" Nylon Washer and 1/4"-20 Nylok Cap Nuts with 1/4" Flat Washers from Hardware Bag 7120-1318 on each side.
2. Slide the Wings outward towards the B-pillars to achieve the best fit then tighten the hardware for the Wings and the Upper Filler.

## 7170-1264-01



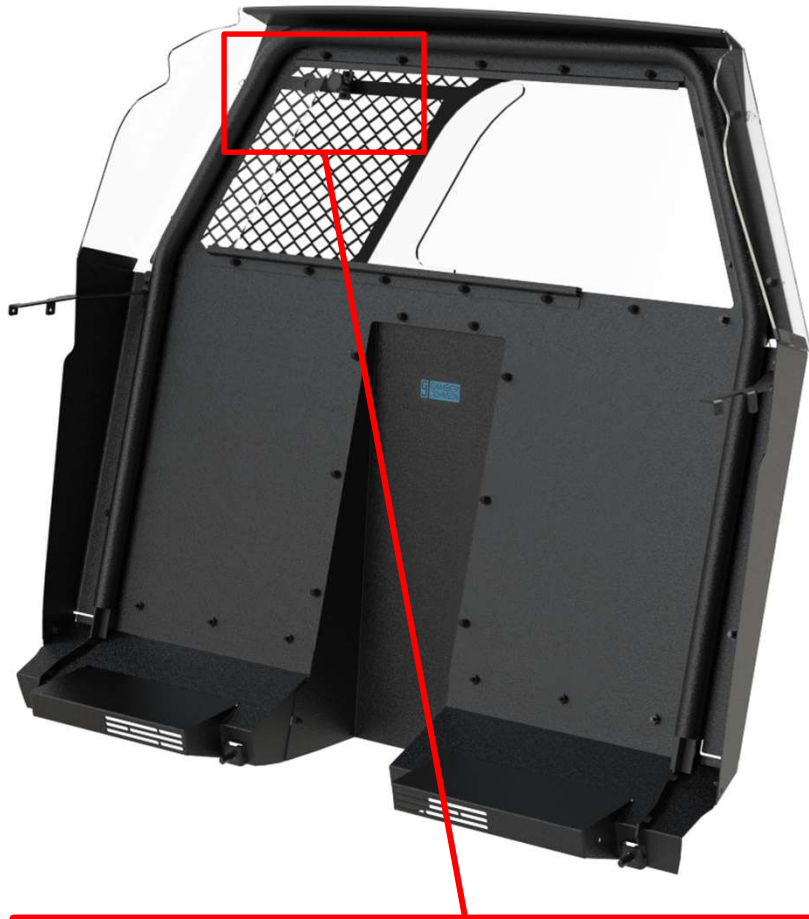
1. Install the Center Filler Panel using (8) 1/4"-20 Nylok Cap Nuts with 1/4" Flat washers.
2. Install (2) 1/4"-20 X .500" Button Head Cap Screws with 1/4" Flat Washers through the Footwells into the Center Filler Panel.
3. Tighten all hardware.

## 7170-1264-02



1. Install the Center Filler Panel using (8) 1/4"-20 Nylok Cap Nuts with 1/4" Flat washers.
2. Install (2) 1/4"-20 X .500" Button Head Cap Screws with 1/4" Flat Washers through the Footwells into the Center Filler Panel.
3. Tighten all hardware

**INSTALLTION IS COMPLETE**



The partition's polycarbonate window can be opened by simply pulling on the handle and sliding to open/close. The handle detent will automatically lock in place when the window is closed to prevent the window from sliding open on its own.



**SCAN HERE TO VIEW WARRANTY INFORMATION**

[www.gamberjohnson.com/product-services/warranty-information](http://www.gamberjohnson.com/product-services/warranty-information)

#### **Product Mounting Disclaimer**

Gamber-Johnson is not liable under any theory of contract or tort law for any loss, damage, personal injury, special, incidental or consequential damages for personal injury or other damage of any nature arising directly or indirectly as a result of the improper installation or use of its products in vehicle or any other application. In order to safely install and use Gamber-Johnson products full consideration of vehicle occupants, vehicle systems (i.e., the location of fuel lines, brake lines, electrical, drive train or other systems), air-bags and other safety equipment is required. Gamber-Johnson specifically disclaims any responsibility for the improper use or installation of its products not consistent with original vehicle manufactures specifications and recommendations, Gamber-Johnson product instruction sheets, or workmanship standards as endorsed through the Gamber-Johnson Certified Installer Program.

© Copyright 2026 Gamber-Johnson, LLC

## **QUESTIONS OR NEED MORE INFORMATION?**

### **NO PROBLEM, WE'RE HERE TO HELP!**

Call us at: **+1 800.756.9198**

Email us at: [sales@gamberjohnson.com](mailto:sales@gamberjohnson.com)

Visit [www.gamberjohnson.com](http://www.gamberjohnson.com) to see our complete line of solutions and hang with us on social media at [@gamberjohnson](https://www.instagram.com/gamberjohnson)