



PRODUCT GUIDE

FORD F-150 2021+ PASSENGER PARTITION

PRODUCT NUMBER(S)

7170-1234



For more language options and/or questions, please contact a Gamber-Johnson representative at **+1 800.756.9198**

Since 1954, we have been dedicated to providing **RUGGED**, **RELIABLE**, and **RESPONSIVE** solutions that empower professionals in the field.

Thank you for choosing Gamber-Johnson.

Welcome to your new **Gamber-Johnson Passenger Partition**—engineered for **mission-critical reliability** in the toughest environments. At Gamber-Johnson, we understand that your technology is more than a tool; it's a lifeline. That's why our rugged mounting solutions and docking stations are designed to integrate seamlessly with your equipment, ensuring **secure connections** and **reliable performance** wherever your job takes you.

This guide will walk you through the safe and effective installation of your **Passenger Partition**.

Inside, you'll find:

- Inventory list of what's included
- Step-by-step installation instructions
- Images for easy reference
- Essential safety information to ensure proper setup and operation

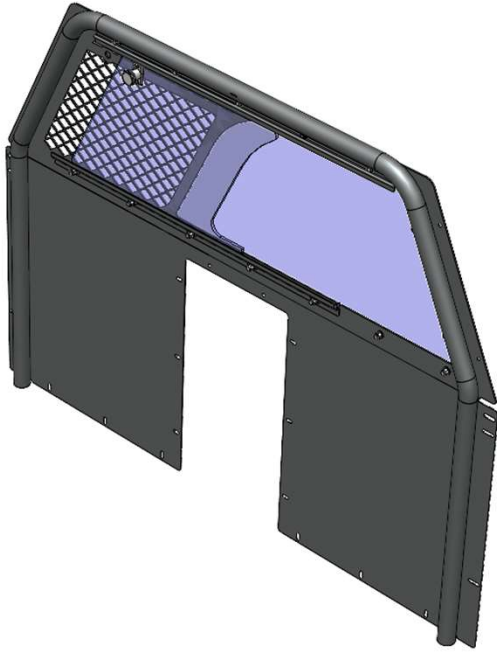
Our commitment to **quality**, **durability**, and **rugged reliability** is built into every product we make.

Important: Before you begin, please carefully review all safety instructions provided in this guide. For vehicle applications, we recommend professional installation by qualified technicians with experience in automotive electrical systems and aftermarket vehicle equipment installation.

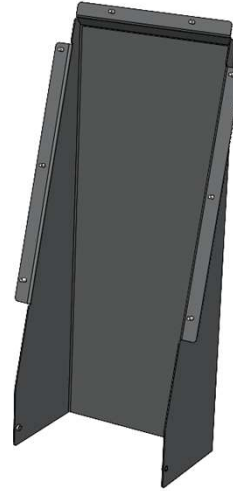
For additional product information, installation tips, or support, please contact your Gamber-Johnson representative at **+1 800.756.9198** or visit **www.gamberjohnson.com**.

PAGE	SECTION
1	Cover Page
2	Introduction
3	Table Of Contents
4-8	Components Included
9	Feature Identification
10	Safety Information
11-15	Installation
16	Use
17	Warranty

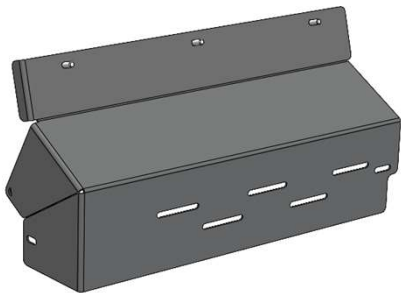
COMPONENTS INCLUDED



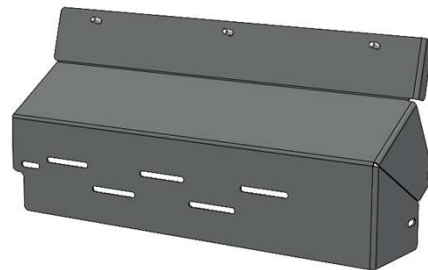
QTY	P/N	DESCRIPTION
1	7160-1760-01	PARTITION BARRIER



QTY	P/N	DESCRIPTION
1	22379	CENTER EXTENSION

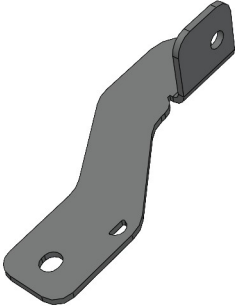


QTY	P/N	DESCRIPTION
1	22381	DS FOOT WELL



QTY	P/N	DESCRIPTION
1	22380	PS FOOT WELL

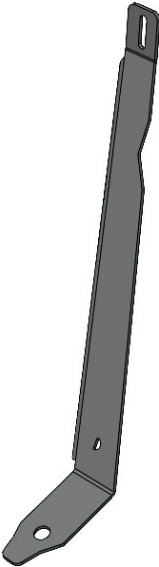
COMPONENTS INCLUDED



QTY	P/N	DESCRIPTION
1	22354	DS OUTER BRACKET



QTY	P/N	DESCRIPTION
1	22355	PS OUTER BRACKET

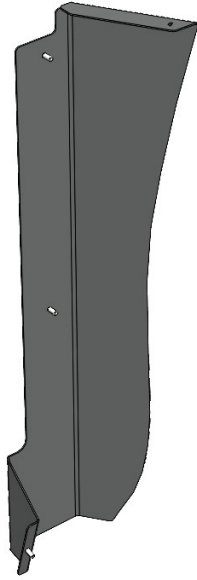


QTY	P/N	DESCRIPTION
1	22591	DS INNER BRACKET

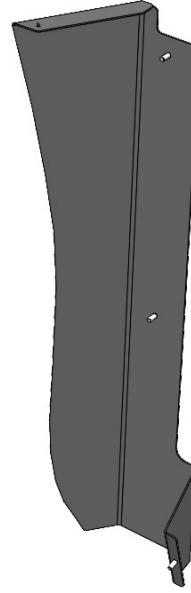


QTY	P/N	DESCRIPTION
1	22590	PS INNER BRACKET

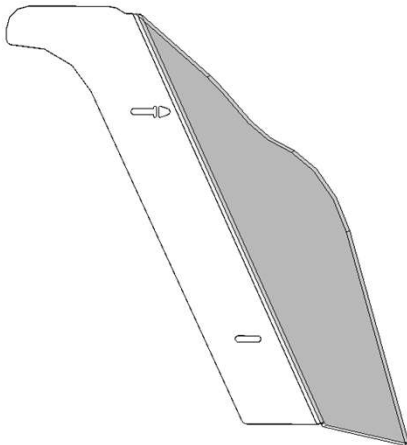
COMPONENTS INCLUDED



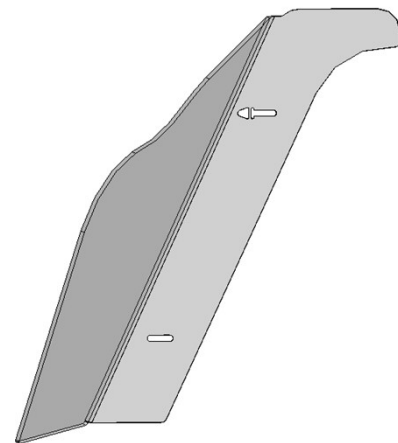
QTY	P/N	DESCRIPTION
1	22384	DS LOWER WING



QTY	P/N	DESCRIPTION
1	22382	PS LOWER WING



QTY	P/N	DESCRIPTION
1	22386	DS POLY WING

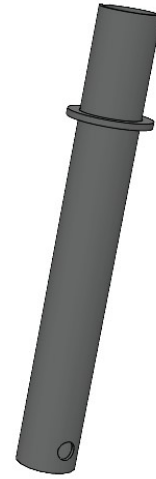


QTY	P/N	DESCRIPTION
1	22385	PS POLY WING

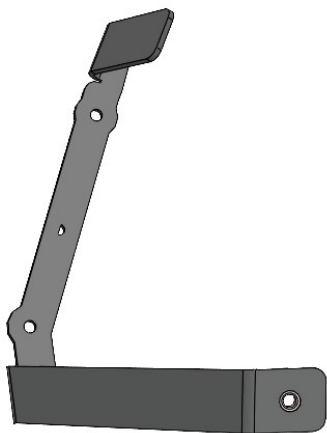
COMPONENTS INCLUDED



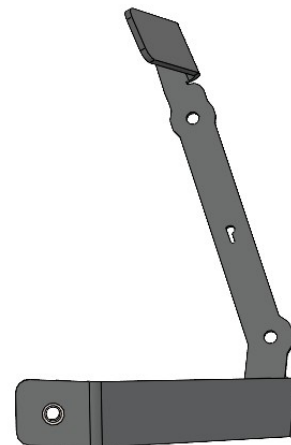
QTY	P/N	DESCRIPTION
2	22370	COVER PLATE



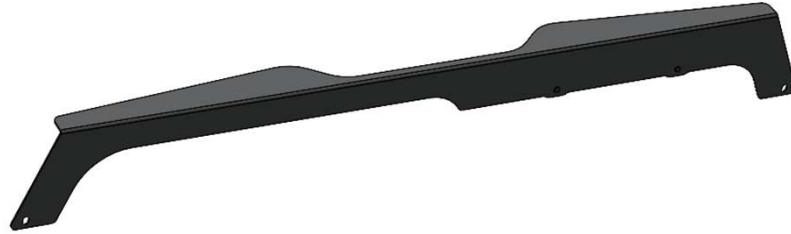
QTY	P/N	DESCRIPTION
2	22331	LOWER TUBE



QTY	P/N	DESCRIPTION
1	22589	DS B-PILLAR BRACKET



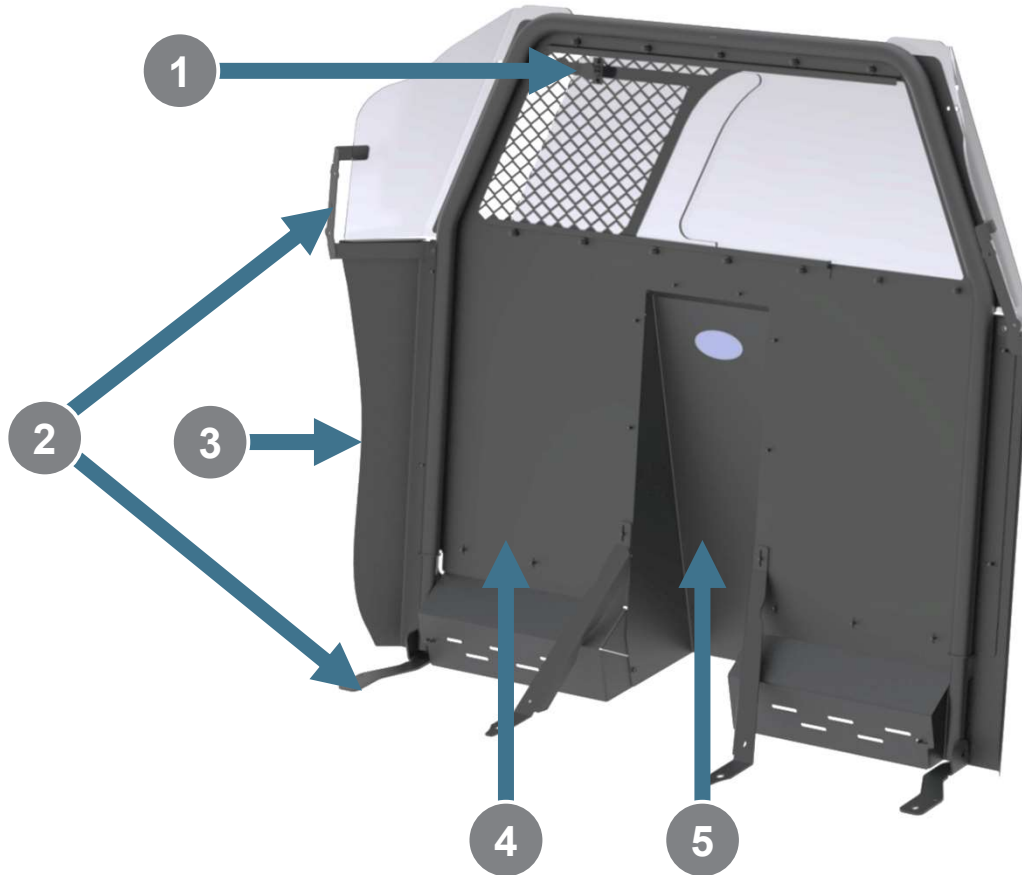
QTY	P/N	DESCRIPTION
1	22588	PS B-PILLAR BRACKET



QTY	P/N	DESCRIPTION
1	30205	TOP FILLER

QTY	PartNo	DESCRIPTION
4	3130-0052	3/8 WASHER FLAT SAE FS-014
2	11868-0002	3/8-16 x 2.000 HHC S FS-014, FULL THD
2	1503-3800	3/8-16 NUT NYLOK FS-014
2	1503-3100	5/16-18 NUT NYLOK FS-014
4	10907	5/16 WASHER FLAT SAE FS-014
2	11544-0001	5/16-18 x 1.000 HHC S FS-014, GR 8
24	18162-0002	1/4-20 NUT NYLOK CAP FS-014
4	12305-0001	1/4-20 x .500 SBHS-NP FS-014
4	10206-0004	1/4 FLAT WASHER -NYLON 0.26 X 0.75 X 0.125
4	10215-0003	1/4-20 x .875 SBHS FS-014
22	3130-0027	1/4 WASHER FLAT SAE FS-014

QTY	P/N	DESCRIPTION
1	7120-1021	Hardware Bag



	DESCRIPTION
1	Latching slide open polycarbonate window
2	Simple no drill or permanent modification installation
3	Contoured and adjustable to vehicle trim
4	Partition allows for full front seat travel
5	Recessed area for addition of optional gun mounts

WARNING

You must read and follow all of these installation instructions. Failure to follow the installation instructions may result in serious bodily injury or death

DO NOT install or use this assembly in the area in which the airbag on the vehicle may be deployed. The installer and user of this assembly are responsible for installing and using this assembly outside the area in which an airbag may be deployed. (See Product Mounting Disclaimer Below)

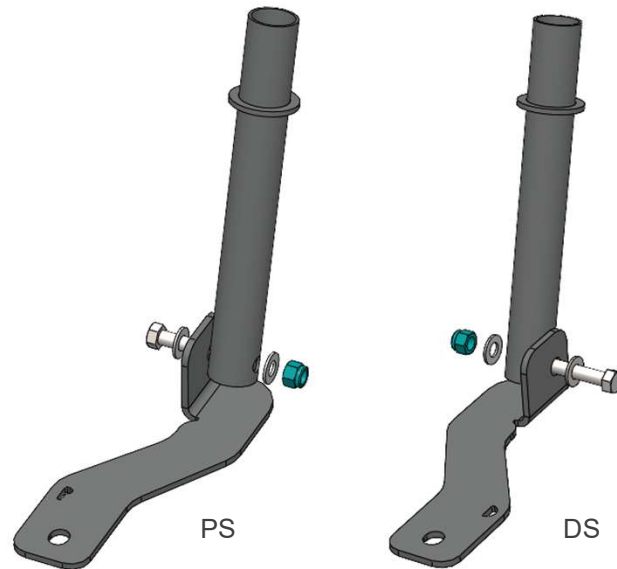
If the installation of the equipment requires that the equipment (or any additional equipment that is added to the installation) be placed in front of an airbag, the airbag should be deactivated. In order to secure permission for deactivating the airbag you must contact the National Highway Traffic Safety Administration at 1-800-424-9393 to gain permission to do so. If you have any questions or need assistance, call Gamber-Johnson at **+1 800-456-6868**.

High speed vehicle turns may cause parts of the assembly to swivel, interfering with the driver or other equipment.

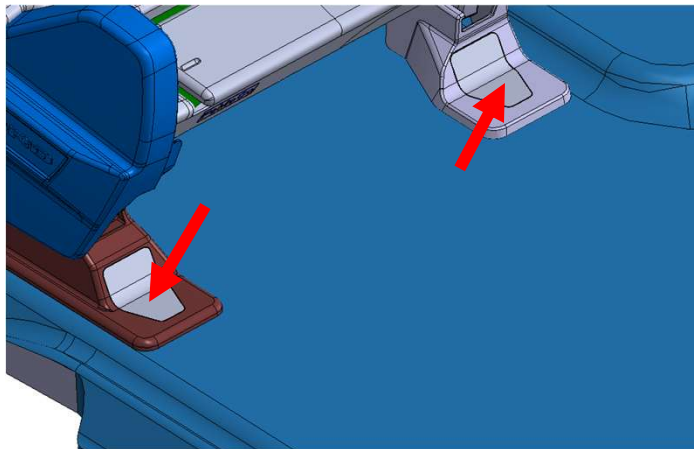
Keep these installation instructions with the product and readily available in the vehicle for future reference of other users of the product.

Additional copies of the installation instruction can be obtained from Gamber-Johnson. If you need assistance or have any questions, go to www.gamberjohnson.com or call Gamber-Johnson at **+1 800-456-6868**.

DO NOT remove any warning labels from the product under any circumstances.

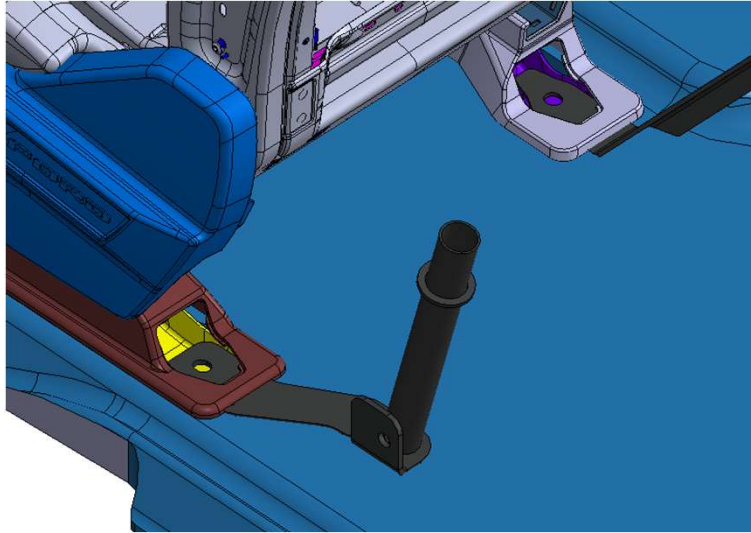


1. For both DS and PS OUTER BRACKETS, marked with “D” and “P”, install the LOWER TUBES using the provided 3/8” x 2” fastener, 3/8” washers and nylok nuts, as shown above.



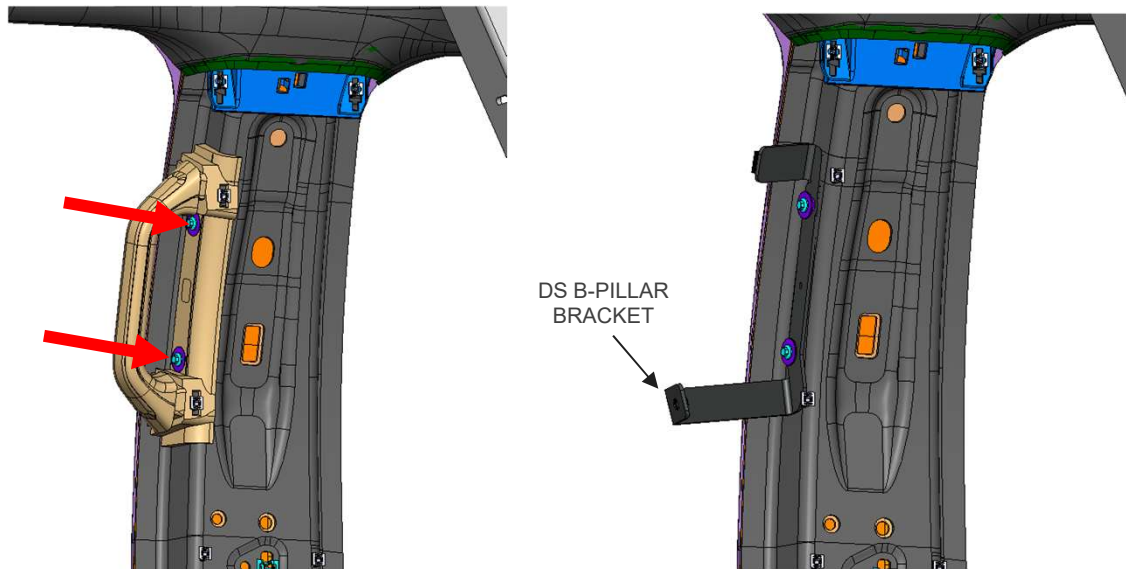
Front driver side, rear seat bolts shown

1. Remove the covers to access the rear seat bolts on both the driver side and passenger side front seats.
2. Completely remove the OEM seat rail fasteners.



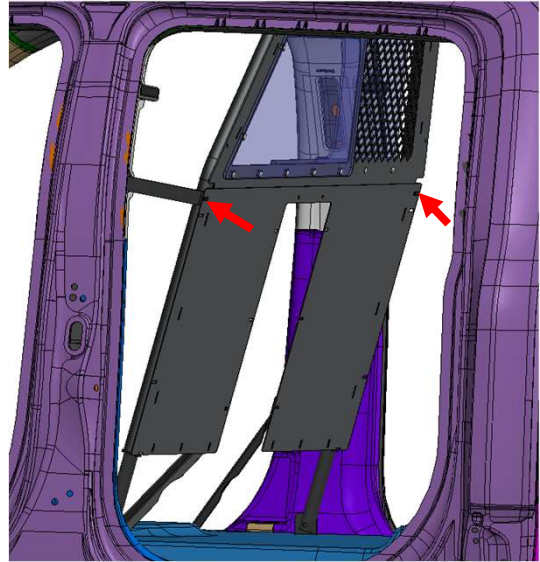
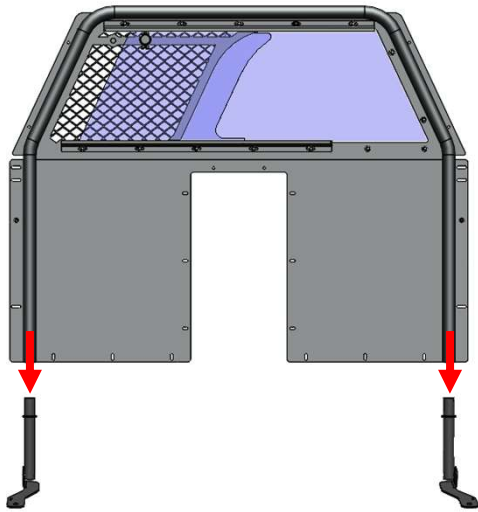
Driver side, rear seat bolts shown.
Repeat on passenger side.

1. For each bracket, compress the vinyl flooring and slide the bracket underneath the seat rail trim on top of the seat rail.
2. Re-install the OEM seat rail fastener and torque to factory specification.
3. Re-install the OEM seat bolt trim covers.

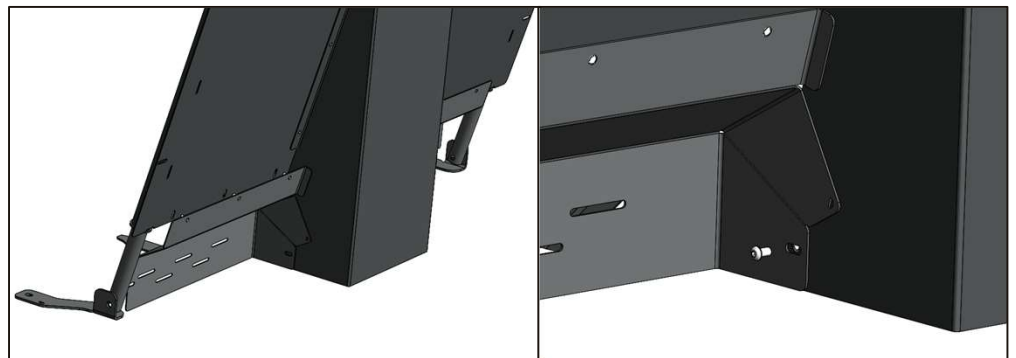


Driver side, B-pillar shown. Repeat on passenger side.

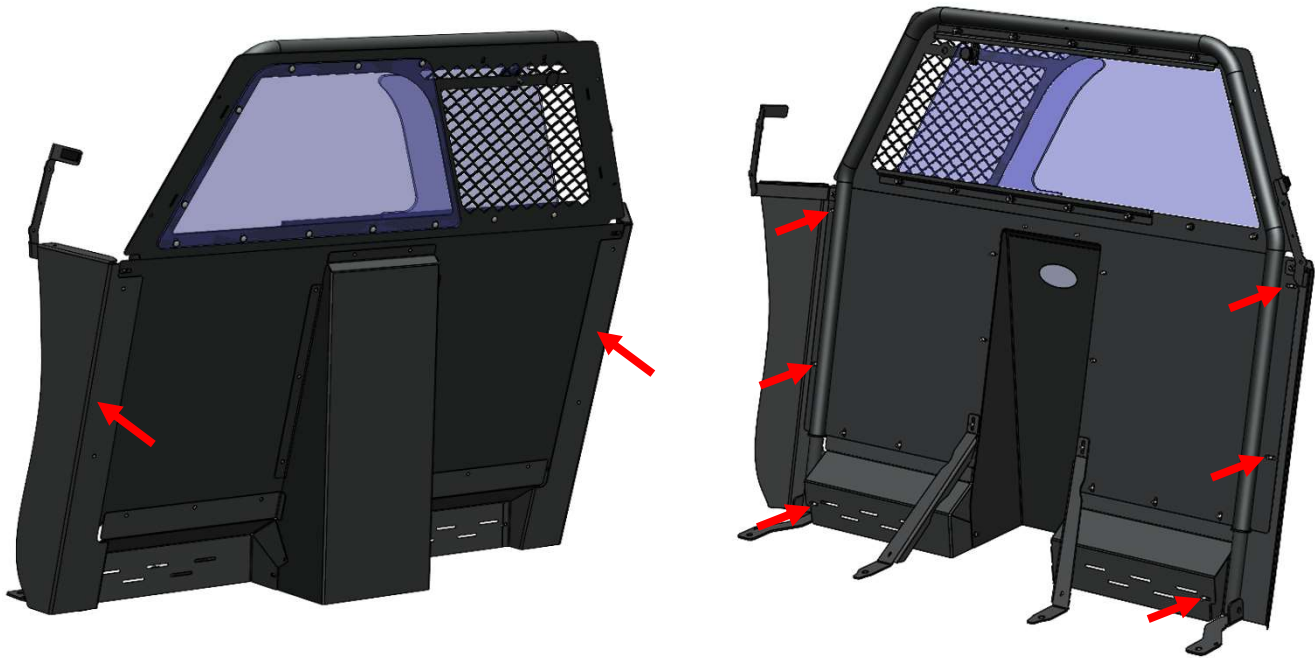
1. Remove the top seat belt anchor from the B-pillar on both the driver and passenger side B-pillars.
2. Free the top of the lower B-pillar trim from the upper B-pillar trim and completely remove the upper trim to gain access to the grab handle.
3. Remove the grab handle and replace with the DS and PS B-PILLAR BRACKETS using the OEM fasteners.
4. Replace all OEM trim and re-install the upper seat belt anchor, torquing to OEM specifications.



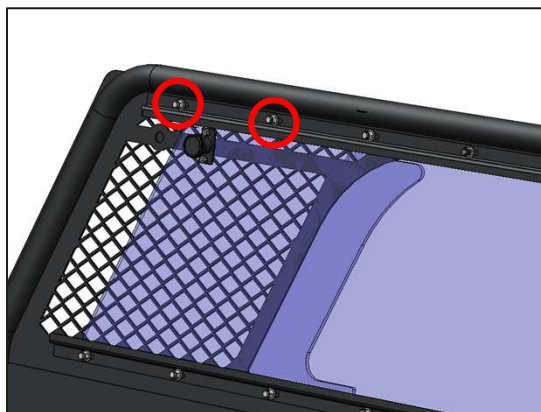
1. Install the PARTITION BARRIER onto the LOWER TUBES on each side.
2. Rotate the barrier towards the installed B-PILLAR BRACKETS and loosely fasten using the provided 5/16" x 1" bolts and 5/16" washer. LEAVE THESE FASTENERS LOOSE AT THIS STEP.



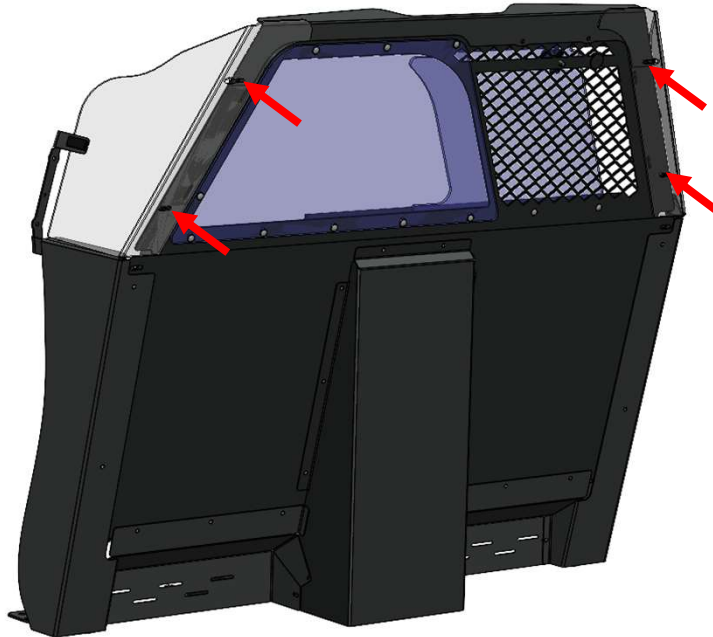
1. From the rear seats, install the CENTER EXTENSION and both DS and PS FOOT WELL onto the partition.
2. From the front seats, loosely fasten the three parts to the barrier using the provided 1/4"-20 nylok nuts and 1/4" washers (14 places).
3. From the rear seats, loosely fasten the FOOT WELLS to the CENTER EXTENSION with the provided 1/4" x .5" button head screws.



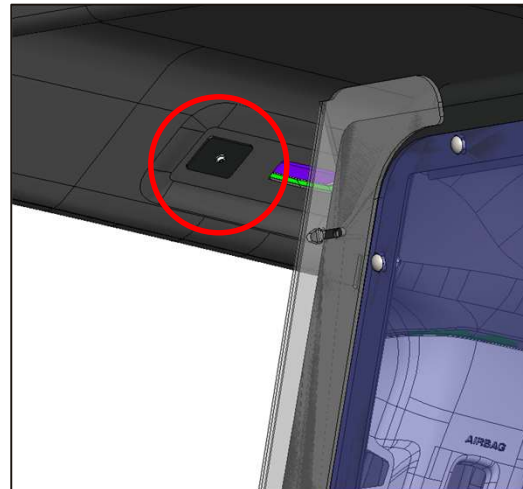
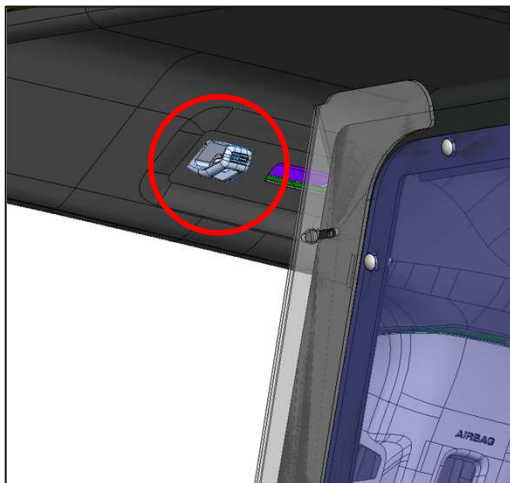
1. From the rear seats, install both DS and PS LOWER WINGS onto the partition.
2. From the front seats, loosely fasten each wing using three (3) 1/4"-20 nylok nuts and 1/4" washers.
3. Install and fasten both DS and PS POLY WINGS onto the partition using the provided 1/4" x .875" button head screws, 1/4" nylon washer (on poly side), 1/4" standard washer and 1/4"-20 nylok nuts.



1. From the front passenger side of the partition, remove the two carriage bolts shown above, saving the 1/4"-20 nylok nuts and washers for the next step.
2. From the rear seats, install the TOP FILLER onto the partition and fasten the saved nylok nuts and washers onto the studs.



1. Install and fasten both DS and PS POLY WINGS onto the partition using the provided $\frac{1}{4}$ " x .875" button head screws, $\frac{1}{4}$ " nylon washer (on poly side), $\frac{1}{4}$ " standard washer and $\frac{1}{4}$ "-20 nylok nuts.



1. On both the driver side and passenger side, remove the OEM coat hanger from the headliner.
2. Using the OEM fastener, install the COVER PLATE.

TIGHTEN ALL FASTENERS. INSTALLTION IS COMPLETE



The partition's polycarbonate window can be opened by simply pulling on the handle and sliding to open/close. The handle detent will automatically lock in place when the window is closed to prevent the window from sliding open on its own.



SCAN HERE TO VIEW WARRANTY INFORMATION

www.gamberjohnson.com/product-services/warranty-information

Product Mounting Disclaimer

Gamber-Johnson is not liable under any theory of contract or tort law for any loss, damage, personal injury, special, incidental or consequential damages for personal injury or other damage of any nature arising directly or indirectly as a result of the improper installation or use of its products in vehicle or any other application. In order to safely install and use Gamber-Johnson products full consideration of vehicle occupants, vehicle systems (i.e., the location of fuel lines, brake lines, electrical, drive train or other systems), air-bags and other safety equipment is required. Gamber-Johnson specifically disclaims any responsibility for the improper use or installation of its products not consistent with original vehicle manufactures specifications and recommendations, Gamber-Johnson product instruction sheets, or workmanship standards as endorsed through the Gamber-Johnson Certified Installer Program.

© Copyright 2026 Gamber-Johnson, LLC

QUESTIONS OR NEED MORE INFORMATION?

NO PROBLEM, WE'RE HERE TO HELP!

Call us at: **+1 800.756.9198**

Email us at: sales@gamberjohnson.com

Visit www.gamberjohnson.com to see our complete line of solutions and hang with us on social media at [@gamberjohnson](https://www.instagram.com/gamberjohnson)