

PRODUCT GUIDE

LED LIGHTING KITS

PRODUCT NUMBER(S)

7160-0962 - Console Box LED Lighting Kit

7160-0978 - Workstation LED Lighting Kit



7160-0962



7160-0978

For more language options and/or questions, please contact a Gamber-Johnson representative at **+1 800.756.9198**

Since 1954, we have been dedicated to providing **RUGGED**, **RELIABLE**, and **RESPONSIVE** solutions that empower professionals in the field.

Thank you for choosing Gamber-Johnson.

Welcome to your new **Gamber-Johnson Lighting Kit**—engineered for **mission-critical reliability** in the toughest environments. At Gamber-Johnson, we understand that your technology is more than a tool; it's a lifeline. That's why our rugged mounting solutions and docking stations are designed to integrate seamlessly with your equipment, ensuring **secure connections** and **reliable performance** wherever your job takes you.

This guide will walk you through the safe and effective installation of your **Lighting Kit**.

Inside, you'll find:

- Inventory list of what's included
- Step-by-step installation instructions
- Images for easy reference
- Essential safety information to ensure proper setup and operation

Our commitment to **quality**, **durability**, and **rugged reliability** is built into every product we make.

Important: Before you begin, please carefully review all safety instructions provided in this guide. For vehicle applications, we recommend professional installation by qualified technicians with experience in automotive electrical systems and aftermarket vehicle equipment installation.

For additional product information, installation tips, or support, please contact your Gamber-Johnson representative at **+1 800.756.9198** or visit **www.gamberjohnson.com**.

PAGE	SECTION
1	Cover Page
2	Introduction
3	Table Of Contents
4-5	Components Included
6	Safety Information
7-10	Installation
11	Warranty

PRODUCT NUMBER

7160-0962



QTY	P/N	DESCRIPTION
1	17163	4" LED Light - Red And White

QTY	P/N	DESCRIPTION
1	17120	Top Plate - LED Light Bracket



QTY	P/N	DESCRIPTION
1	7120-0778	Hardware Bag

PRODUCT NUMBER

7160-0978



QTY	P/N	DESCRIPTION
1	17163	4" LED Light - Red And White



QTY	P/N	DESCRIPTION
1	7120-0786	Hardware Bag

WARNING

You must read and follow all of these installation instructions. Failure to follow the installation instructions may result in serious bodily injury or death

DO NOT install or use this assembly in the area in which the airbag on the vehicle may be deployed. The installer and user of this assembly are responsible for installing and using this assembly outside the area in which an airbag may be deployed. (See Product Mounting Disclaimer Below)

If the installation of the equipment requires that the equipment (or any additional equipment that is added to the installation) be placed in front of an airbag, the airbag should be deactivated. In order to secure permission for deactivating the airbag you must contact the National Highway Traffic Safety Administration at 1-800-424-9393 to gain permission to do so. If you have any questions or need assistance, call Gamber-Johnson at **+1 800-456-6868**.

High speed vehicle turns may cause parts of the assembly to swivel, interfering with the driver or other equipment.

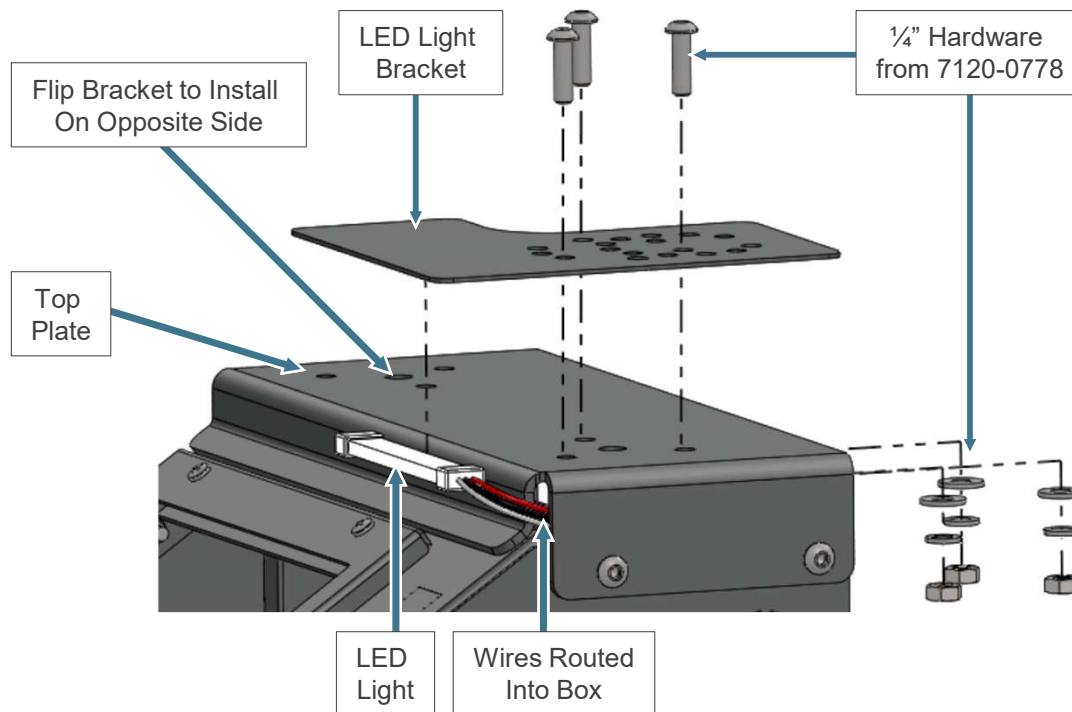
Keep these installation instructions with the product and readily available in the vehicle for future reference of other users of the product.

Additional copies of the installation instruction can be obtained from Gamber-Johnson. If you need assistance or have any questions, go to www.gamberjohnson.com or call Gamber-Johnson at **+1 800-456-6868**.

DO NOT remove any warning labels from the product under any circumstances.

PRODUCT NUMBER

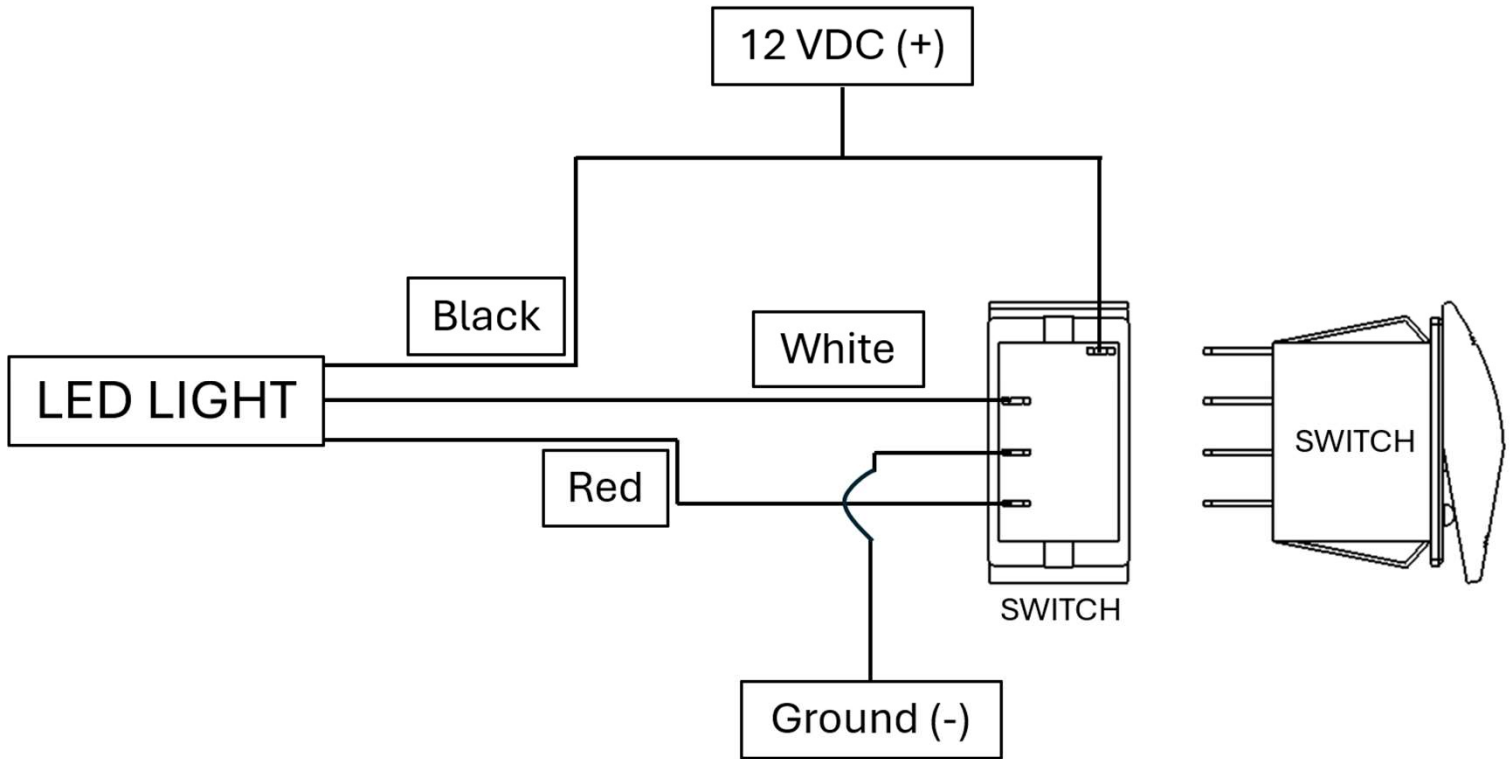
7160-0962



1. Install the LED light bracket onto the console box top plate. The bracket can be installed by itself using the 1/4"-20 hardware included in Hardware Bag 7120-0778 or underneath a motion attachment. Note that the bracket can be flipped over to be installed on either the driver or passenger side of the console box top plate. The bracket can also be shifted forward or backward 1" to provide more or less overhang. Pushing the bracket back farther may interfere with top plate edge trim.
2. Insert the LED light into the LED light clip. Remove the adhesive liner on the LED light clip and attach the clip with the light attached to the bottom side of the light bracket.
3. With the console box top plate bolts removed the wires can be routed inside the box through the bend in the top plate.
4. To wire the light and 3 position switch included in hardware bag 7120-0778, refer to the wiring diagram on the following page. Spade connectors for the switch as well as butt splice connectors are included in hardware bag 7120-0778. Wiring from the light to the switch, ground or power source is not provided.

PRODUCT NUMBER

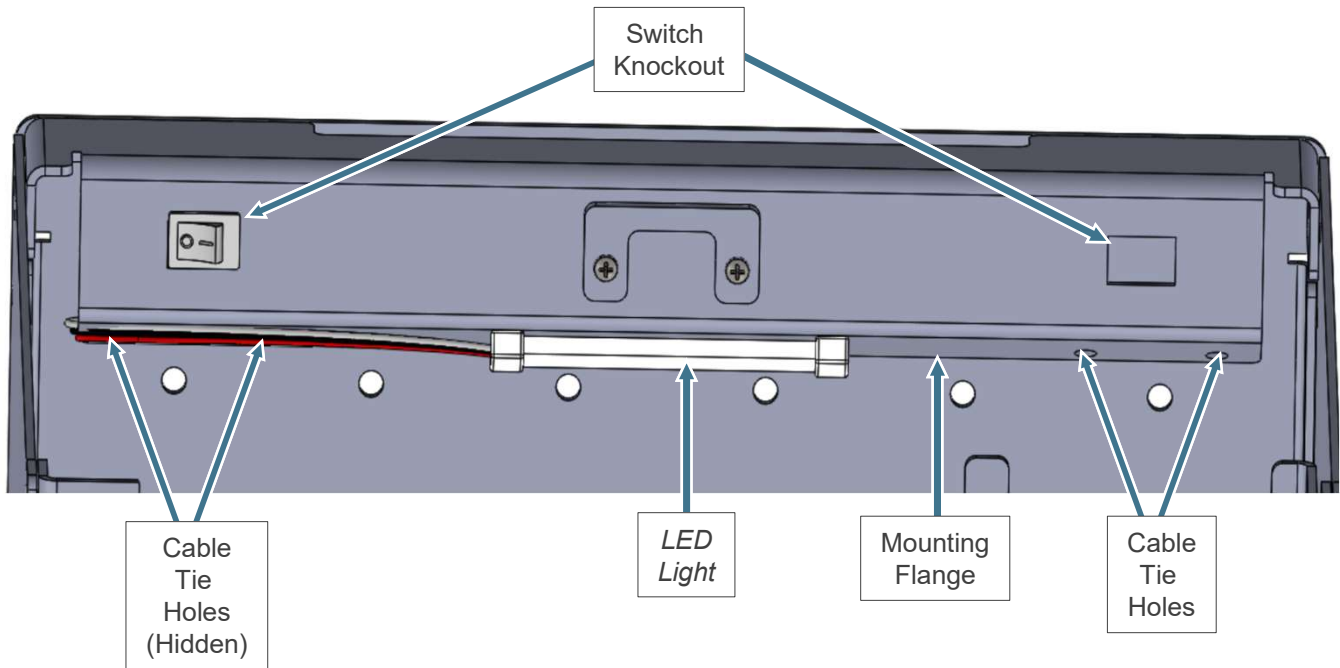
7160-0962



Console Box Light Wiring Diagram

PRODUCT NUMBER

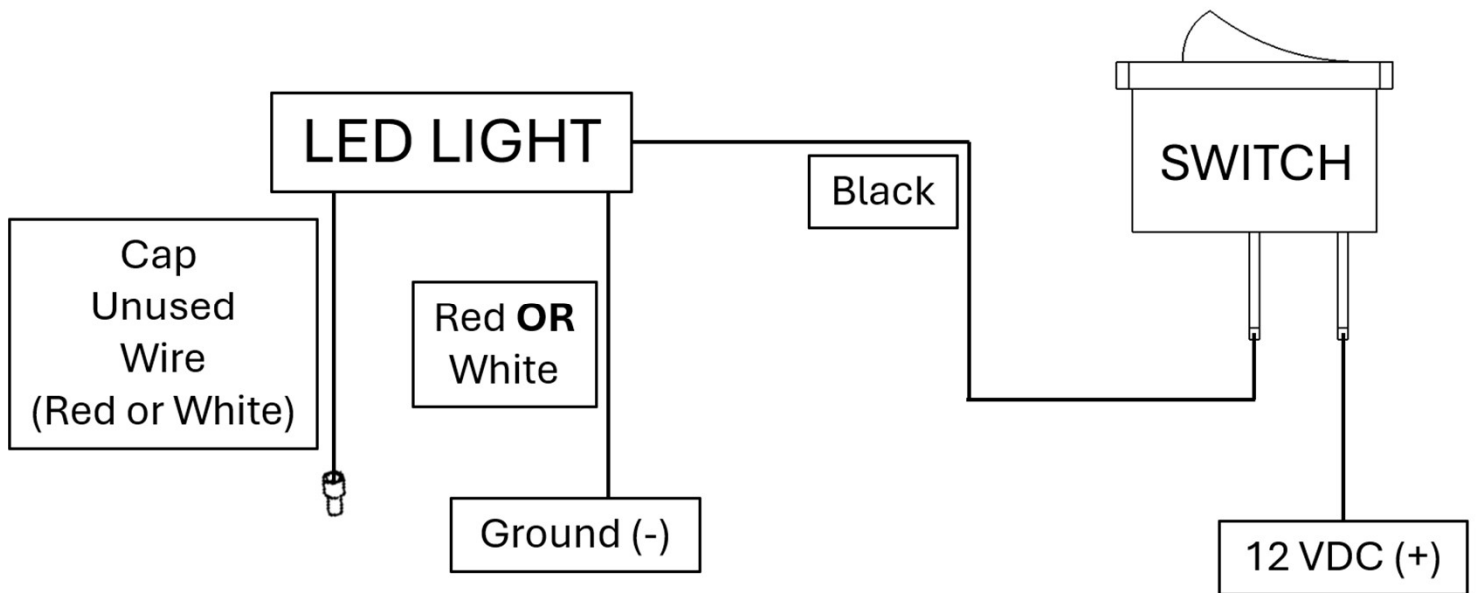
7160-0978



1. Insert the LED light into the LED light clip. Remove the adhesive liner on the LED light clip and attach the clip with the light attached to the inside the workstation on the angled mounting flange near the front.
2. The included switch can be placed in either rectangular knockout just above the light's location.
NOTE: Run the wires through the knockout to the switch and test the circuit before snapping the switch into place.
3. To wire the light and the switch included in hardware bag 7120-0786, refer to the wiring diagram on the following page. Spade connectors for the switch as well as butt splice connectors are included in Hardware Bag 7120-0786. Wiring from the light to the switch, ground or power source is not provided. The mounting flange has holes for cable ties to assist in cable management.
NOTE: Either the red or white LEDs can be used depending on which wire is connected to the switch. Cap the unused wire with the wire cap included in Hardware Baag 7120-0786.

PRODUCT NUMBER

7160-0978



Workstation Light Wiring Diagram



SCAN HERE TO VIEW WARRANTY INFORMATION

www.gamberjohnson.com/product-services/warranty-information

Product Mounting Disclaimer

Gamber-Johnson is not liable under any theory of contract or tort law for any loss, damage, personal injury, special, incidental or consequential damages for personal injury or other damage of any nature arising directly or indirectly as a result of the improper installation or use of its products in vehicle or any other application. In order to safely install and use Gamber-Johnson products full consideration of vehicle occupants, vehicle systems (i.e., the location of fuel lines, brake lines, electrical, drive train or other systems), air-bags and other safety equipment is required. Gamber-Johnson specifically disclaims any responsibility for the improper use or installation of its products not consistent with original vehicle manufactures specifications and recommendations, Gamber-Johnson product instruction sheets, or workmanship standards as endorsed through the Gamber-Johnson Certified Installer Program.

© Copyright 2026 Gamber-Johnson, LLC

QUESTIONS OR NEED MORE INFORMATION?

NO PROBLEM, WE'RE HERE TO HELP!

Call us at: **+1 800.756.9198**

Email us at: sales@gamberjohnson.com

Visit www.gamberjohnson.com to see our complete line of solutions and hang with us on social media at [@gamberjohnson](https://www.instagram.com/gamberjohnson)