



PRODUCT GUIDE

NOTEPAD™ TOUCH - UNIVERSAL TABLET CRADLE

PRODUCT NUMBER(S)

7160-1299 Series



7160-1299-00
Small Cradle



7160-1299-10
Large Cradle

For more language options and/or questions, please contact a Gamber-Johnson representative at **+1 800.756.9198**

Since 1954, we have been dedicated to providing **RUGGED**, **RELIABLE**, and **RESPONSIVE** solutions that empower professionals in the field.

Thank you for choosing Gamber-Johnson.

Welcome to your new **Gamber-Johnson Tablet Cradle**—engineered for **mission-critical reliability** in the toughest environments. At Gamber-Johnson, we understand that your technology is more than a tool; it's a lifeline. That's why our rugged mounting solutions and docking stations are designed to integrate seamlessly with your equipment, ensuring **secure connections** and **reliable performance** wherever your job takes you.

This guide will walk you through the safe and effective installation of your **Tablet Cradle**.

Inside, you'll find:

- Inventory list of what's included
- Step-by-step installation instructions
- Images for easy reference
- Essential safety information to ensure proper setup and operation

Our commitment to **quality**, **durability**, and **rugged reliability** is built into every product we make.

Important: Before you begin, please carefully review all safety instructions provided in this guide. For vehicle applications, we recommend professional installation by qualified technicians with experience in automotive electrical systems and aftermarket vehicle equipment installation.

For additional product information, installation tips, or support, please contact your Gamber-Johnson representative at **+1 800.756.9198** or visit **www.gamberjohnson.com**.

PAGE	SECTION
1	Cover Page
2	Introduction
3	Table Of Contents
4	Components Included
5	Notes
6	Feature Identification
7	Safety Information
8-9	Pre Installation Recommendations
10	Installation
11	Docking & Undocking
12	Warranty

COMPONENTS INCLUDED



QTY	P/N	DESCRIPTION
1	7160-1299-XX	Universal Tablet Cradle

QTY	P/N	DESCRIPTION
1	7120-0906	Hardware Bag – Universal Tablet Cradle



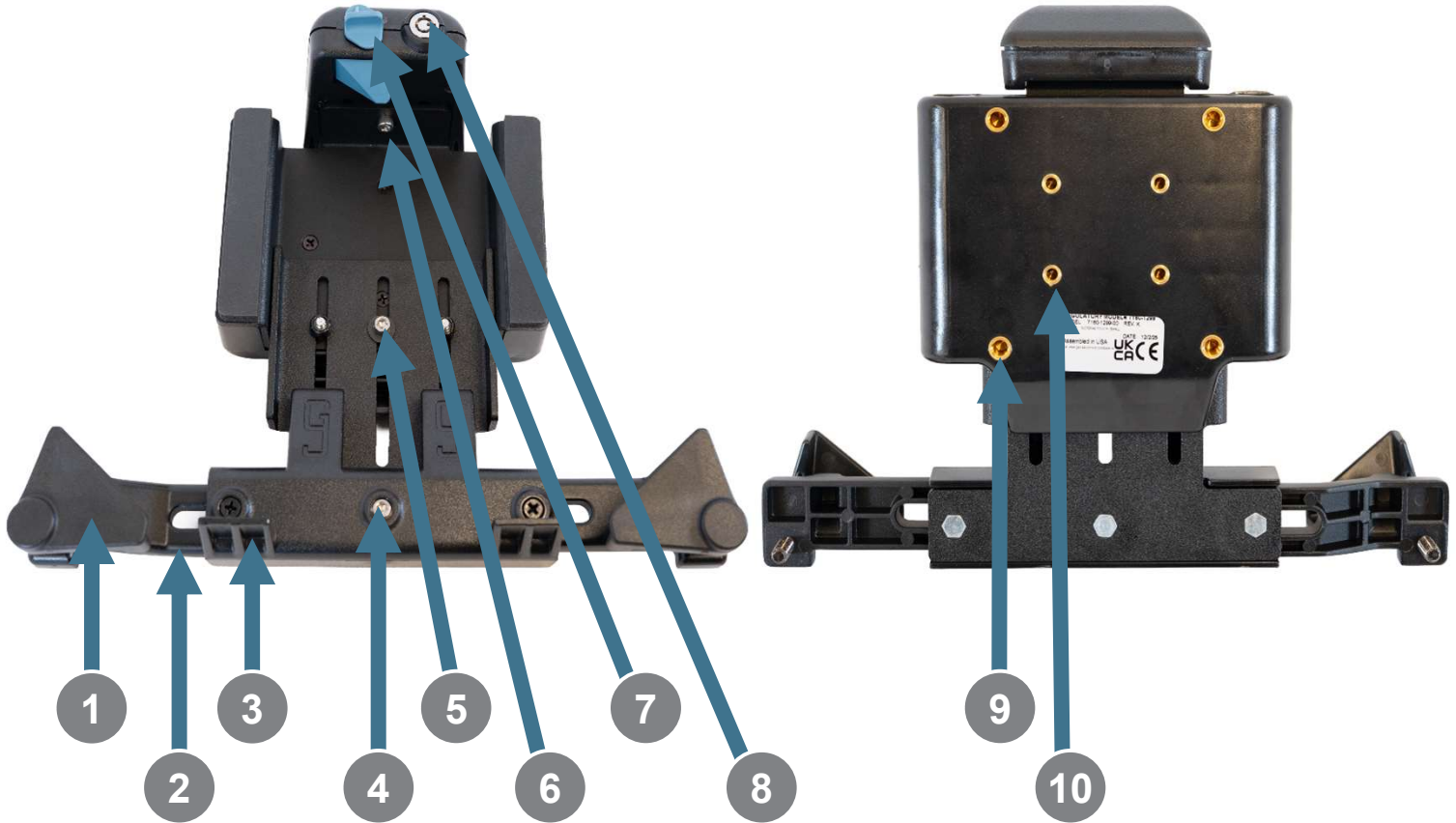
QTY	P/N	DESCRIPTION
1	N/A	Keys

This Product Guide is for the **Universal Tablet Cradle**.

Before you begin installation, please review all safety instructions to ensure proper setup. For instructions on computer features, setup, and operation, refer to your device's manual.

This tablet cradle is designed to work seamlessly with Gamber-Johnson's extensive line of rugged mounting systems. Visit www.gamberjohnson.com/products to explore our full range of solutions and accessories. Installation instructions for additional Gamber-Johnson products are included with each individual product.

For additional product information, installation tips, or support, please contact your Gamber-Johnson representative at **+1 800.756.9198**.



	DESCRIPTION
1	Lower Ears
2	Lower Arms
3	Bottom Tabs
4	Adjustment Screw #3 – Adjusts Lower Arm Width
5	Adjustment Screw #2 - Adjusts Cradle Height
6	Adjustment Screw #1 – Adjusts Latch Depth
7	Thumb Latch
8	Keyed Lock
9	¼"-20 Threaded Inserts - VESA 75 Mounting Pattern
10	#10-32 Threaded Inserts - AMP's Mounting Pattern

Safety is dependent on the proper installation and servicing of this tablet cradle. It is important to read and follow all instructions before installing this product.

To properly install a Gamber-Johnson tablet cradle you must have a good understanding of automotive electrical procedures and systems, along with proficiency in the installation and service of aftermarket vehicle equipment.

There are no adjustments required at any time of the components within the tablet cradle. **Opening the tablet cradle will void the product warranty.**

During Installation:

- Do not use this tablet cradle until:
 - Mounting of all components is complete

After Installation:

- Test the tablet cradle to ensure that it is working properly.

General Safety Notes:

- Do not install equipment or route wires or cords in the deployment path of any air bag.
- When drilling into the vehicle, DO make sure that both sides of the surface are clear of anything that could be damaged.

CAUTION

If wiring is shorted to the frame, high current conductors can cause hazardous sparks resulting in electrical fires or flying molten metal.

WARNING

Failure to follow all safety precautions and instructions may result in property damage, serious injury, or death.

File these instructions in a safe place and refer to them when performing maintenance or reinstalling.

1. It is recommended to adjust the tablet cradle to fit the tablet before installation.
2. All adjustments are made using the 9/64" hex key provided in hardware bag 7120-0906.

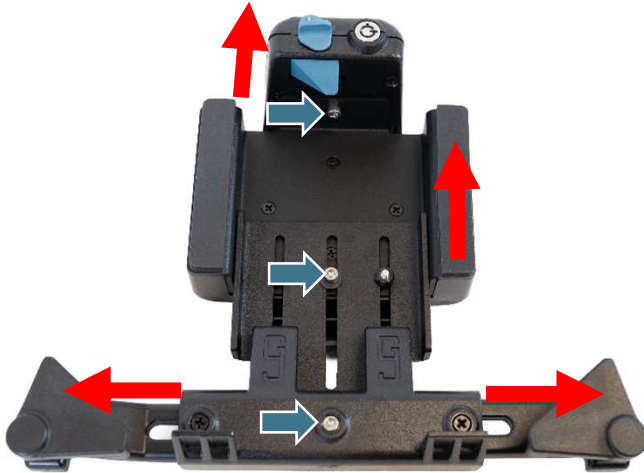


Figure 1



Figure 2

1. Loosen the 3 adjustment screws and fully extend the cradle. Do not remove the screws. (Figure 1)
2. Adjust the height of the ears by rotating them (CW to lower, CCW to raise) just enough to allow the tablet to fit under them. Do not fully remove the ears. (Figure 2)



Figure 3



Figure 4

1. With the slam latch housing in the extended position, insert the tablet under the slam latch. Slide the slam latch onto the front of the tablet.
2. Hold the slam latch housing in place and remove the tablet. Tighten screw #1.
3. Test fit tablet ensuring slam latch fully springs down to hold the tablet securely. (Figure 3)
4. Insert the tablet into the cradle and slide the bottom tabs up until they contact the tablet.
5. Using caution to not move the bottom tabs, remove the tablet and tighten screw #2.
6. Test fit the table ensuring a snug fit of the tablet between the bottom tabs and the slam latch housing. (Figure 4)



Figure 5



Figure 6

1. Insert the tablet into the cradle and slide the arms inward until the ears contact the bottom corners of the tablet. (Figure 5)
2. Using caution to not move the arms, remove the tablet and tighten screw #3.
3. Test fit the tablet ensuring a snug fit of the ears to the tablet but not pinching. (Figure 6)



Figure 7



Figure 8

1. (Optional) To keep the ears from rotating without a tablet inserted in the cradle, install the 1/4"-20 Nylock nuts from hardware bag 7120-0906 onto the ear studs and tighten against the arms while holding the ears in position. (Figures 7 and 8)

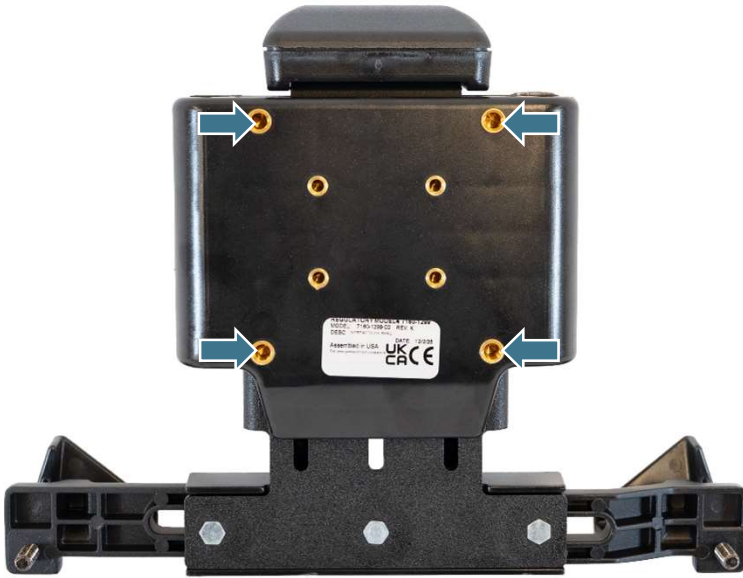


Figure 9

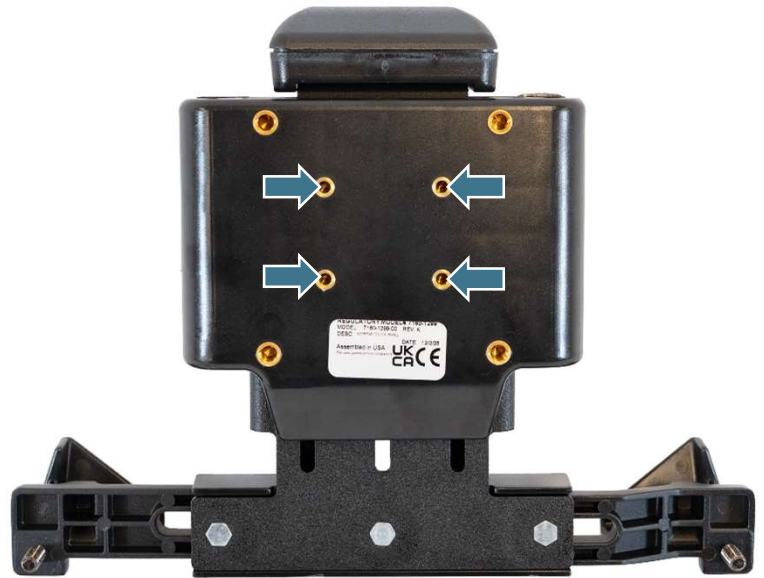


Figure 10

1. If a mount with a VESA 75 pattern is being used to mount the cradle use the 1/4"-20 bolts and washers from hardware bag 7120-0906. (Figure 9)
2. If a mount with an AMPS pattern is being used to mount the cradle use the #10-32 screws and washers from hardware bag 7120-0906. (Figure 10)

Operation: Docking

1. Insert the bottom of the tablet into the cradle. (Figure 11)
2. Rotate the top of the tablet under the top latch until the tablet is resting inside the main housing. The latch will spring down in front of the tablet to hold it in place. (Figure 12)
3. (Optional) Turn the lock 90 degrees CCW to lock the tablet in cradle. (Figure 13)



Figure 11



Figure 12

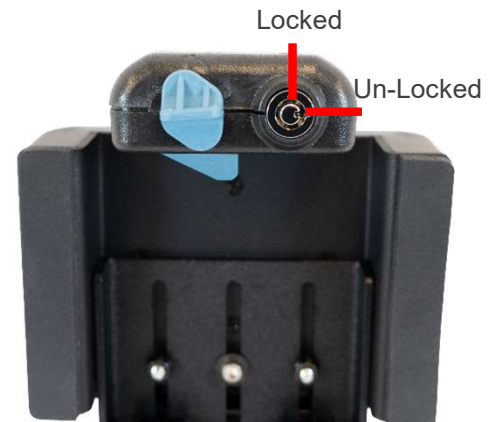


Figure 13

Operation: Un-Docking

1. Unlock the cradle if previously locked. Turn the lock 90 degrees CW.
2. Push upward on the thumb latch and pull outward on the top of the tablet until it clears the latch. (Figures 14 and 15)
3. Lift the tablet up and out of the cradle. (Figure 16)



Figure 14



Figure 15



Figure 16



SCAN HERE TO VIEW WARRANTY INFORMATION

www.gamberjohnson.com/product-services/warranty-information

Product Mounting Disclaimer

Gamber-Johnson is not liable under any theory of contract or tort law for any loss, damage, personal injury, special, incidental or consequential damages for personal injury or other damage of any nature arising directly or indirectly as a result of the improper installation or use of its products in vehicle or any other application. In order to safely install and use Gamber-Johnson products full consideration of vehicle occupants, vehicle systems (i.e., the location of fuel lines, brake lines, electrical, drive train or other systems), air-bags and other safety equipment is required. Gamber-Johnson specifically disclaims any responsibility for the improper use or installation of its products not consistent with original vehicle manufactures specifications and recommendations, Gamber-Johnson product instruction sheets, or workmanship standards as endorsed through the Gamber-Johnson Certified Installer Program.

© Copyright 2026 Gamber-Johnson, LLC

QUESTIONS OR NEED MORE INFORMATION?

NO PROBLEM, WE'RE HERE TO HELP!

Call us at: **+1 800.756.9198**

Email us at: sales@gamberjohnson.com

Visit www.gamberjohnson.com to see our complete line of solutions and hang with us on social media at [@gamberjohnson](https://www.instagram.com/gamberjohnson)