



PRODUCT GUIDE

MOTION DEVICE SIDE MOUNT

PRODUCT NUMBER(S)

7160-2256 – INWARD MOUNT

7160-2257 – OUTWARD MOUNT



For more language options and/or questions, please contact a Gamber-Johnson representative at **+1 800.756.9198**

Since 1954, we have been dedicated to providing **RUGGED**, **RELIABLE**, and **RESPONSIVE** solutions that empower professionals in the field.

Thank you for choosing Gamber-Johnson.

Welcome to your new **Gamber-Johnson Side Mount**—engineered for **mission-critical reliability** in the toughest environments. At Gamber-Johnson, we understand that your technology is more than a tool; it's a lifeline. That's why our rugged mounting solutions and docking stations are designed to integrate seamlessly with your equipment, ensuring **secure connections** and **reliable performance** wherever your job takes you.

This guide will walk you through the safe and effective installation of your **Side Mount**.

Inside, you'll find:

- Inventory list of what's included
- Step-by-step installation instructions
- Images for easy reference
- Essential safety information to ensure proper setup and operation

Our commitment to **quality**, **durability**, and **rugged reliability** is built into every product we make.

Important: Before you begin, please carefully review all safety instructions provided in this guide. For vehicle applications, we recommend professional installation by qualified technicians with experience in automotive electrical systems and aftermarket vehicle equipment installation.

For additional product information, installation tips, or support, please contact your Gamber-Johnson representative at **+1 800.756.9198** or visit **www.gamberjohnson.com**.

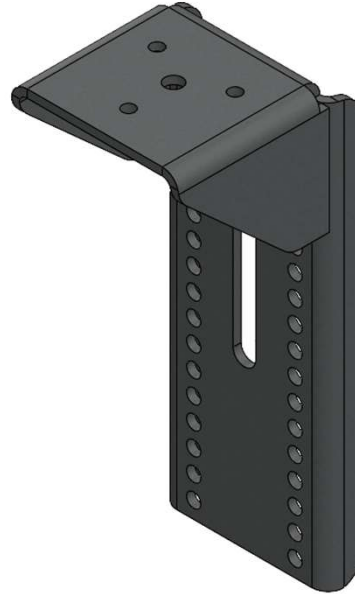
| PAGE | SECTION |
|-------------|-------------------------------|
| 1 | Cover Page |
| 2 | Introduction |
| 3 | Table Of Contents |
| 4-5 | Components Included |
| 6 | Feature Identification |
| 7 | Safety Information |
| 8 | Installation |
| 9 | Warranty |

PRODUCT NUMBER

7160-2256



| QTY | P/N | DESCRIPTION |
|-----|-------|--------------|
| 1 | 13084 | Backup Plate |



| QTY | P/N | DESCRIPTION |
|-----|-------|-------------------------|
| 1 | 22524 | Plate - Side Mount - IN |



| QTY | P/N | DESCRIPTION |
|-----|-----------|--------------|
| 1 | 7120-0566 | Hardware Bag |

PRODUCT NUMBER

7160-2257



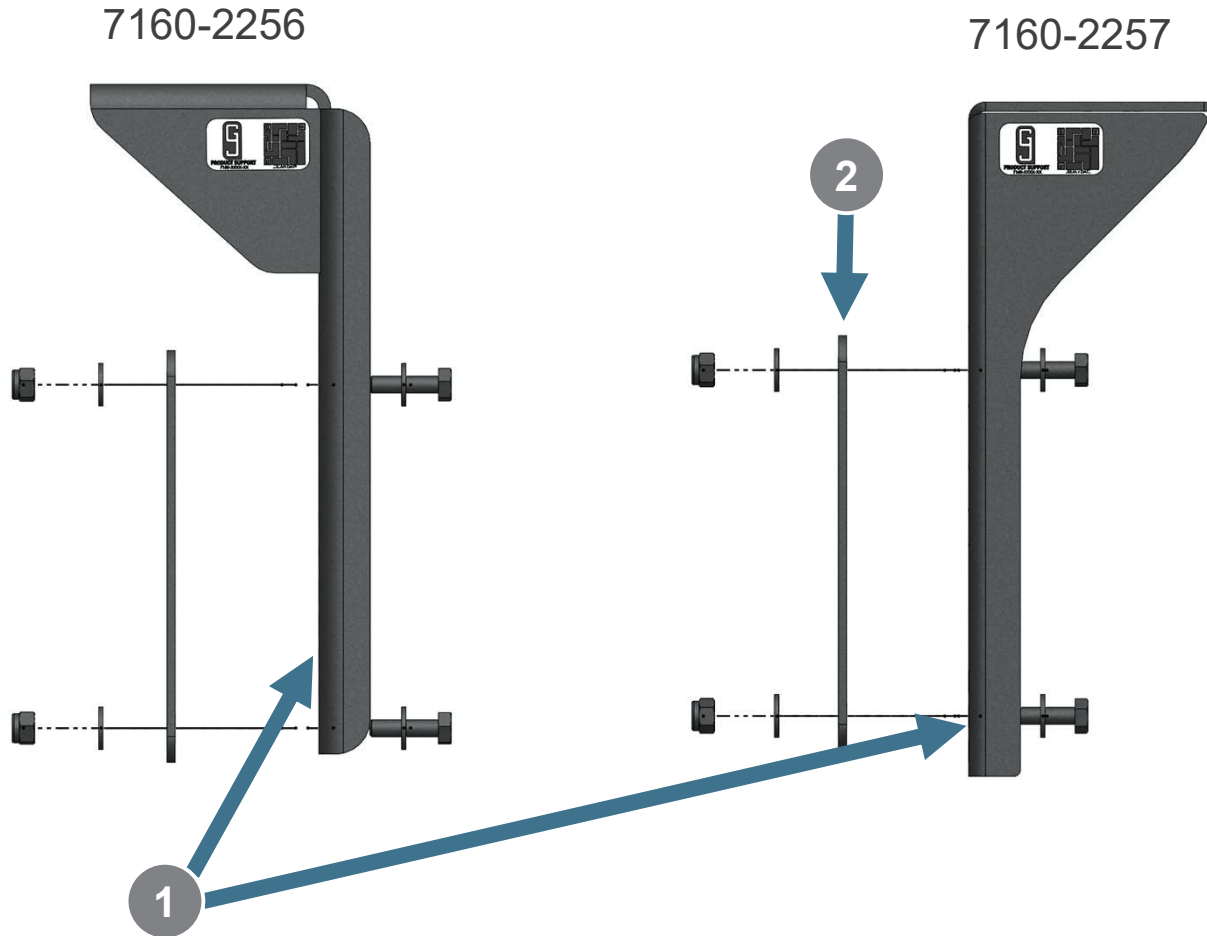
| QTY | P/N | DESCRIPTION |
|-----|-------|--------------|
| 1 | 13084 | Backup Plate |



| QTY | P/N | DESCRIPTION |
|-----|-------|--------------------------|
| 1 | 19416 | Plate - Side Mount - OUT |



| QTY | P/N | DESCRIPTION |
|-----|-----------|--------------|
| 1 | 7120-0566 | Hardware Bag |



| | DESCRIPTION |
|---|---|
| 1 | Mounting Surface |
| 2 | Backer Plate - (Can be used for support or as a spacer) |

WARNING

You must read and follow all of these installation instructions. Failure to follow the installation instructions may result in serious bodily injury or death

DO NOT install or use this assembly in the area in which the airbag on the vehicle may be deployed. The installer and user of this assembly are responsible for installing and using this assembly outside the area in which an airbag may be deployed. (See Product Mounting Disclaimer Below)

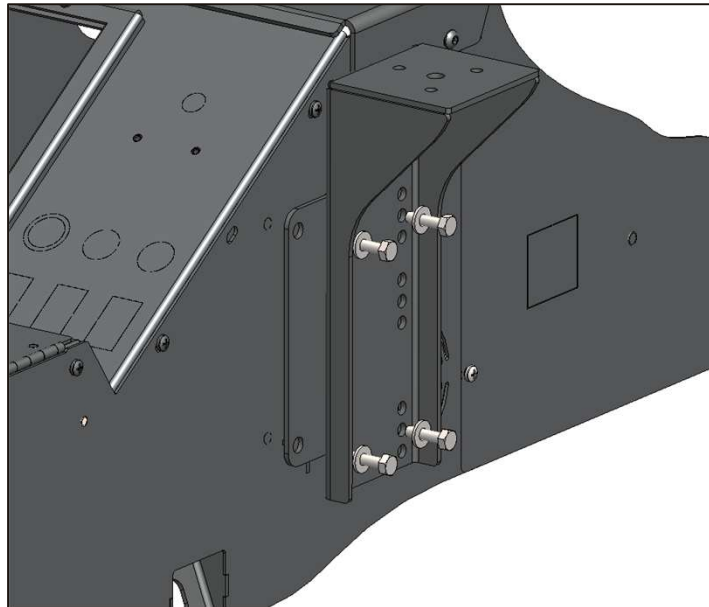
If the installation of the equipment requires that the equipment (or any additional equipment that is added to the installation) be placed in front of an airbag, the airbag should be deactivated. In order to secure permission for deactivating the airbag you must contact the National Highway Traffic Safety Administration at 1-800-424-9393 to gain permission to do so. If you have any questions or need assistance, call Gamber-Johnson at **+1 800-456-6868**.

High speed vehicle turns may cause parts of the assembly to swivel, interfering with the driver or other equipment.

Keep these installation instructions with the product and readily available in the vehicle for future reference of other users of the product.

Additional copies of the installation instruction can be obtained from Gamber-Johnson. If you need assistance or have any questions, go to www.gamberjohnson.com or call Gamber-Johnson at **+1 800-456-6868**.

DO NOT remove any warning labels from the product under any circumstances.



1. Place the MOTION ATTACHEMENT SIDE MOUNT in the desired location, mark the holes and drill four (4) 9/32" clearance holes.
2. The provided BACKUP PLATE can be used for support or for a spacer to offset the mount from the mounting surface.
3. Using the provided hardware from hardware bag 7120-0566, fasten the MOTION ATTACHEMENT SIDE MOUNT to the desired location.

NOTE: Some products may already provide optimally positioned mounting clearance holes via 1/4" knockouts as shown above on P/N 7160-2022 – Tahoe 2025+ Widebody Consoles.



SCAN HERE TO VIEW WARRANTY INFORMATION

www.gamberjohnson.com/product-services/warranty-information

Product Mounting Disclaimer

Gamber-Johnson is not liable under any theory of contract or tort law for any loss, damage, personal injury, special, incidental or consequential damages for personal injury or other damage of any nature arising directly or indirectly as a result of the improper installation or use of its products in vehicle or any other application. In order to safely install and use Gamber-Johnson products full consideration of vehicle occupants, vehicle systems (i.e., the location of fuel lines, brake lines, electrical, drive train or other systems), air-bags and other safety equipment is required. Gamber-Johnson specifically disclaims any responsibility for the improper use or installation of its products not consistent with original vehicle manufactures specifications and recommendations, Gamber-Johnson product instruction sheets, or workmanship standards as endorsed through the Gamber-Johnson Certified Installer Program.

© Copyright 2026 Gamber-Johnson, LLC

QUESTIONS OR NEED MORE INFORMATION?

NO PROBLEM, WE'RE HERE TO HELP!

Call us at: **+1 800.756.9198**

Email us at: sales@gamberjohnson.com

Visit www.gamberjohnson.com to see our complete line of solutions and hang with us on social media at [@gamberjohnson](https://www.instagram.com/gamberjohnson)